

**Converts a Magnetic speed sensor
signal into CANopen® to communicate
with machine control systems**

Features:

- 1 Magnetic Pick-up type input for interface with a sensor
- 1 CAN port (CANopen®)
- Operational 8...60 Vdc (12 Vdc, 24Vdc or 48 Vdc)
- Integrated 6-pin connector (TE Deutsch equivalent)
- Compact, fully sealed enclosure, IP67
- Meets the surge requirements of DIN EN 13309
- CE/UKCA marking
- EDS file

Applications:

- Power Generator Set control systems
- Machine engine control systems



Ordering Part Numbers:

Magnetic Pick-up / CAN Converter, CANopen® - P/N: **AX031501**
EDS File is available from www.axiomatic.com. Go to the log-in section and select User Manuals. Scroll down to the p/n.

Accessories:

Mating Plug KIT: **AX070119**

Technical Specifications:

Specifications are indicative and subject to change. Actual performance will vary depending on the application and operating conditions. Users should satisfy themselves that the product is suitable for use in the intended application. All our products carry a limited warranty against defects in material and workmanship. Please refer to our Warranty, Application Approvals/Limitations and Return Materials Process as described on <https://www.axiomatic.com/service/>.

Power

Power Supply Input - Nominal	12 V, 24V or 48 Vdc nominal; 8...60 Vdc The minimum allowable supply voltage for the power pin is 7 Vdc.
Surge Protection	Meets the surge requirements of DIN EN13309
Reverse Polarity Protection	Provided

Input

Input	1 Magnetic Pick-up type input Frequency Range: 0.5 Hz to 20 kHz Amplitude: 100 mVAC to 100VAC (RMS)
-------	---

General Specifications

Microcontroller	STM32F103CBT7, 32-bit, 128 Kbytes Flash Program Memory																
CAN Port	1 CANopen®																
Control Logic	The Converter comes pre-programmed with standard logic. Refer to the user manual.																
Sampling Time	The input is tied to a 16-bit timer.																
Quiescent Current Draw	9.1 mA @ 24Vdc; 16 mA @ 12Vdc Typical																
Operating Temperature	-40 to 85°C (-40 to 185°F)																
Storage Temperature	-50 to 125°C (-58 to 257°F)																
Weight	0.10 lb. (0.045 kg)																
Protection Rating	IP67																
EMC Compliance	CE/UKCA marking																
Vibration	MIL-STD-202G, Test 204D and 214A (Sine and Random) 10 g peak (Sine); 7.86 Grms peak (Random)																
Shock	MIL-STD-202G, Test 213B, 50 g																
Enclosure and Dimensions	Plastic Enclosure, Nylon 6-6 with 30% glass fill Integral connector (TE Deutsch equivalent) Refer to Figure 1.0.																
Electrical Connections	6-pin connector (equivalent TE Deutsch P/N: DT04-6P) A mating plug kit is available as Axiomatic P/N: AX070119 . <table border="1" data-bbox="597 1234 1024 1451"> <thead> <tr> <th colspan="2">CAN and I/O Connector</th> </tr> <tr> <th>Pin #</th> <th>Description</th> </tr> </thead> <tbody> <tr> <td>1</td> <td>BATT+</td> </tr> <tr> <td>2</td> <td>Input +</td> </tr> <tr> <td>3</td> <td>CAN_H</td> </tr> <tr> <td>4</td> <td>CAN_L</td> </tr> <tr> <td>5</td> <td>Input GND</td> </tr> <tr> <td>6</td> <td>BATT-</td> </tr> </tbody> </table>	CAN and I/O Connector		Pin #	Description	1	BATT+	2	Input +	3	CAN_H	4	CAN_L	5	Input GND	6	BATT-
CAN and I/O Connector																	
Pin #	Description																
1	BATT+																
2	Input +																
3	CAN_H																
4	CAN_L																
5	Input GND																
6	BATT-																
S/W Reflashing	Axiomatic Electronic Assistant KIT, P/Ns: AX070502 , AX070505K , or AX070506K																

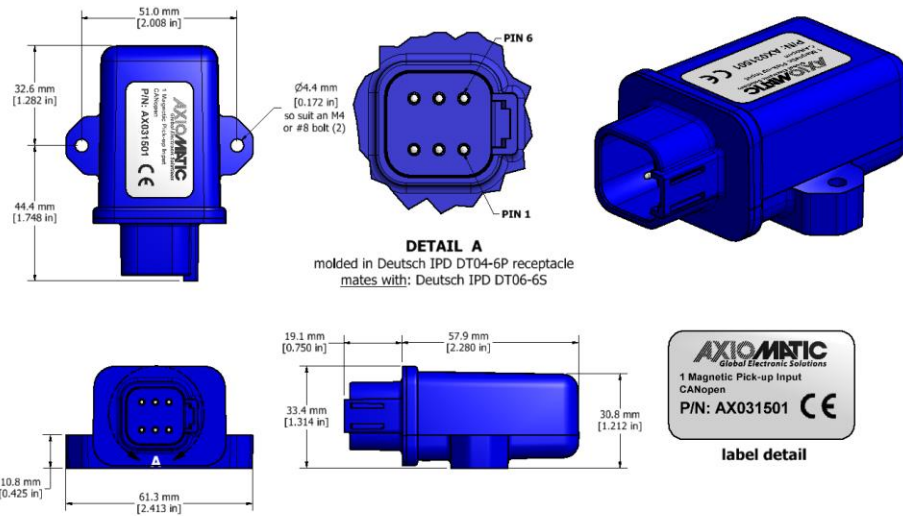


Figure 1.0 – Dimensional Drawing

CANopen® is a registered community trademark of CAN in Automation e.V.

Form: TDAX031501-05/31/23