

TECHNICAL DATASHEET #TDAX022200
Single Valve Controller
 CAN (SAE J1939)
 with Axiomatic Electronic Assistant
 P/N: AX022200

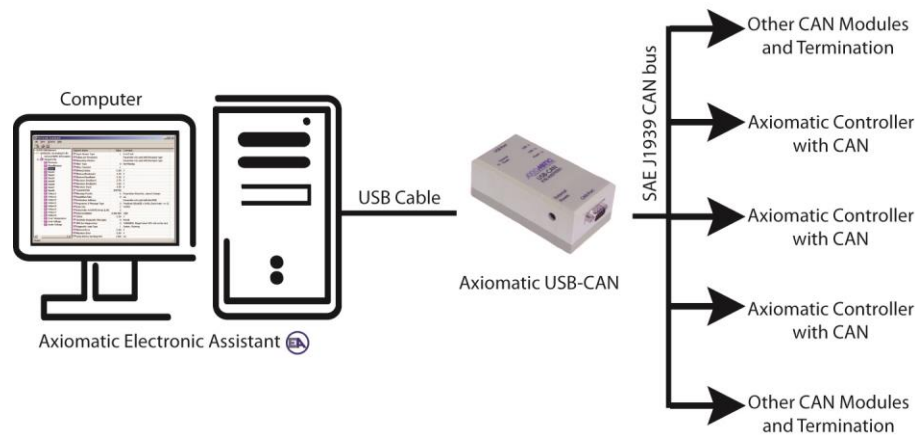
Features:

- 1 PWM proportional (0-2A) or on/off output (0-3A)
- 12V, 24V or 48VDC input power (nominal) with reverse polarity and transient protection
- 1 CAN (SAE J1939)
- CANopen® available on request
- Rugged packaging and connectors
- EMC compliant (CE mark)
- The **Axiomatic Electronic Assistant** runs on a *Windows* operating system for user configuration and programming. An Axiomatic USB-CAN converter links the PC to the CAN bus.



Applications:

- Distributed controls for machine control
- Distributed controls for commercial vehicles, off-highway equipment, industrial equipment, etc.



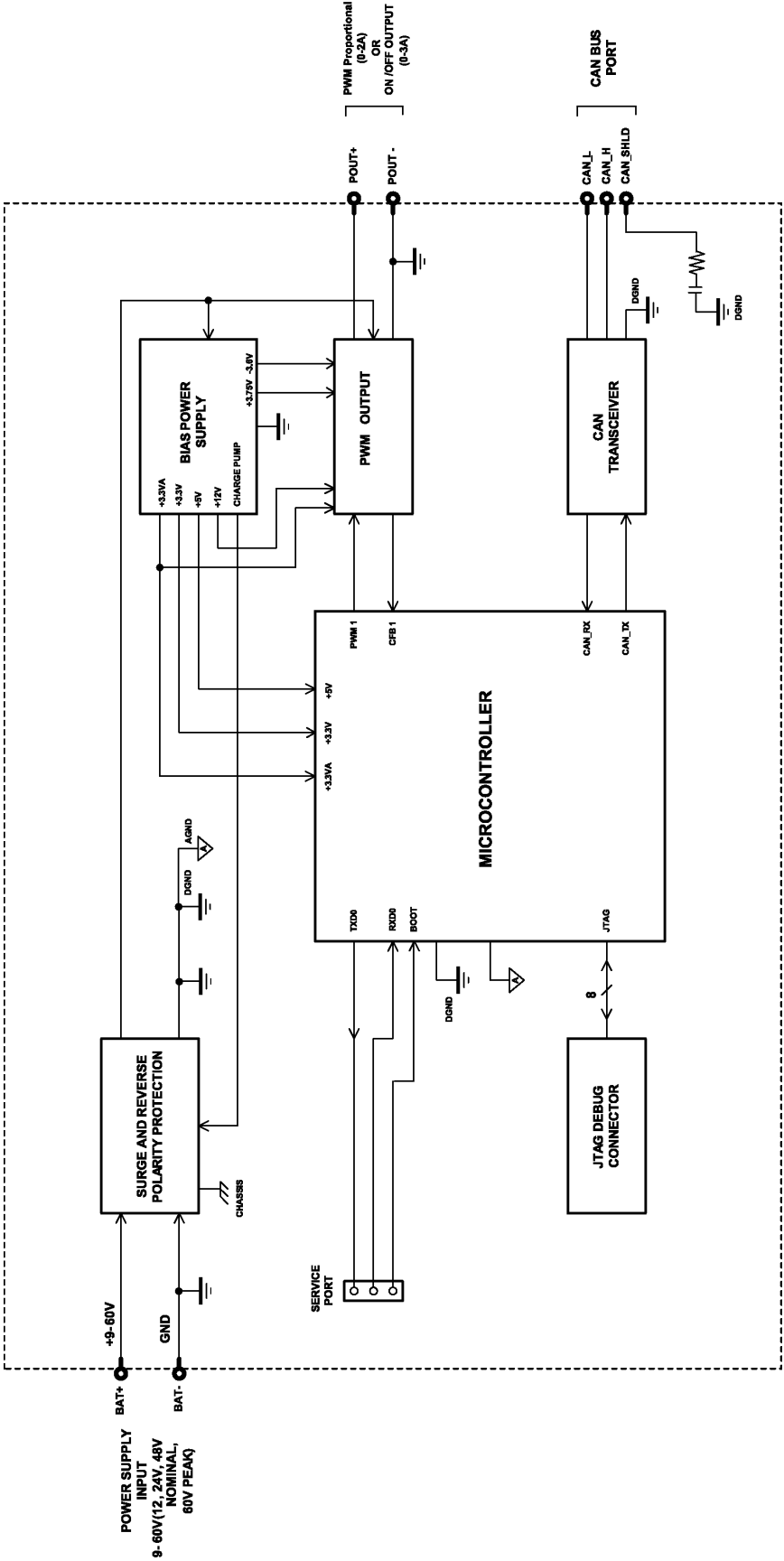
Ordering Part Numbers:

SAE J1939 Single Valve Controller, 250 kbps: **AX022200**
 SAE J1939 Single Valve Controller, 500 kbps: **AX022200-01**
 SAE J1939 Single Valve Controller, 1 Mbps: **AX022200-02**

Accessories:

AX070112 (Comprised of DT06-8SA, W8S, 7 pcs. 0462-201-16141, 1 pc. 114017)
 Axiomatic Electronic Assistant Configuration KIT: **AX070502, AX070505K, or AX070506K**

BLOCK DIAGRAM



Technical Specifications:

Specifications are indicative and subject to change. Actual performance will vary depending on the application and operating conditions. Users should satisfy themselves that the product is suitable for use in the intended application. All our products carry a limited warranty against defects in material and workmanship. Please refer to our Warranty, Application Approvals/Limitations and Return Materials Process as described on <https://www.axiomatic.com/service/>.

Input Specifications

Power Supply Input	12V, 24V or 48VDC nominal (9...60 VDC power supply range)
Protection	Transient and reverse polarity protection is provided.
CAN	SAE J1939 Signals and Control Commands The output can be controlled by one or several application specific single frame CAN messages.

Output Specifications

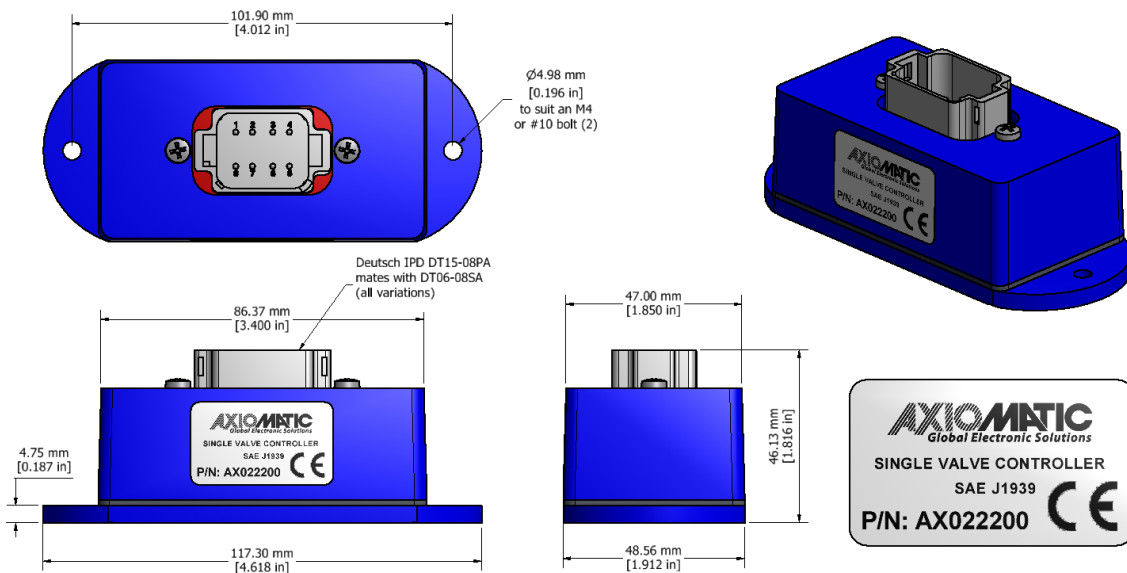
Output	1 PWM proportional (up to 2A) or On/Off Output (up to 3A) High Side Switch, Current Sensing, Grounded Load The user can select the following options for output using the Axiomatic EA. <ul style="list-style-type: none">• Output Disable• Discrete Output (On, Off)• Output Current (PID loop*, with current sensing)• Output Voltage• Output PWM Duty Cycle *Parameters are password protected. Overvoltage/undervoltage shutdown of the output load is provided.
Output Accuracy	Output Current mode $\leq 2\%$ Output Voltage mode $\leq 3\%$ Output PWM Duty Cycle mode $\leq 3\%$
Protection for Output + Terminal	Fully protected against short circuit to ground and short circuit to power supply rail. Unit will fail safe in the case of a short circuit condition, self-recovering when the short is removed.

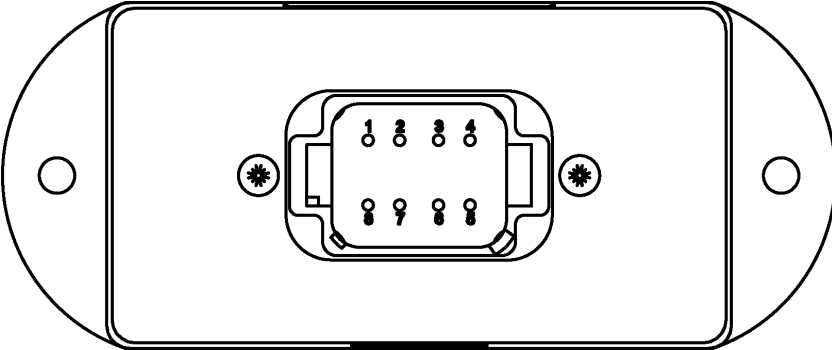
General Specifications

Microprocessor	32-bit, 128 KByte flash program memory
Control Logic	Standard embedded software is provided. Refer to Figure 1.0. (Application-specific control logic or factory programmed setpoints are available on request.) The controller belongs to a family of Axiomatic smart controllers with programmable internal architecture. This provides users with an ultimate flexibility, allowing them to build their own custom controller with a required functionality from a set of predefined internal functional blocks using the PC-based Axiomatic Electronic Assistant software tool. Application programming is performed through CAN interface, without disconnecting the controller from the user's system.
CAN	1 CAN port (SAE J1939), CANopen® is available on request. Model AX022200: 250 kbps baud rate Model AX022200-01 500 kbps baud rate Model AX022200-02 1 Mbps baud rate.
Slew Rate	To adjust the controller to the CAN physical network, the slew rate can be configured as fast or slow. Refer to the User Manual for details.
Network Termination	It is necessary to terminate the network with external termination resistors. The resistors are 120 Ohm, 0.25W minimum, metal film or similar type. They should be placed between CAN_H and CAN_L terminals at both ends of the network.
EMC Compliance	CE marking
User Interface	The controller setpoints can be viewed and programmed using the standard J1939 memory access protocol through the CAN port and the PC-based Axiomatic Electronic Assistant. For default setpoints, refer to the User Manual. The Axiomatic EA can store all controller setpoints in one setpoint file and then flash them into the controller in one operation. The setpoint file is created and stored on disk using a command <i>Save Setpoint File</i> from the Axiomatic EA menu or toolbar. The user then can open the setpoint file, view or print it and flash the setpoint file into the controller. The Axiomatic Electronic Assistant for <i>Windows</i> operating systems comes with a royalty-free license for use on multiple computers. It requires an Axiomatic USB-CAN converter to link the device's CAN port to a <i>Windows</i> -based PC. Ordering P/N: AX070502.
Quiescent Current Draw	Typical: 33 mA @ 12V, 19 mA @ 24V, 13 mA @ 48V
Weight	0.65 lb. (0.29 kg)
Operating Conditions	-40 to 85 °C (-40 to 185 °F)
Storage Temperature	-55 to 125 °C (-67 to 257°F)

Protection	IP67 rating for the product assembly
Enclosure	Encapsulated Cast Aluminum housing with mounting holes 4.62 x 1.91 x 1.76 inches (117.30 x 48.56 x 44.73 mm) L x W x H including integral connector
Mounting	Mounting holes – The controller accepts 2 #10 or M4 screws. The CAN wiring is considered intrinsically safe. The power wires are not considered intrinsically safe and so in hazardous locations, they need to be located in conduit or conduit trays at all times. The module must be mounted in an enclosure in hazardous locations for this purpose. All field wiring should be suitable for the operating temperature range. Install the unit with appropriate space available for servicing and for adequate wire harness access (6 inches or 15 cm) and strain relief (12 inches or 30 cm).

Dimensional Drawing



Electrical Connections	 <p>8-pin plug (equivalent TE Deutsch P/N: DT15-8PA)</p> <p>Mating plug KIT: Axiomatic P/N AX070112 (Equivalent to the TE Deutsch P/N's: DT016-8SA socket, wedge W8S, 7 solid contact sockets 0462-201-16141 and 1 sealing plug 114017.)</p> <p>16-18 AWG wire is recommended for use with sockets 0462-201-16141.</p> <p>Wiring to these mating plugs must be in accordance with all applicable local codes.</p>
------------------------	---

Suitable field wiring for the rated voltage and current must be used. The rating of the connecting cables must be at least 70°C. Use field wiring suitable for both minimum and maximum ambient temperature.		
PIN #	Name	FUNCTION
1	POUT+	VALVE OUTPUT +
8	BAT+	POWER +
2	POUT-	VALVE OUTPUT -
7	BAT-	POWER -
3	CAN_SHLD	CAN Shield
6	CAN_L	CAN Low
4	-----	NOT USED
5	CAN_H	CAN High

Control Logic

The controller consists of a set of internal functional blocks, which can be individually programmed and arbitrarily connected together to achieve the required system functionality, Fig. 1. The AX022200 is user programmable for functionality using the Axiomatic Electronic Assistant.

There are two types of the controller functional blocks. One type represents the controller hardware resources, for example the analog signal input block. The other type is purely logical – these functional blocks are included to program the user defined functionality of the controller. The number and functional diversity of these functional blocks are only limited by the system resources of the internal microcontroller. They can be added or modified on the customer’s request to accommodate user-specific requirements.

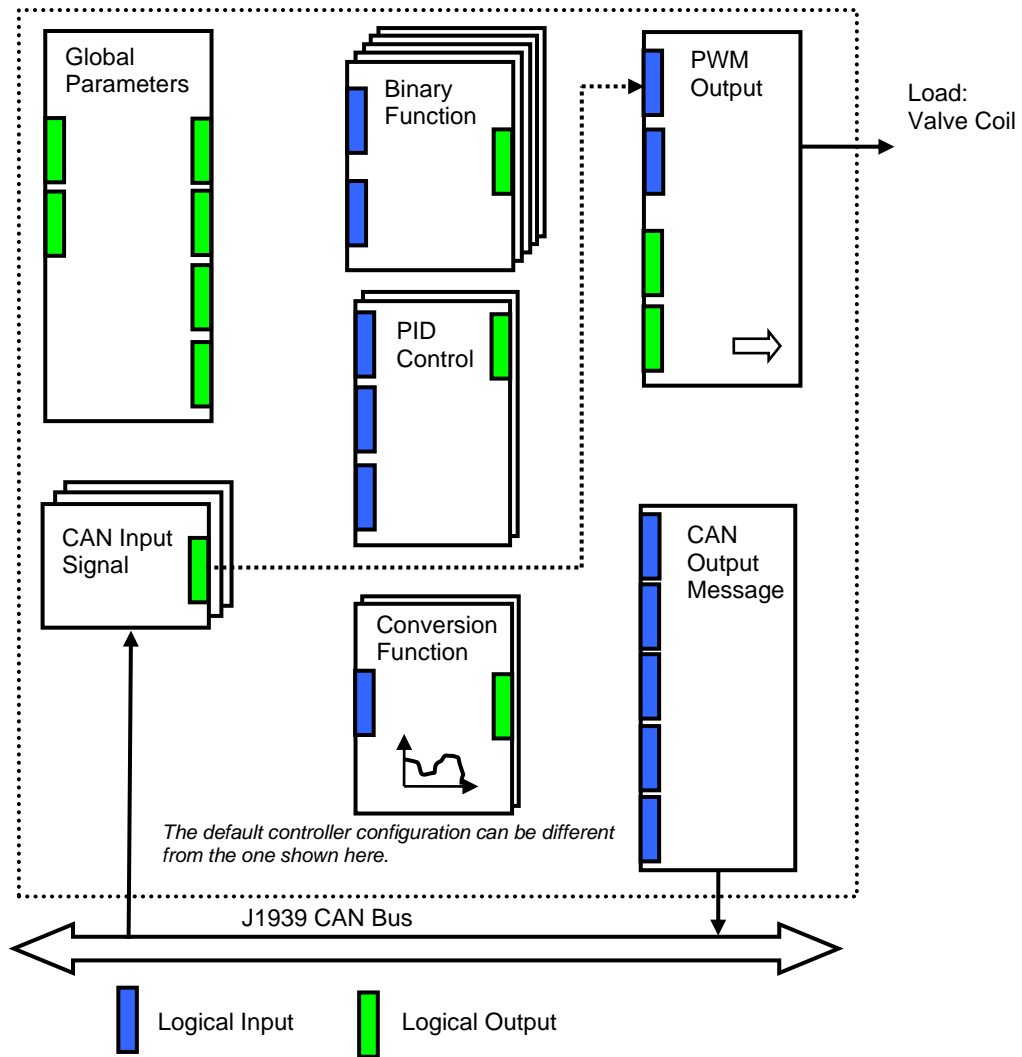
The user can build virtually any type of a custom control by logically connecting inputs and outputs of the functional blocks. This approach gives the user an absolute freedom of customization and an ability to fully utilize the controller hardware resources in a user’s application.

Depending on the block functionality, a functional block can have: logical inputs, logical outputs or any combinations of them. The connection between logical inputs and outputs is defined by logical input setpoints. The following rules apply:

- A logical input can be connected to any logical output using a logical input setpoint.
- Two or more logical inputs can be connected to one logical output.
- Logical outputs do not have their own setpoints controlling their connectivity. They can only be chosen as signal sources by logical inputs.

Each functional block of the controller is presented by its own folder in the Setpoint File root folder in the Axiomatic Electronic Assistant.

Refer to the User Manual for more details.



As an example, the logical output of the CAN Input Signal functional block is connected to the logical input of the PWM Output functional block, providing a direct path for the CAN input signal to the controller output.

Figure 1. The Controller Internal Structure

Note: CANopen® is a registered community trademark of CAN in Automation e.V.

Form: TDAX022200-08/17/23