

CAN Valve Controller, DIN43650A

CANopen®
Single Output
M12 Connector
P/N: AX021101

Features:

- 1 CANopen® port
- High frequency switching output (PWM)
- Drives one solenoid up to 2.5A
- Current sensing circuit maintains output regardless of changes in input voltage and coil resistance
- Short circuit proof (in case of solenoid failure or miswiring)
- Can hot swap
- 9-36Vdc (12V or 24Vdc nominal)
- -40 to +85°C operating temperature
- Mates to a DIN 43650A interface on a cartridge or block style solenoid valve
- M12 Connector
- IP67
- EDS File
- CE marking
- Vibration and shock compliance for off-highway applications



Ordering Part Numbers:

Valve Controller with CANopen®: **AX021101**

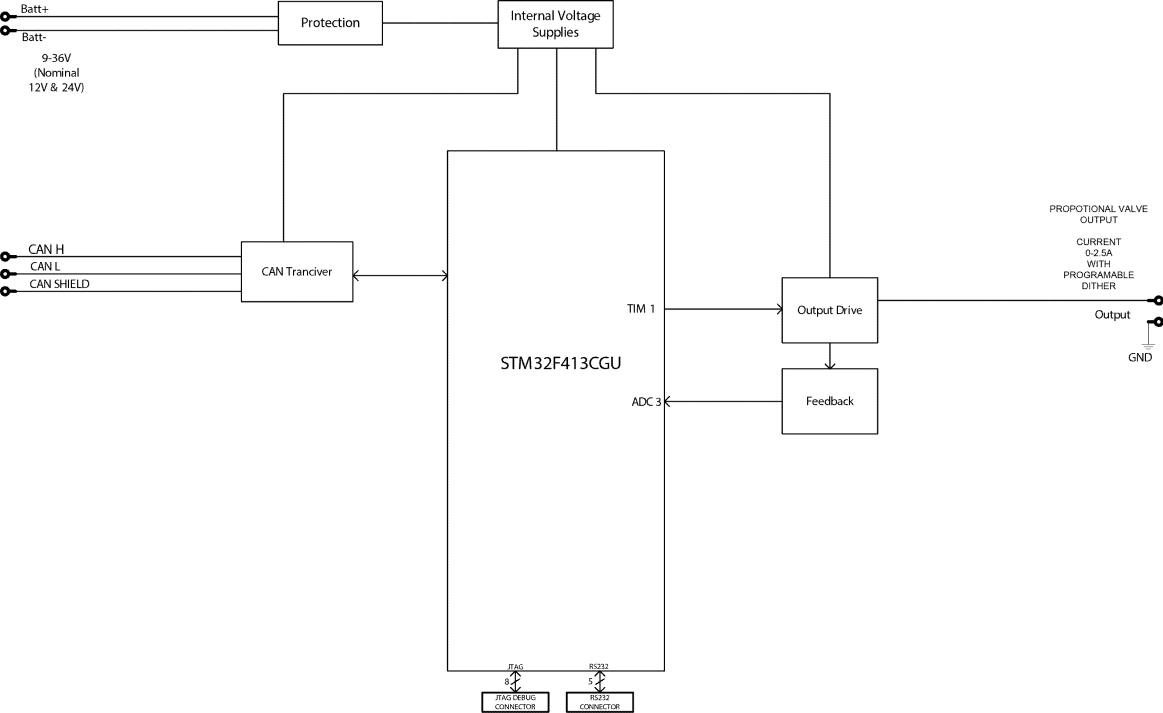
Accessories:

AX070139 M12 Mating Plug with 2 m cable, unterminated

Application: Accurate control of hydraulic and pneumatic proportional solenoid valves used in mobile construction equipment and industrial processes.

Description: The Valve Controller simplifies control of proportional solenoids by supplying a current proportional to an input control from the CAN bus (CANopen®). It accepts power supply voltages from 9 to 36 VDC. This linear solenoid driver utilizes high frequency switching output (PWM) to provide a DC current output. Maximum current output is up to 2.5 A. A current sensing circuit maintains output current regardless of changes in input voltage and coil resistance. The user can adjust maximum and minimum current. Ramp time, dither frequency and amplitude can also be adjusted to match the application. The unit is available with a DIN 43650 connection to mount directly on the coil. The setpoints are configurable using standard CANopen® configuration tools. An EDS file is provided. It has rugged packaging and performance for IP67, high vibration and off-highway machine environments. A 5-pin M12 connector is provided for power and CAN.

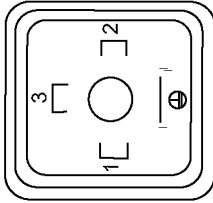
Block Diagram:



Technical Specifications:

Specifications are indicative and subject to change. Actual performance will vary depending on the application and operating conditions. Users should satisfy themselves that the product is suitable for use in the intended application. All our products carry a limited warranty against defects in material and workmanship. Please refer to our Warranty, Application Approvals/Limitations and Return Materials Process as described on <https://www.axiomatic.com/service/>.

Power Supply Input - Nominal	12Vdc or 24Vdc nominal (9...36 VDC power supply range)
Protection	Reverse polarity protection is provided. Overvoltage protection is provided.
CAN port	Model AX021101: 1 CANopen® For SAE J1939 model, refer to TDAX021100.
Range of maximum output current	Up to 2.5 A Minimum and maximum current are user adjustable. Overcurrent protection Short circuit protection in hardware 1mA resolution, accuracy +/-2% error
Output types	User configurable output types, including: <ul style="list-style-type: none"> • Proportional Current • Hotshot Current • PWM • Proportional Voltage • Digital ON/OFF
Solenoid resistance selection (nominal)	Nominal resistance of solenoid coil should comply with: $R_{coil} \leq (V_{power\ supply} - 1.5\ V)/I_{-max}$.
Current Ramp Ttime	User configurable 0 – 10 sec. independent
Dither Amplitude Current Dither Frequency	User configurable 0 to 10% of rated maximum current 50 to 400 Hz (+/-10% of full scale)
Microprocessor	STM32F413CGUx 32-bit, 1024 Kbit program flash
Quiescent Current	23 mA @ 12Vdc 14 mA @ 24Vdc Typical
Control Logic	User programmable functionality. Refer to User Manual UMAX021101.
User Interface	EDS File Standard CANopen® tools
Software Flashing	Not supported
Operating Conditions	-40 to 85 °C (-40 to 185 °F)
Protection	IP67 when correctly installed with lid, o-ring/washer and base gasket
Weight	0.15 lb. (0.068 kg)
Approvals	CE marking
Vibration (Pending)	MIL-STD-202G, Method 204D test condition C (Sine) and Method 214A, test condition B (Random) 10 g peak (Sine) 7.68 Grms peak (Random)
Shock (Pending)	MIL- STD-202G, Method 213B, test condition A 50g (half sine pulse, 9ms long, 8 per axis)
Enclosure	Hirschmann GDME 2011 black housing (PA material, 94 V1), central screw M3 x 40, transparent cover, washer and o-ring, nitrile rubber gasket DIN 43650-A contact arrangement with 18 mm spacing (plug-style to mount on valve) Contacts: Sn, PA, 94V1 Approvals: VDE, SEV, GL Refer to the dimensional drawing.

<p>Electrical Connections</p>	<p>One M12 5-position, A-coded Connector, Binder P/n: 09 0437 87 05</p> <p>1 Power + 2 Power - 3 CAN L 4 CAN H 5 CAN SH</p> <p>DIN 43650A connection to solenoid:</p> <p>NOTE: The EARTH pin (or GND) on the DIN43650A plug is not connected in the AX021101. So, the Input Signal shield wire should be drained at the equipment end.</p> <div style="text-align: center;">  </div>
<p>Mating Wire Harness</p>	<p>Ordering p/n AX070139</p> <p>5 pin A coded female straight plug, M12</p> <p>2 m unterminated jacketed wire harness</p>

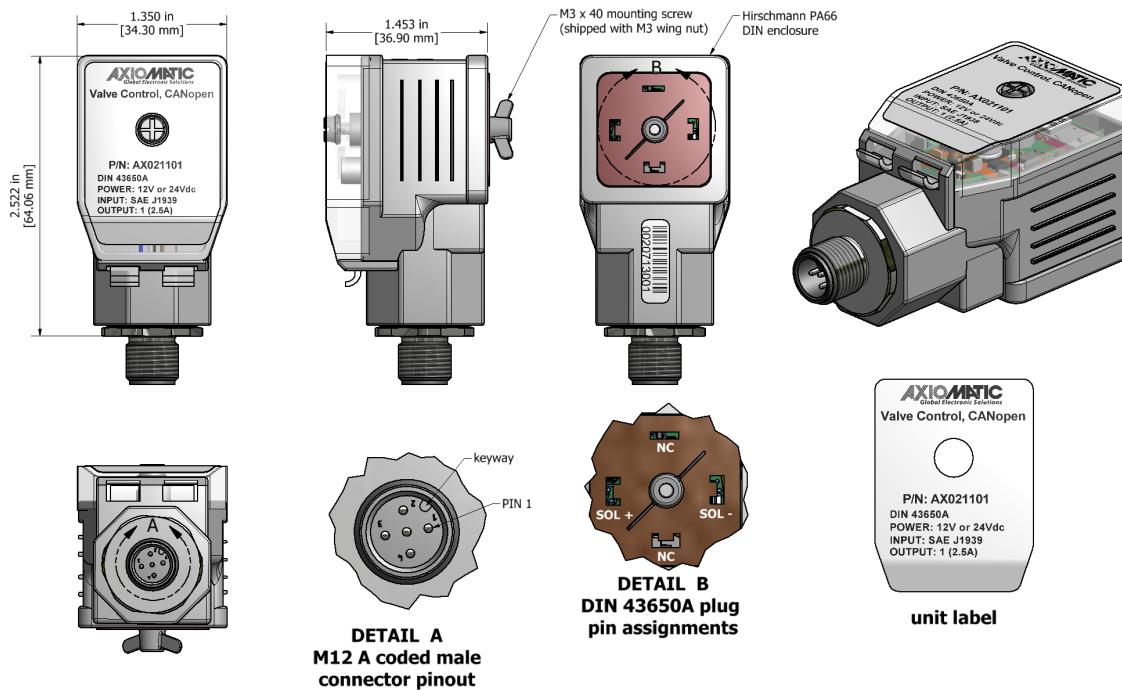


Figure 1.0. – Dimensional Drawing

Note 1: For proper operation of the amplifier, match power supply voltage with rating of solenoid coil. Operating the amplifier with a supply voltage lower than the solenoid rated voltage may result in reduced maximum current output.

Note 2: The coil should have no polarity or protection diodes for proper operation of the device.

Note 3: The maximum current output of the amplifier should not exceed the current rating of the solenoid coil.

CANopen® is a registered community trademark of CAN in Automation e.V.

Form: TDAX021101-06/12/23