

CONNECTOR AMPLIFIER FOR PROPORTIONAL VALVES (Economy Version)



Axiomatic Part No.: CAPVE-H-5V-XA-5C-2M

Where x = 1 (1 Amp output version) or 2 (2 Amps output)

Function: The amplifier supplies a solenoid valve with current proportional to an input control (0-5 VDC or 10K potentiometer).

Features:

- Maximum current adjustment does not affect minimum current setting
- Adjustments accessible with a removable cover
- Broad range of supply voltage (9 to 32 VDC) with no degradation in performance
- Current sensing circuit maintains output current regardless of changes in input voltage and coil resistance
- Modern technology utilizing high frequency switching output (PWM)
- Energy efficient design (no heat sink is required)
- Simple control with a 10K Potentiometer or 0-5 VDC control signal
- Maximum current output of 2 Amps (1 Amp version available)
- Mates to a DIN 43650 plug on a cartridge or block style solenoid valve
- Electronic limiting circuit means no internal fuses
- Short circuit proof (in case of solenoid failure or miswiring)
- Reverse polarity protection
- IP65 protection rating
- CE approvals
- Can disconnect load while amplifier is powered ("Hot Swap")

Application: Accurate control of hydraulic and pneumatic proportional solenoid valves used in mobile construction equipment and industrial processes.

Ordering Part Numbers:

DIN coil mount, 0-5 V/pot input, **2 Amps output**, 2 meter cable: **CAPVE-H-5V-2A-5C-2M**

DIN coil mount, 0-5 V/pot input, **1 Amp output**, 2 meter cable: **CAPVE-H-5V-1A-5C-2M**

DIN coil mount, 0-5 V/pot input, **2 Amps output**, 225Hz Dither, 2 meter cable: **CAPVEH5V225HZ**

DIN coil mount, 0-5 V/pot input, **2 Amps output**, 20 cm cable: **CAPVEH5V2A5C0.2M**

1.0 Introduction: The Technical Datasheet for the amplifier describes the installation, set up adjustments and use of the unit with proportional solenoids.

1.2 Technical Specifications:

Specifications are indicative and subject to change. Actual performance will vary depending on the application and operating conditions. Users should satisfy themselves that the product is suitable for use in the intended application. All our products carry a limited warranty against defects in material and workmanship. Please refer to our Warranty, Application Approvals/Limitations and Return Materials Process as described on <https://www.axiomatic.com/service/>.

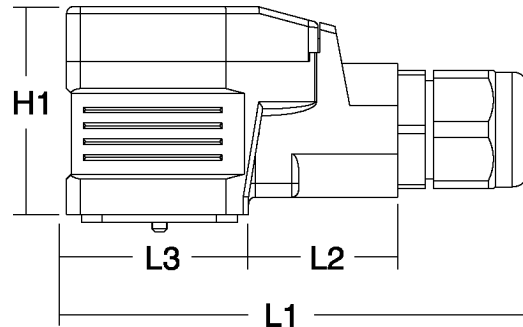
All specifications are typical at nominal input voltage and 25°C unless otherwise specified.

General Specifications

| | |
|-------------------------------------|---|
| Operating conditions | -40 to +85°C (-40 to 185°F) 0 to 85% relative humidity |
| Storage temperature | -50 to 125°C (-58 to 257°F) |
| Weight | 0.45 lbs. (0.20 kg) |
| Electromagnetic compatibility (EMC) | Emission EN 50081-2 Immunity EN 50082-2 |
| Approvals | CE |
| Electrical connection | DIN 43650 plug and 2 metres jacketed cable (5 conductors 18 AWG) |
| Protection class | IP65 when correctly installed with lid, washer, o-ring and base gasket |

Dimensions in mm/inches (excluding cable)

| | | |
|------------|----------|-------|
| Length L1 | 85.35 mm | 3.36" |
| L2 | 61.75 mm | 2.43" |
| L3 | 34.00 mm | 1.34" |
| Width = L3 | 34.00 mm | 1.34" |
| Height H1 | 38.00 mm | 1.49" |



Electrical Specifications

| | |
|--|---|
| Operating voltage (power supply requirement) | 9 to 32 VDC nominal power supply range |
| Control input signal options | 0-5 VDC voltage signal or 10K Potentiometer (accepts 5K to 50K pots) |
| Input resistance | 200K Ohms |
| Range of maximum output current | CAPVE-H-5V-2A-5C-2M: 2 Amps CAPVE-H-5V-1A-5C-2M: 1 Amp |
| Response time | <10 mSec. (measured @24V, 5V input, solenoid inductance of <20 mH) |
| Solenoid resistance selection (nominal) | $R_{coil} \leq (V_{power\ supply} - 1.5\ V) / I_{max}$ |
| Internal supply for setpoint potentiometer | +5 VDC |
| Current dither frequency | 90 Hz ($\pm 10\%$ of full scale) Model CAPVEH5V225HZ: 225Hz |
| Dither amplitude | 5% of rated maximum current (fixed) |

* Note 1: For proper operation, match the power supply voltage with rating of solenoid coil. Operation with a supply voltage lower than the solenoid rated voltage may result in reduced max. current output.

Note 2: The coil should have no polarity or protection diodes for proper operation of the device.

Note 3: Do not exceed the current rating of the solenoid coil with the maximum current output of the driver.

Adjustments (single turn trim pots)

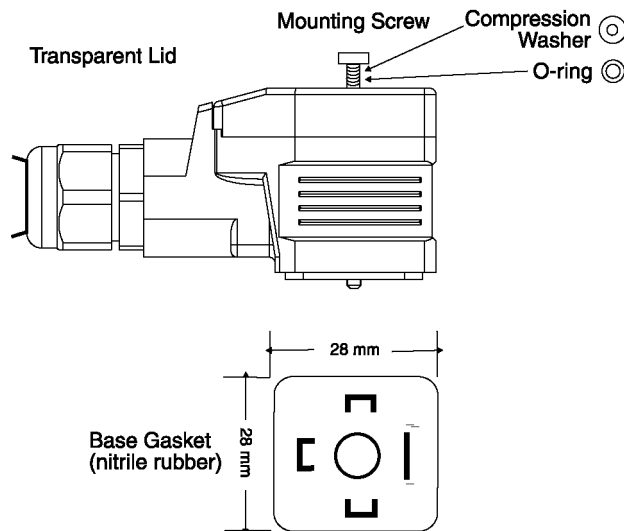
| | |
|-------------------------|--|
| Minimum current setting | <i>CAPVE-H-5V-2A-5C-2M</i> : 0 to 500 mA <i>CAPVE-H-5V-1A-5C-2M</i> : 0 to 250 mA |
| Maximum current setting | <i>CAPVE-H-5V-2A-5C-2M</i> : 600 to 2000 mA <i>CAPVE-H-5V-1A-5C-2M</i> : 300 to 1000 mA |

2.0 Installation Procedures:

2.1 Precautions Against Leaks From The Environment

- Ensure the transparent lid is firmly in place.
- Ensure the brown rubber base gasket is in place, providing a seal between the amplifier and the plug on the valve.
- The mounting screw with o-ring and washer in place should be flush with the top of the lid and fastened in place. Tighten the screw to make a firm connection to the valve with a Phillips #2 screwdriver.

Housing (Side View)

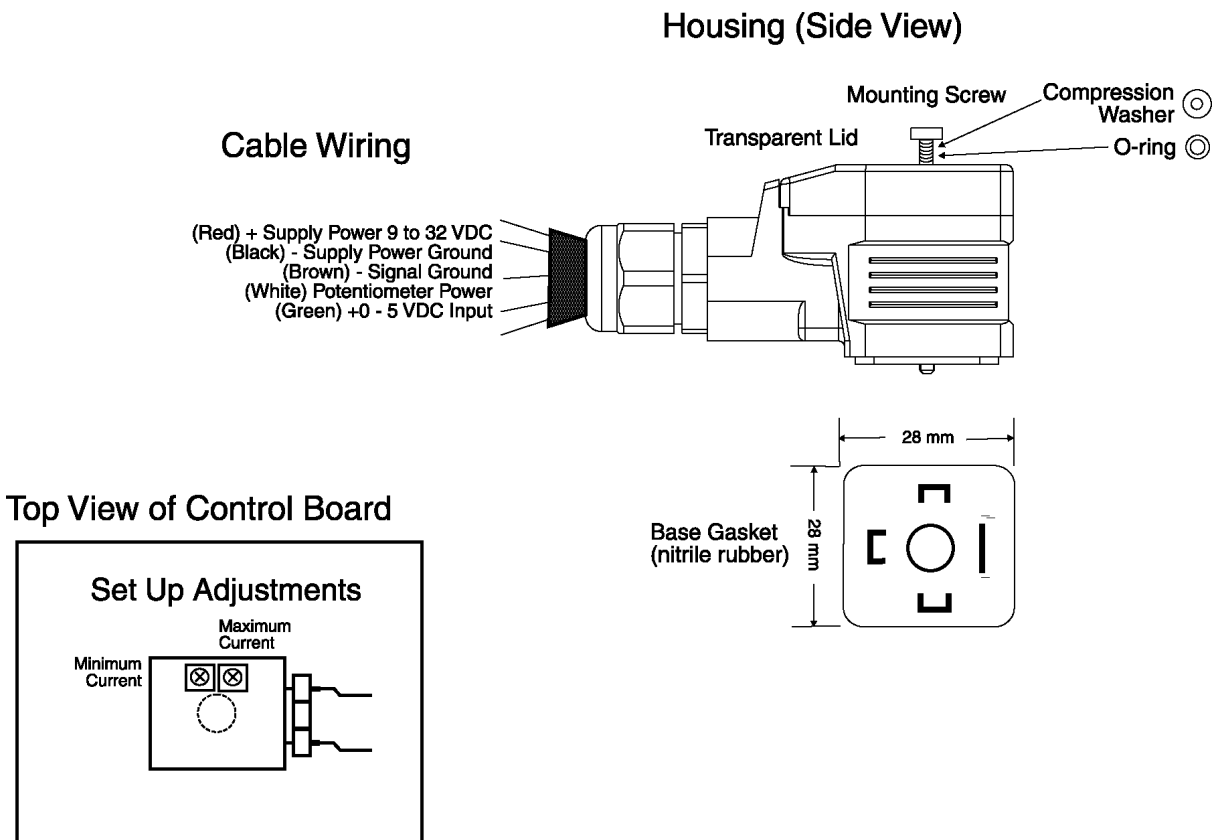


2.2 Necessary Equipment

- Economy Amplifier for Proportional Valves
- Cartridge or Block Proportional Solenoid Valve ready to accept a DIN 43650 plug
- Hydraulic power source and load circuit
- Power Supply (9 to 32 VDC)
- DC voltmeter (optional)
- Choice of Inputs: 0-5 VDC or 10K potentiometer
- External fusing recommended (3 A)

2.3 Installation Steps

- Supply voltage should be between 9 and 32 VDC. Excess voltage will damage the amplifier. Match the power supply voltage with the voltage rating of the solenoid coil. Operating the amplifier with a supply voltage lower than the solenoid rated voltage may result in reduced maximum current output. The maximum current output of the amplifier should not exceed the current rating of the solenoid coil.
- The coil should have no polarity or protection diodes for proper operation of the device.
- Do not install the amplifier near high voltage relays or other sources of electrical interference.
- Connect the power supply, command potentiometer or input signal and valve solenoid as shown on the next page and in Section 2.4. Put isolation sleeves on any unused wires for the potentiometer.
- Set the command potentiometer or voltage signal to the maximum level and confirm it is operating properly.



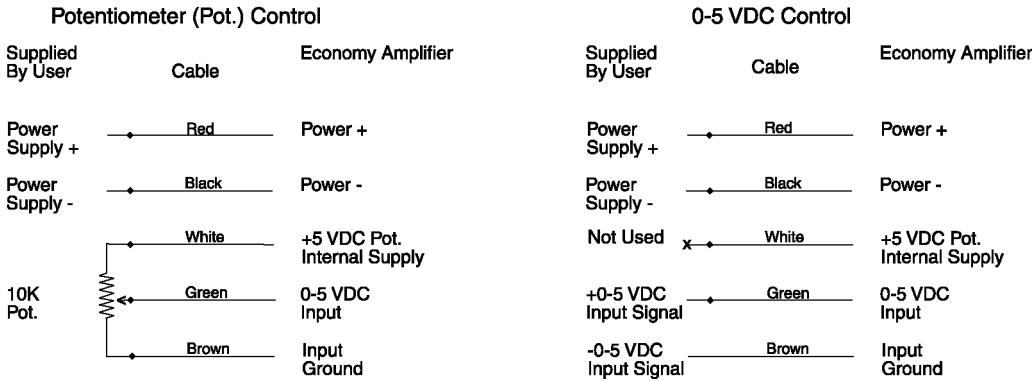
2.4 Wiring Connections

Connect the cable conductors to the power supply and input signal or potentiometer, as follows.

For 0-5 VDC or Potentiometer Control:

Use I-Min. screw to set up minimum speed with minimum control input.

Use I-Max. screw to set maximum speed with 100% of control input.



3.0 Set Up Adjustment Procedures:

The location of the trim pots for the set up adjustments are shown in Section 2.3.

WARNING: The operator must ensure that the operation of the valve within the full scale of the control function will not cause hazards, while performing set up adjustments to the amplifier.

3.1 Preparation

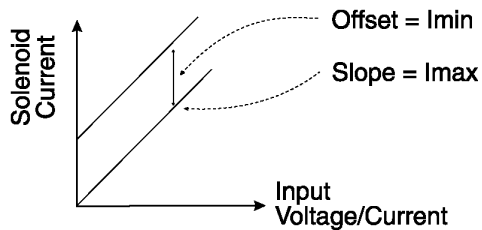
Ensure that the amplifier is connected to an operating proportional valve.

Use a small screwdriver to loosen the mounting screw and remove the transparent lid.

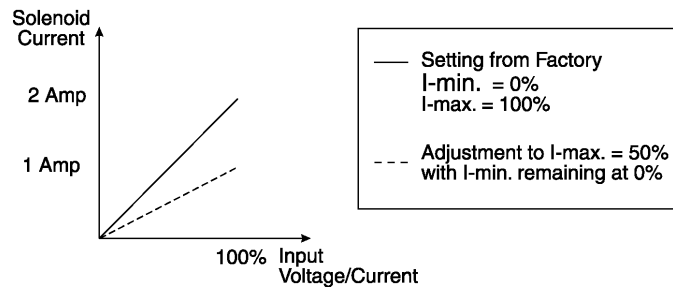
The single turn trim pots are adjusted with a Phillips #0 screwdriver.

3.2 Interaction Between Maximum and Minimum Current Adjustments

Adjusting the minimum current will shift the maximum current setting, as shown.



Adjusting the maximum current (I_{max}) does not affect the minimum current (I_{min}) setting.



3.3 Amplifier Settings

The following settings represent a typical set up for a voltage or current signal input operation scenario. Conditions will vary for other set up scenarios. I min and I max are single turn trim pots. Use a Phillips#0 screwdriver.

| Trim Pot Adjustments | Range of Adjustment | Factory Setting |
|----------------------------------|---|-----------------|
| Minimum Current Setting (I-min.) | <i>CAPVE-H-5V-2A-5C-2M</i> : 0 to 500 mA <i>CAPVE-H-5V-1A-5C-2M</i> : 0 to 250 mA | 0% (CCW) |
| Maximum Current Setting (I-max.) | <i>CAPVE-H-5V-2A-5C-2M</i> : 600 to 2000 mA* <i>CAPVE-H-5V-1A-5C-2M</i> : 300 to 1000 mA** | 100% (CW) |

CW = clockwise, CCW = Counter clockwise

*NOTE 1: Range of max. output current is 2 A (maximum output current = minimum current setting + maximum current setting).

** NOTE 2: Range of max. output current is 1 A (maximum output current = minimum current setting + maximum current setting).

Setting the Minimum Current (I-min.)

- **Set the minimum current before setting the maximum current.**
- Apply minimum input (0 V or control potentiometer at minimum).
- The factory setting for the I-min. trim pot is 0 or fully counter clockwise (CCW).
- If the desired minimum current is greater than 0, adjust the trim pot clockwise (CW) until the desired current is achieved.

The minimum current setting can be used to take into account the mechanical valve deadband and provide desired offsets from zero to allow full control within the functional range of the specific valve.

Setting the Maximum Current (I-max.)

- Apply maximum control (5 V or control pot at maximum).
- The factory setting for the I-max. trim pot is 100% or fully CW.
- Turn the trim pot CCW to adjust the current setting downwards to the desired maximum.

The maximum current setting is adjusted to meet the customer's working pressure or flow range to the full scale signal input range. This provides maximum control for a specific application.

4.0 Start Up Procedures:

A typical start up procedure is as follows:

1. Ensure the lid, o-ring, washer and base gasket are correctly in place (necessary for IP65 protection).
2. Ensure that no damage or injury can occur on the machine when the valve is operated.
3. Attach the amplifier to the load.
4. Switch on the power supply to the amplifier and apply a control signal.
5. Adjust the minimum and maximum current to suit the application.

Successful completion of these five steps means the amplifier and load are ready for normal use.

5.0 Operation:

The amplifier ensures a hydraulic proportional valve will function in a manner directly proportional to the control input. Accurate and repeatable operation is attained. Simple control can be achieved with a 10K Potentiometer powered by the amplifier's internal +5 VDC power supply or a 0-5 VDC control signal input. The amplifier performs within the mechanical limits of the proportional valve. No maintenance of the unit is required.

Form: TD1107AX-06/15/23