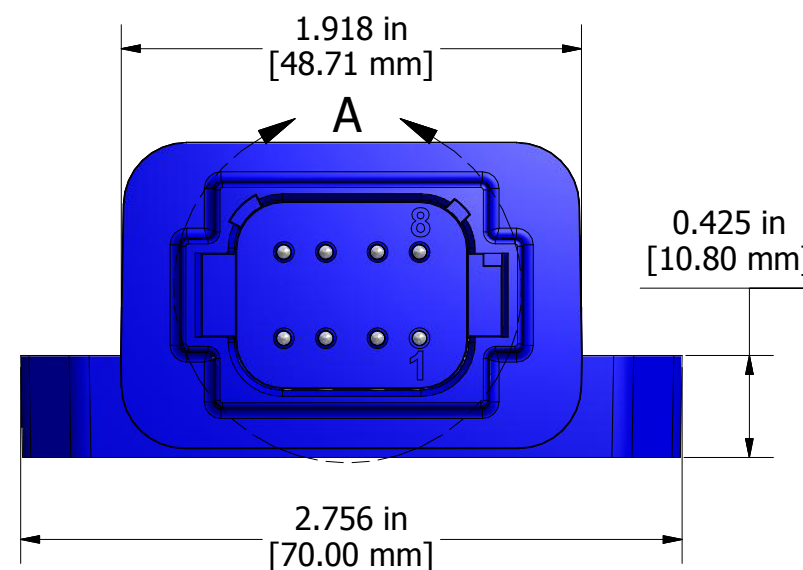
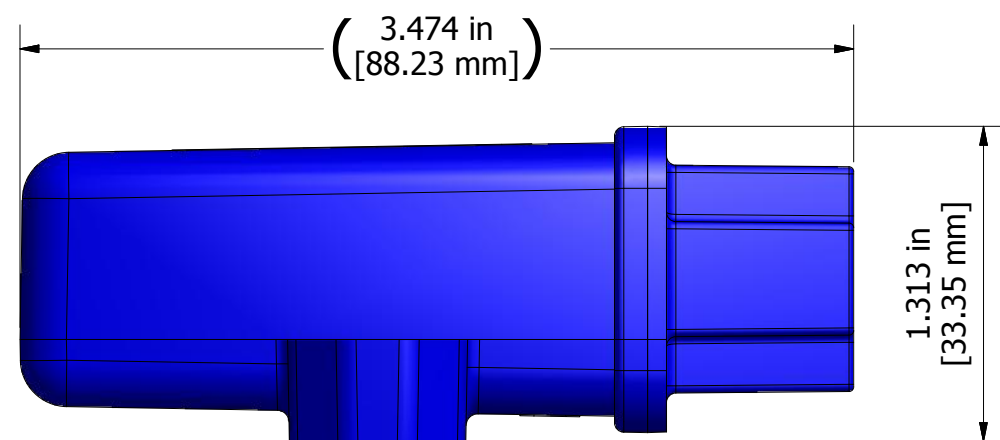
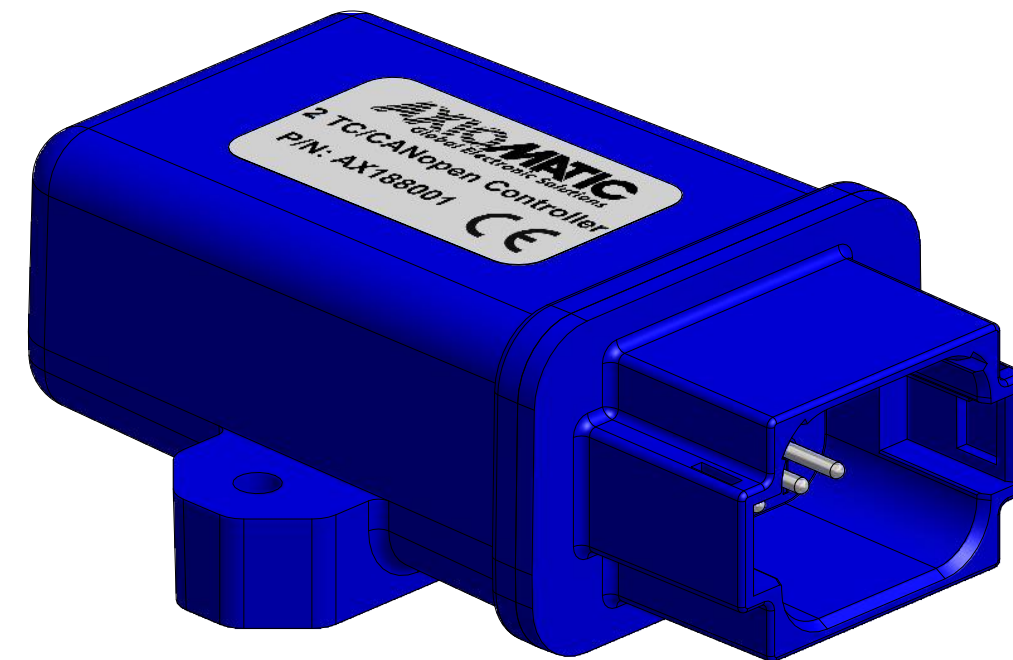


**DETAIL A**  
molded in TE Deutsch receptacle,  
based on DT04-08PA, mates  
with DT06-08SA



**unit label**

| TOLERANCES  |            |            |            |
|-------------|------------|------------|------------|
| fabrication | +/- 0.015" | machining  | +/- 0.005" |
| X.XXX       | +/- 0.031" | X.XXX      | +/- 0.010" |
| X.XX        | +/- 0.031" | X.XX       | +/- 0.015" |
| X.X         | +/- 0.031" | X.X        | +/- 0.031" |
| fractional  | +/- 0.031" | fractional | +/- 0.031" |

|  |  |   |   |
|--|--|---|---|
| <small>PROPRIETARY</small><br><small>THE INFORMATION CONTAINED IN THIS DRAWING IS CONFIDENTIAL AND PROPRIETARY AND REMAINS THE EXCLUSIVE PROPERTY OF AXIOMATIC TECHNOLOGIES CORPORATION. THIS DRAWING MAY NOT BE USED, REPRODUCED IN WHOLE OR IN PART, NOR REVEALED TO OTHERS WITHOUT THE PRIOR WRITTEN CONSENT OF AXIOMATIC TECHNOLOGIES CORPORATION. BY ACCEPTANCE OF THIS DRAWING, THE BEARER AGREES TO THESE CONDITIONS.</small> |  | <small>AXIOMATIC TECHNOLOGIES CORPORATION</small><br><small>5915 WALLACE ST.</small><br><small>MISSISSAUGA, ON</small><br><small>CANADA L4Z1Z8</small><br><small>905-602-9270</small> |   |
| <b>AXIOMATIC</b><br>Global Electronic Solutions<br><b>2 TC/CANopen Controller</b><br>P/N: AX188001 CE  |  | <b>unit label</b>   |   |
| MATERIAL<br>injection molded<br>glass filled PA66<br>ultrasonically<br>welded  |  | DRAWN<br><b>TF</b>  | DATE<br><b>4/20/2020</b>                            |
| CHECKED  |  | DATE  | TITLE<br>Dual Thermocouple Input Module,<br>CANopen |
| APPROVED   |  | DATE  | DWG REV<br><b>D1</b>                                |
| SCALE<br><b>full</b>   |  | PART NO<br><b>AX188001</b>  | DWG NO<br><b>AX188001-MD</b>                        |
| SHEET<br><b>1 of 1</b>   |  | PART REV<br><b>1</b>  |   |