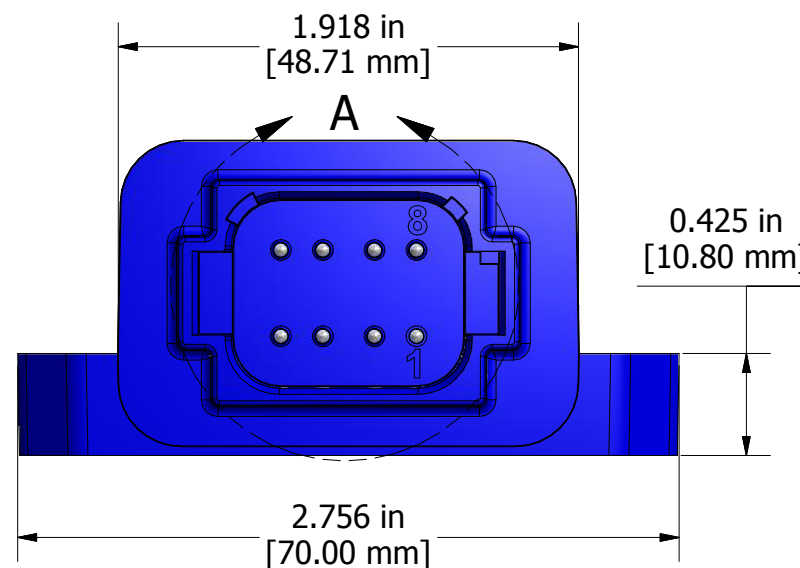
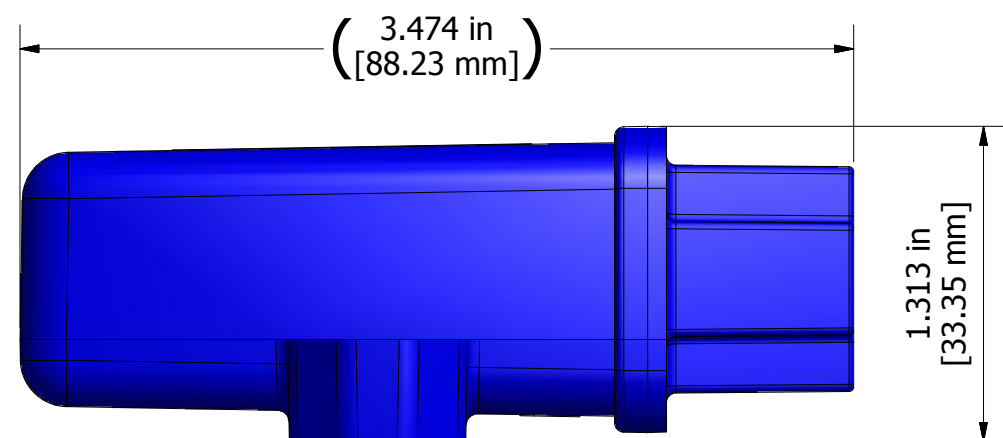
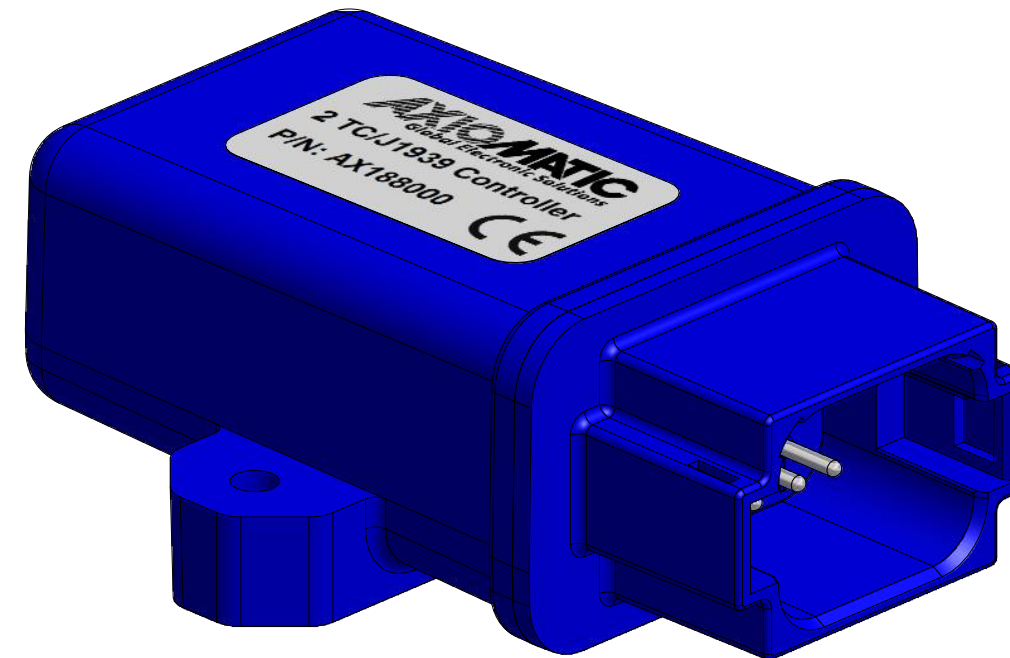


**DETAIL A**  
molded in TE Deutsch receptacle,  
based on DT04-08PA, mates  
with DT06-08SA



**unit label**

TOLERANCES	
fabrication	machining
X.XXX +/- 0.015"	X.XXX +/- 0.005"
X.XX +/- 0.031"	X.XX +/- 0.010"
X.X +/- 0.031"	X.X +/- 0.015"
fractional +/- 0.031"	fractional +/- 0.031"

<small>PROPRIETARY</small> THE INFORMATION CONTAINED IN THIS DRAWING IS CONFIDENTIAL AND PROPRIETARY AND REMAINS THE EXCLUSIVE PROPERTY OF AXIOMATIC TECHNOLOGIES CORPORATION. THIS DRAWING MAY NOT BE USED, REPRODUCED IN WHOLE OR IN PART, NOR REVEALED TO OTHERS WITHOUT THE PRIOR WRITTEN CONSENT OF AXIOMATIC TECHNOLOGIES CORPORATION. BY ACCEPTANCE OF THIS DRAWING, THE BEARER AGREES TO THESE CONDITIONS.		<small>AXIOMATIC TECHNOLOGIES CORPORATION</small> <b>AXIOMATIC</b> Global Electronic Solutions 5915 WALLACE ST. MISSISSAUGA, ON CANADA L4Z1Z8 905-602-9270	
MATERIAL	DRAWN	DATE	TITLE
injection molded glass filled PA66 ultrasonically welded	TF	2/4/2020	Dual Thermocouple Input Module, J1939
	CHECKED	DATE	DWG REV
			D1
	APPROVED	DATE	DWG NO
			AX188000-MD
		SCALE	PART NO
		full	AX188000
			SHEET
			1 of 1