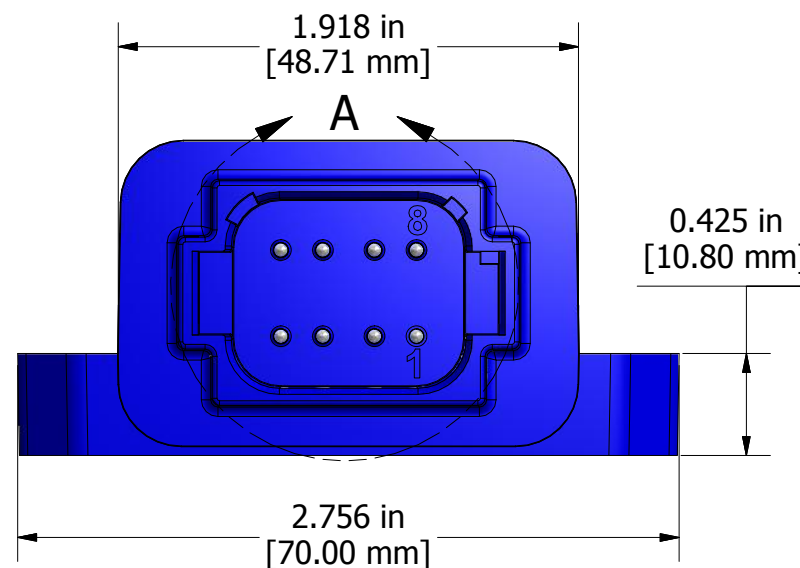
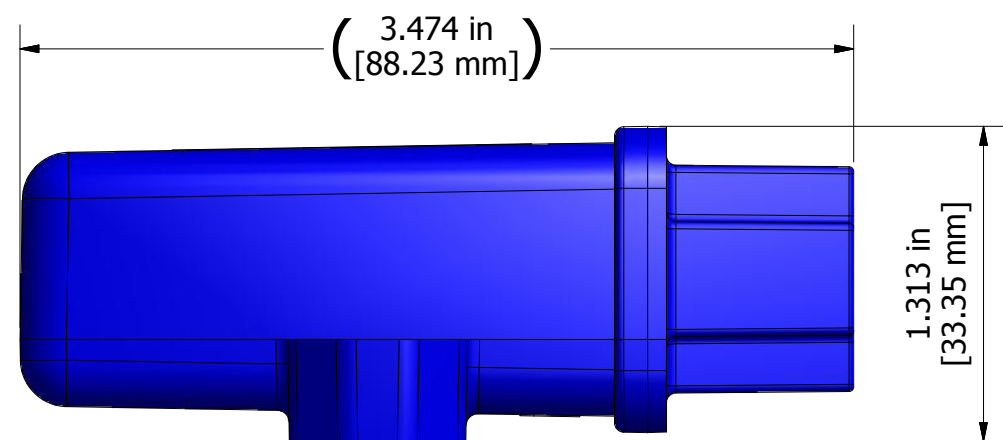
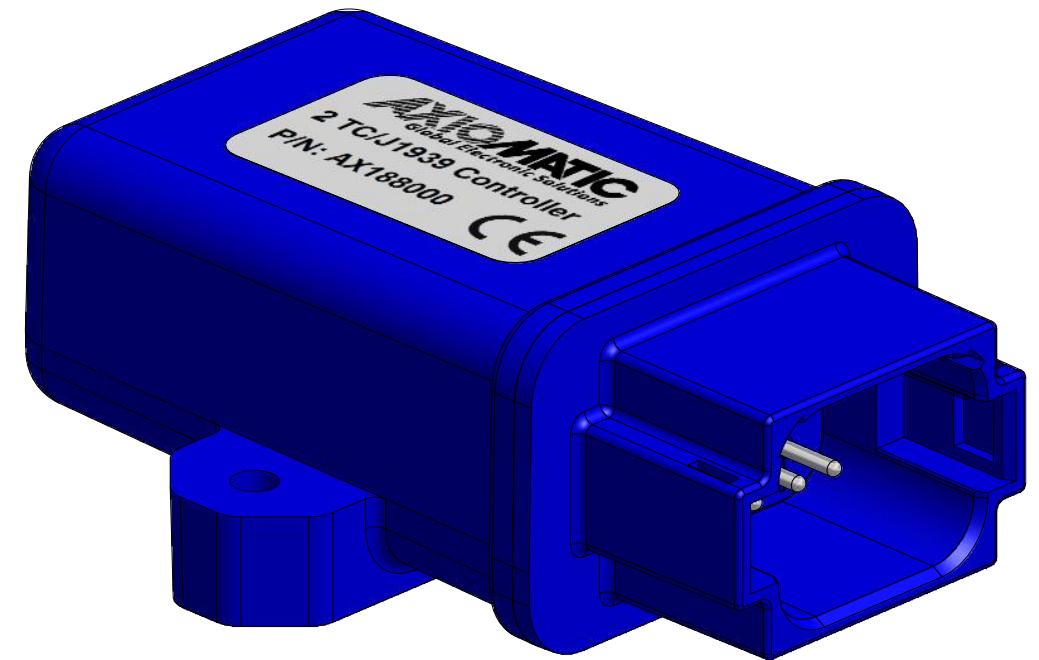


DETAIL A
molded in TE Deutsch receptacle,
based on DT04-08PA, mates
with DT06-08SA



unit label

TOLERANCES	
fabrication	machining
X.XXX +/- 0.015"	X.XXX +/- 0.005"
X.XX +/- 0.031"	X.XX +/- 0.010"
X.X +/- 0.031"	X.X +/- 0.015"
fractional +/- 0.031"	fractional +/- 0.031"

<small>PROPRIETARY</small> <small>THE INFORMATION CONTAINED IN THIS DRAWING IS CONFIDENTIAL AND PROPRIETARY AND REMAINS THE EXCLUSIVE PROPERTY OF AXIOMATIC TECHNOLOGIES CORPORATION. THIS DRAWING MAY NOT BE USED, REPRODUCED IN WHOLE OR IN PART, NOR REVEALED TO OTHERS WITHOUT THE PRIOR WRITTEN CONSENT OF AXIOMATIC TECHNOLOGIES CORPORATION. BY ACCEPTANCE OF THIS DRAWING, THE BEARER AGREES TO THESE CONDITIONS.</small>		<small>AXIOMATIC TECHNOLOGIES CORPORATION</small> <small>5915 WALLACE ST.</small> <small>MISSISSAUGA, ON</small> <small>CANADA L4Z1Z8</small> <small>905-602-9270</small>	
AXIOMATIC Global Electronic Solutions 2 TC/J1939 Controller P/N: AX188000 CE		unit label	
<small>MATERIAL</small> injection molded glass filled PA66 ultrasonically welded		<small>DRAWN</small> TF	<small>DATE</small> 2/4/2020
<small>CHECKED</small> 		<small>DATE</small> 	<small>TITLE</small> Dual Thermocouple Input Module, J1939
<small>APPROVED</small> 		<small>DATE</small> 	<small>DWG REV</small> D1
		<small>DWG NO</small> AX188000-MD	<small>PART REV</small> 1
		<small>SCALE</small> full	<small>PART NO</small> AX188000
		<small>SHEET</small> 1 of 1	