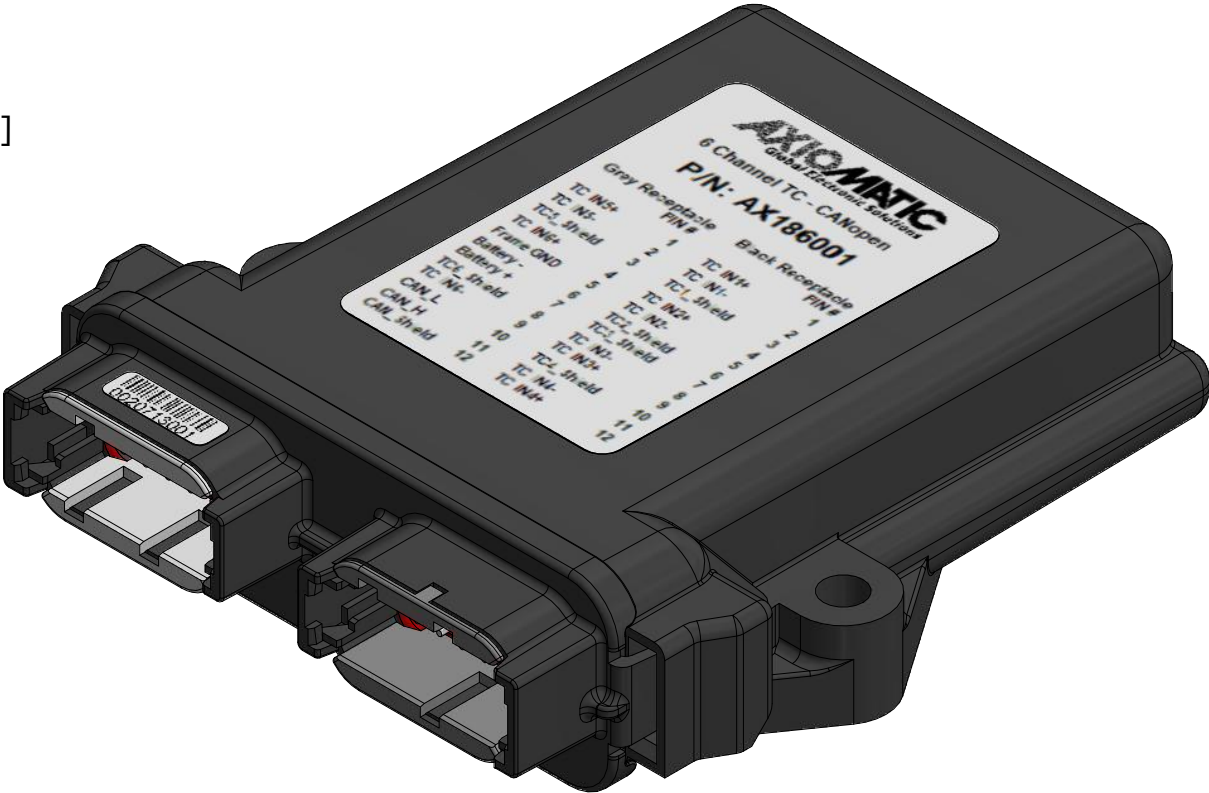
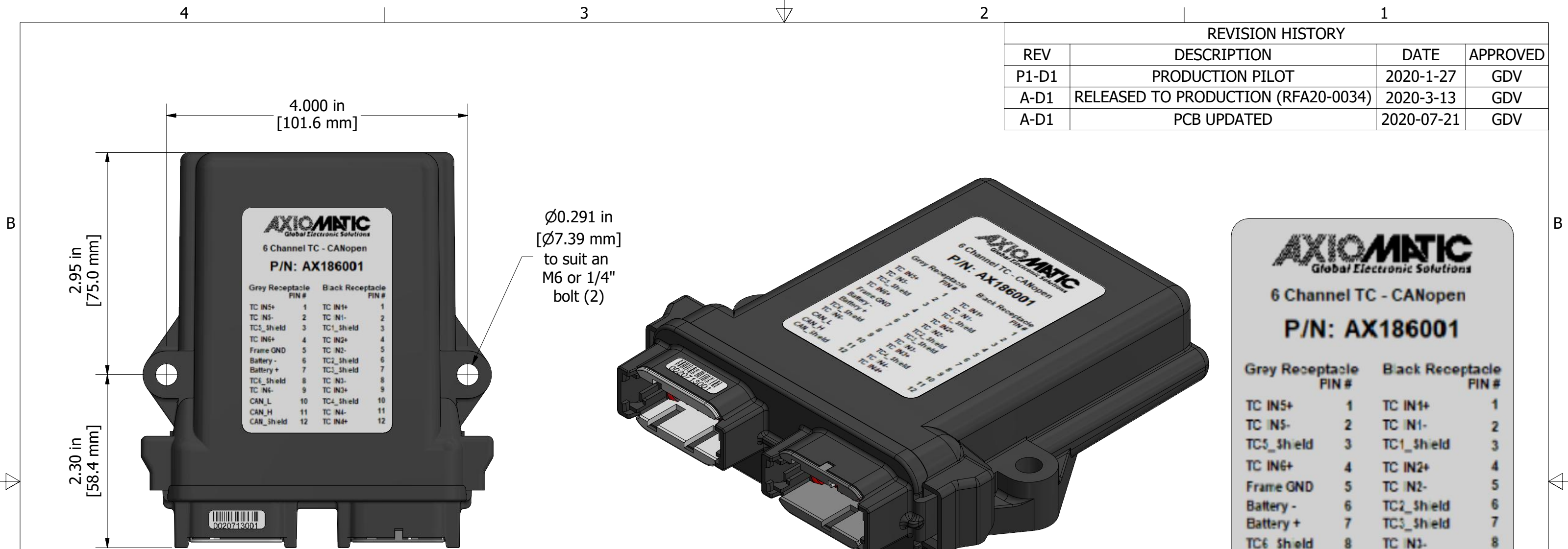
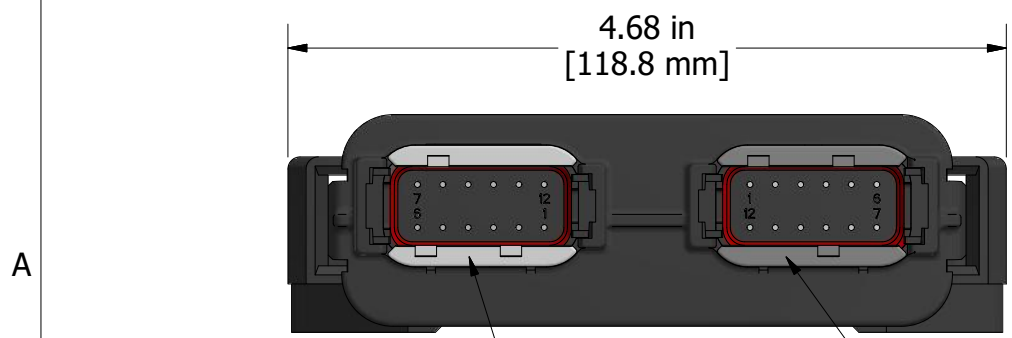


REVISION HISTORY			
REV	DESCRIPTION	DATE	APPROVED
P1-D1	PRODUCTION PILOT	2020-1-27	GDV
A-D1	RELEASED TO PRODUCTION (RFA20-0034)	2020-3-13	GDV
A-D1	PCB UPDATED	2020-07-21	GDV

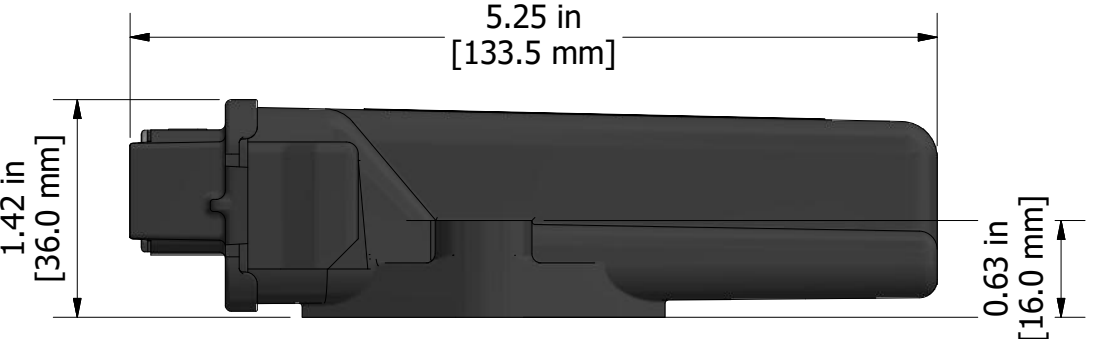



**Unit Label**



Gray receptacle keyed "A" mates with DTM06-12SA

Black receptacle keyed "B" mates with DTM06-12SB



DIMENSIONS ARE IN INCHES UNLESS OTHERWISE SPECIFIED IN DRAWING TOLERANCE ON:		MATERIAL NA		DRAWN EL	DATE 2020-01-27	 AXIOMATIC TECHNOLOGIES CORPORATION 5915 WALLACE ST. MISSISSAUGA, ON CANADA L4Z 1Z8 905-602-9270		
FABRICATION X.XXX ±0.015 X.XX ±0.01 X.X ±0.1 ANGLES ±1.0	MACHINING X.XXX ±0.005 X.XX ±0.01 X.X ±0.1 ANGLES ±1.0	FINISH NA	THIRD ANGLE PROJECTION	CHECKED TF	DATE 2020-03-11	DWG REV D1	DWG NO AX186001-MD	PART REV A
		INVENTOR SIZE B	TOOL	APPROVED GDV	DATE 2020-03-11	SCALE 0.8	PART NO AX186001	SHEET 1 of 1

TITLE Six Channel Thermocouple Module, CANopen