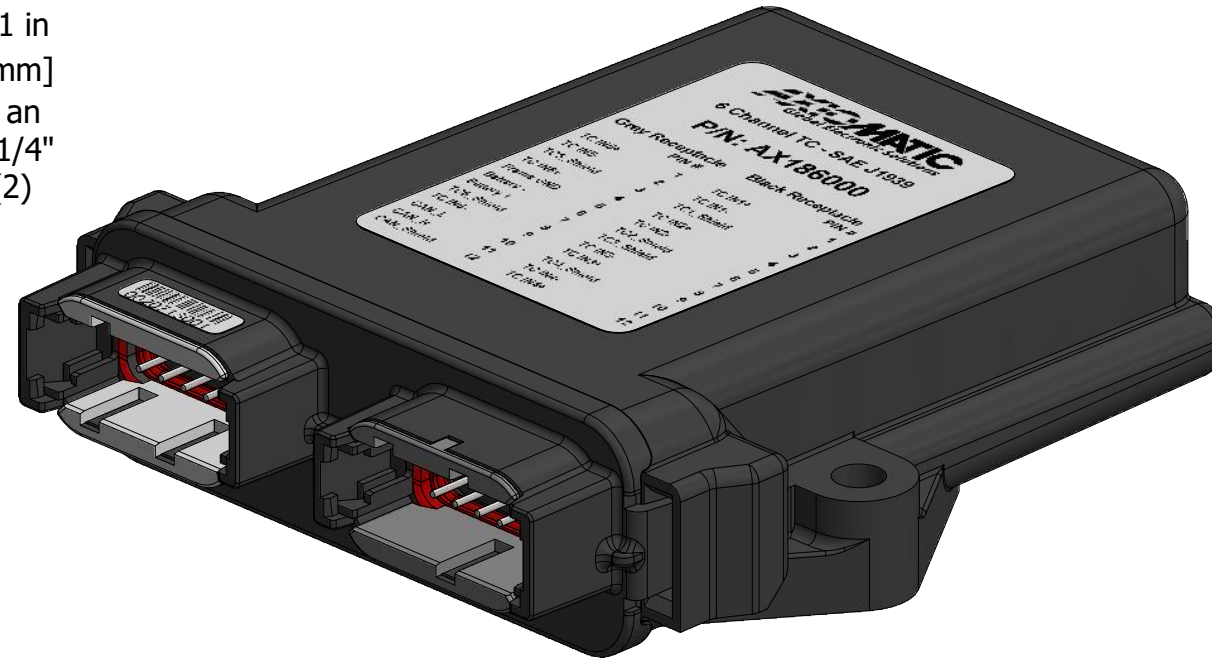


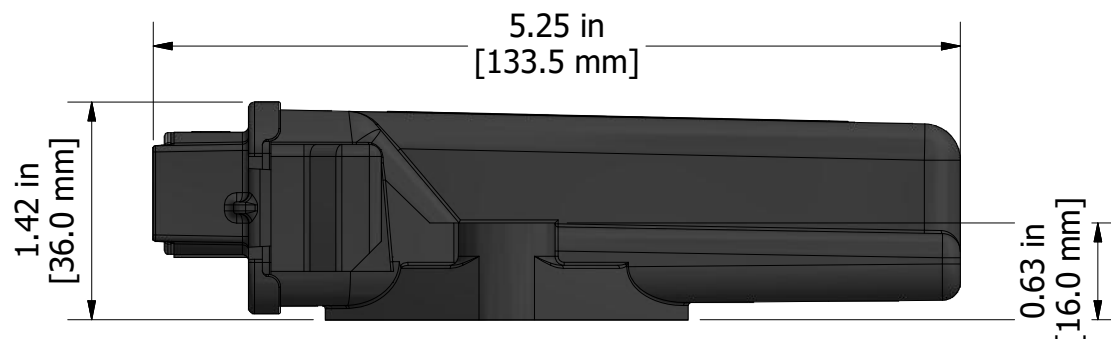
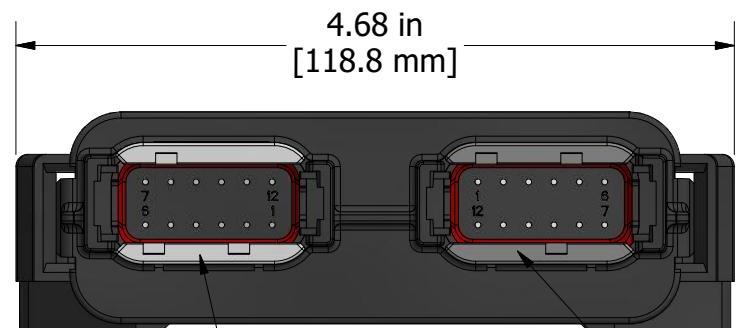
Ø0.291 in [7.39 mm] to suit an M6 or 1/4" bolt (2)



AXIOMATIC
Global Electronic Solutions
6 Channel TC - SAE J1939
P/N: AX186000

Grey Receptacle		Black Receptacle	
PIN #	PIN #	PIN #	PIN #
TC IN5+	1	TC IN1+	1
TC IN5-	2	TC IN1-	2
TC5_Shield	3	TC1_Shield	3
TC IN6+	4	TC IN2+	4
Frame GND	5	TC IN2-	5
Battery -	6	TC2_Shield	6
Battery +	7	TC3_Shield	7
TC6_Shield	8	TC IN3-	8
TC IN6-	9	TC IN3+	9
CAN_L	10	TC4_Shield	10
CAN_H	11	TC IN4-	11
CAN_Shield	12	TC IN4+	12

Unit Label



Gray receptacle keyed "A" mates with DTM06-12SA

Black receptacle keyed "B" mates with DTM06-12SB

REVISION HISTORY			
REV	DESCRIPTION	DATE	APPROVED
P1-D1	PRODUCTION PILOT	2020-1-22	GDV
A-D1	RELEASED TO PRODUCTION (RFA20-0039)	2020-3-13	GDV
A-D1	PCB UPDATED	2020-07-21	GDV

DIMENSIONS ARE IN INCHES	
UNLESS OTHERWISE SPECIFIED IN DRAWING	
TOLERANCE ON:	
FABRICATION	MACHINING
X.XXX ± 0.015	X.XXX ± 0.005
X.XX ± 0.01	X.XX ± 0.01
X.X ± 0.1	X.X ± 0.1
ANGLES ± 1.0	ANGLES ± 1.0

MATERIAL NA	DRAWN EL	DATE 2020-01-22
FINISH NA	CHECKED TF	DATE 2020-03-11
THIRD ANGLE PROJECTION	APPROVED GDV	DATE 2020-03-11
TOOL SIZE B		

			<small>AXIOMATIC TECHNOLOGIES CORPORATION 5915 WALLACE ST. MISSISSAUGA, ON CANADA L4Z 1Z8 905-602-9270</small>		
TITLE Six Channel Thermocouple Module, J1939					
DWG REV D1	DWG NO AX186000-MD	PART REV A			
SCALE 0.8	PART NO AX186000	SHEET 1 of 1			