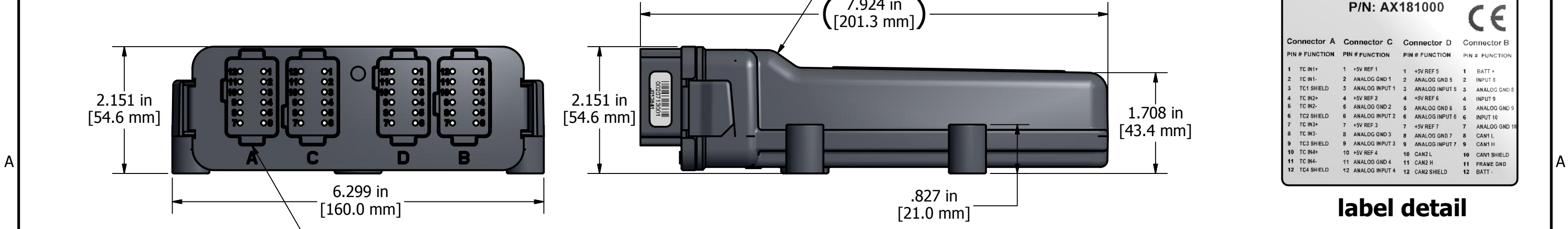


Deutsch IPD **EEC-5X650B**
used with Deutsch IPD
DT13-48PABCD-R015 face plate



Deutsch IPD **DT13-48PABCD-R015**
mates with Deutsch IPD **DT06-12S** plugs,
all modifications, keyed A - B - C - D

REVISION HISTORY			
REV	DESCRIPTION	DATE	APPROVED
A-D2	updated label, added CE mark	Aug 7-2014	AW

TOLERANCES	
fabrication	machining
X.XXX +/- 0.015	X.XXX +/- 0.001
X.XX +/- 0.031	X.XX +/- 0.005
X.X +/- 0.031	X.X +/- 0.015
fractional +/- 0.031	fractional +/- 0.031

<small>PROPRIETARY</small> THE INFORMATION CONTAINED IN THIS DRAWING IS CONFIDENTIAL AND PROPRIETARY AND REMAINS THE EXCLUSIVE PROPERTY OF AXIOMATIC TECHNOLOGIES CORPORATION. THIS DRAWING MAY NOT BE USED, REPRODUCED IN WHOLE OR IN PART, NOR REVEALED TO OTHERS WITHOUT THE PRIOR WRITTEN CONSENT OF AXIOMATIC TECHNOLOGIES CORPORATION. BY ACCEPTANCE OF THIS DRAWING, THE BEARER AGREES TO THESE CONDITIONS.		AXIOMATIC Global Electronic Solutions <small>AXIOMATIC TECHNOLOGIES CORPORATION 5915 WALLACE ST. MISSISSAUGA, ON CANADA L4Z1Z8 905-602-9270</small>	
MATERIAL	DRAWN	DATE	TITLE
high temperature nylon housing with silicone gasket	TF	03/04/2013	TC/Analog/Digital Inputs to CAN Controller
	CHECKED	DATE	DWG REV
	DL		D2
	APPROVED	DATE	DWG NO
	DL		AX181000
			PART REV
			A
			SCALE
			full
			PART NO
			AX181000-MD
			SHEET
			1 of 1