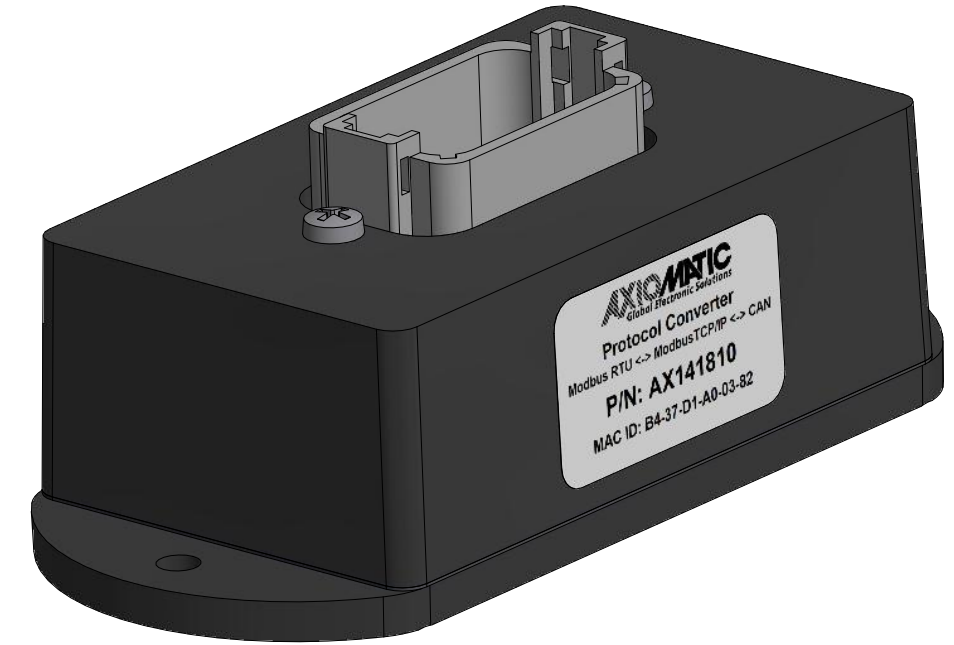
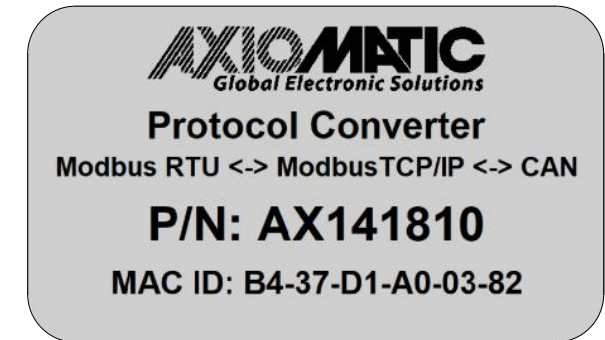
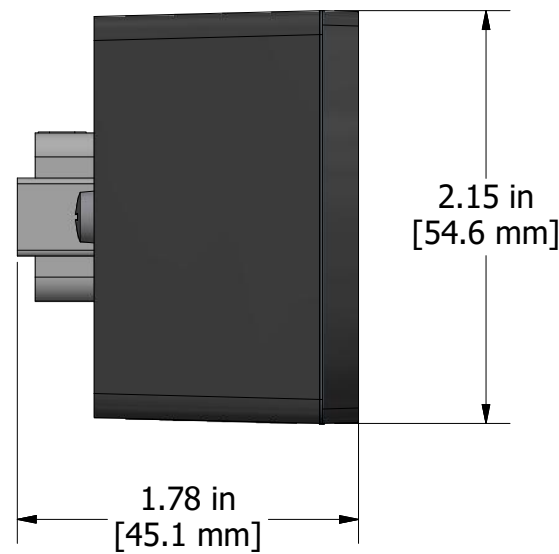
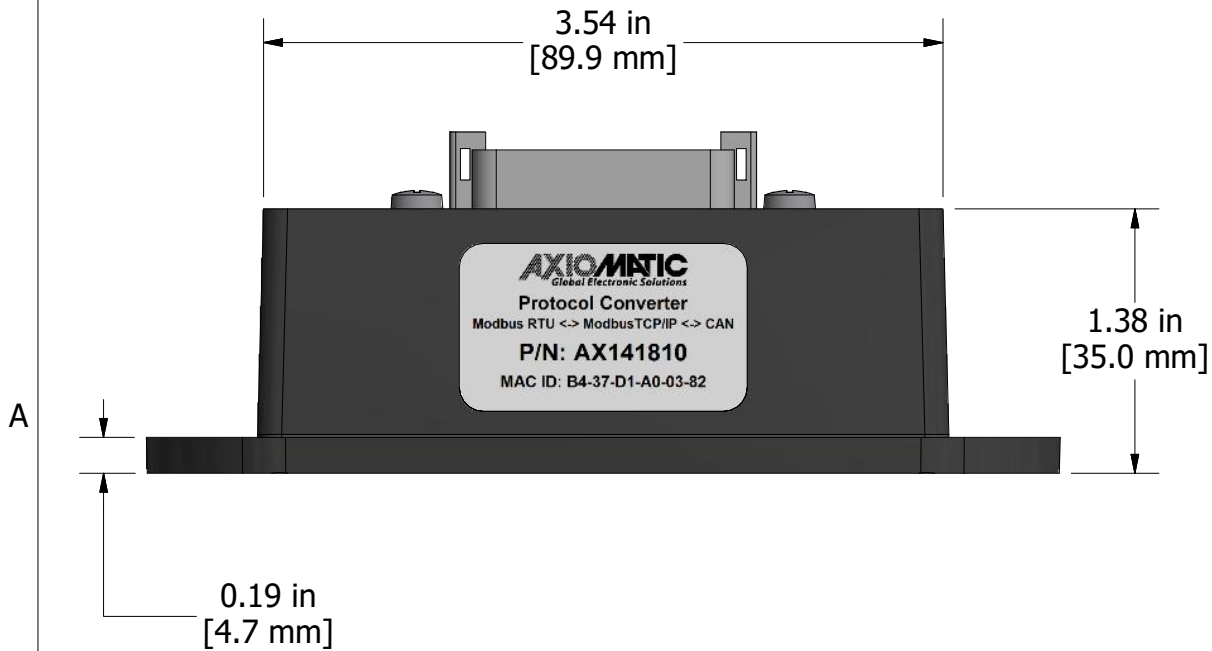


REVISION HISTORY			
REV	DESCRIPTION	DATE	APPROVED
P1-D1	PRODUCTION PILOT	06/11/2020	GDV



DT15-12PA receptacle mates with DT06-12SA with 2 wedgelocks (W12S) and 12 contacts (0462-201-20141). All field wiring should be suitable for the operating temperature range.



**Unit Label**

DIMENSIONS ARE IN INCHES	
UNLESS OTHERWISE SPECIFIED IN DRAWING	
TOLERANCE ON:	
FABRICATION	MACHINING
X.XXX ± 0.015	X.XXX ± 0.005
X.XX ± 0.01	X.XX ± 0.01
X.X ± 0.1	X.X ± 0.1
ANGLES ± 1.0	ANGLES ± 1.0

PROPRIETARY				AXIOMATIC TECHNOLOGIES CORPORATION			
THE INFORMATION CONTAINED IN THIS DRAWING IS CONFIDENTIAL AND PROPRIETARY AND REMAINS THE EXCLUSIVE PROPERTY OF AXIOMATIC TECHNOLOGIES CORPORATION. THIS DRAWING MAY NOT BE USED, REPRODUCED IN WHOLE OR IN PART, NOR REVEALED TO OTHERS WITHOUT THE PRIOR WRITTEN CONSENT OF AXIOMATIC TECHNOLOGIES CORPORATION. BY ACCEPTANCE OF THIS DRAWING, THE BEARER AGREES TO THESE CONDITIONS.				5915 WALLACE ST. MISSISSAUGA, ON CANADA L4Z 1Z8 905-602-9270			
MATERIAL	NA	DRAWN	EL	DATE	2020-06-11	TITLE Protocol Converter RS-485 to Modbus RTU - Modbus TCP/IP - CAN	
FINISH	NA	CHECKED	TF	DATE	2020-06-12	DWG REV	D1
THIRD ANGLE PROJECTION	TOOL	APPROVED	GDV	DATE	2020-06-12	DWG NO	AX141810-MD
	INVENTOR	SIZE	B	SCALE	1	PART NO	AX141810
						SHEET	1 of 1