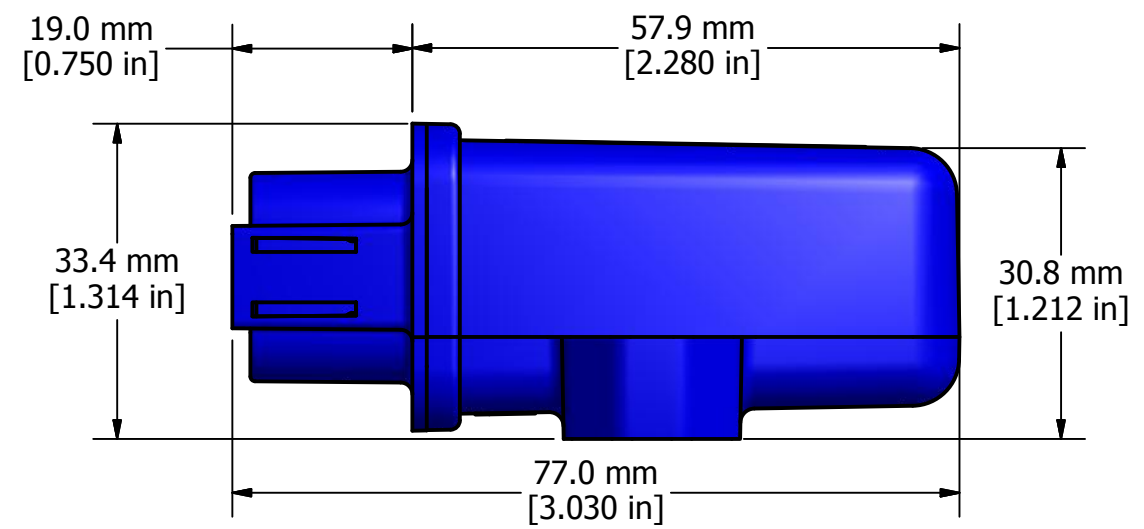
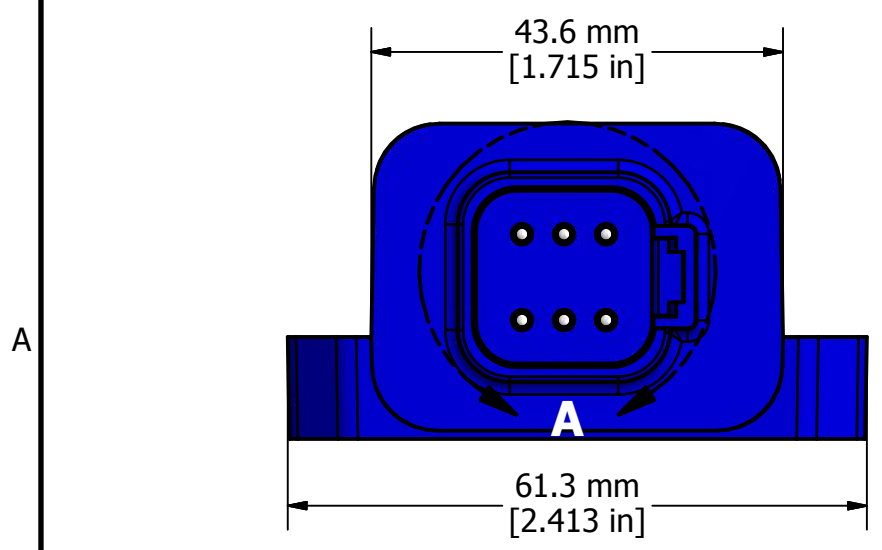
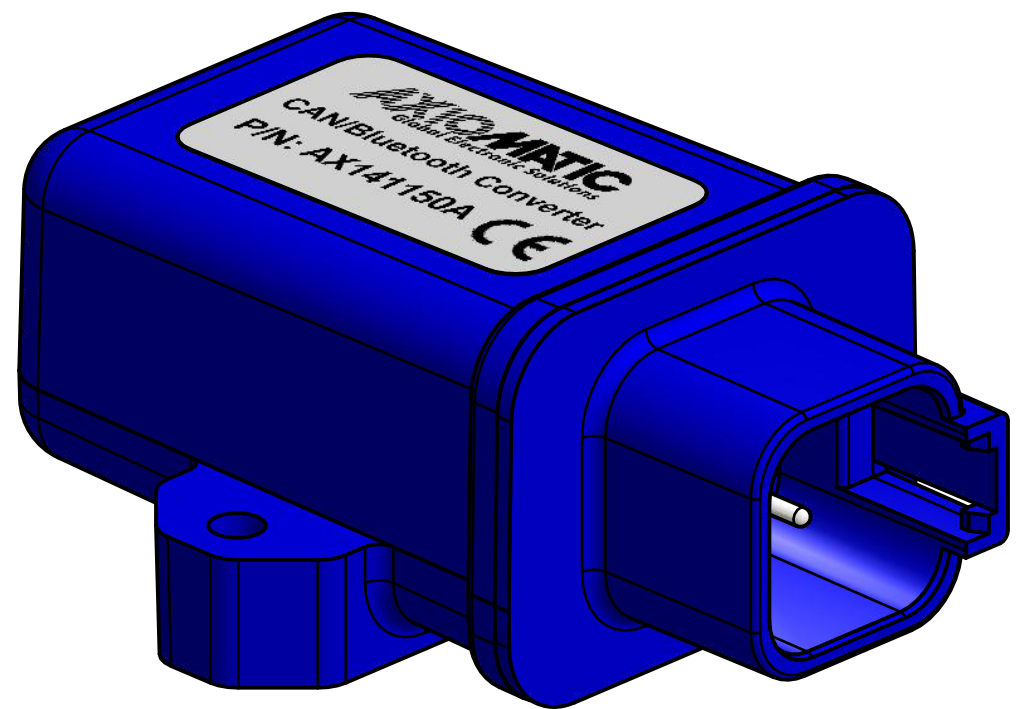


**DETAIL A**  
 molded in Deutsch IPD DT04-6P receptacle  
mates with: Deutsch IPD DT06-6S



**label detail**

TOLERANCES			
fabrication		machining	
X.XXX	+/- 0.015	X.XXX	+/- 0.001
X.XX	+/- 0.031	X.XX	+/- 0.005
X.X	+/- 0.031	X.X	+/- 0.015
fractional	+/- 0.031	fractional	+/- 0.031

<small>PROPRIETARY</small> THE INFORMATION CONTAINED IN THIS DRAWING IS CONFIDENTIAL AND PROPRIETARY AND REMAINS THE EXCLUSIVE PROPERTY OF AXIOMATIC TECHNOLOGIES CORPORATION. THIS DRAWING MAY NOT BE USED, REPRODUCED IN WHOLE OR IN PART, NOR REVEALED TO OTHERS WITHOUT THE PRIOR WRITTEN CONSENT OF AXIOMATIC TECHNOLOGIES CORPORATION. BY ACCEPTANCE OF THIS DRAWING, THE BEARER AGREES TO THESE CONDITIONS.		<small>AXIOMATIC TECHNOLOGIES CORPORATION</small> <b>AXIOMATIC</b> Global Electronic Solutions 5915 WALLACE ST. MISSISSAUGA, ON CANADA L4Z1Z8 905-602-9270	
MATERIAL	DRAWN	DATE	TITLE
PA66 30%GF ultrasonically welded enclosure	TF	Oct 23-2018	SAE J1939 CAN to Bluetooth Signal Converter, Android Interface
	CHECKED	DATE	DWG REV
	DL		D1
	APPROVED	DATE	SCALE
	DL		full
			DWG NO
			AX141150A-MD
			PART NO
			AX141150A
			PART REV
			1
			SHEET
			1 of 1