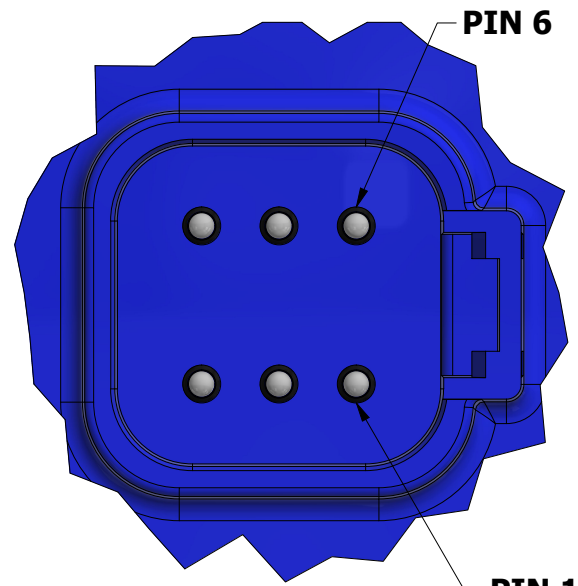
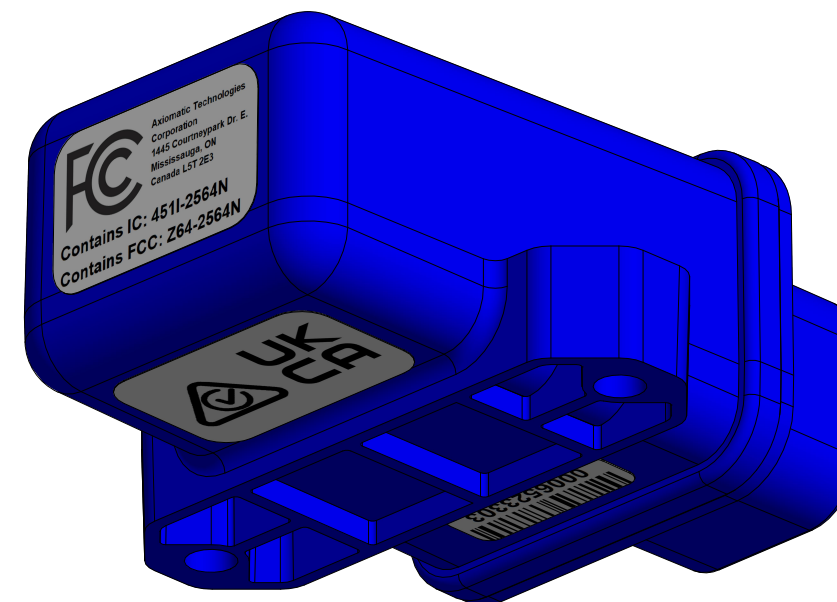
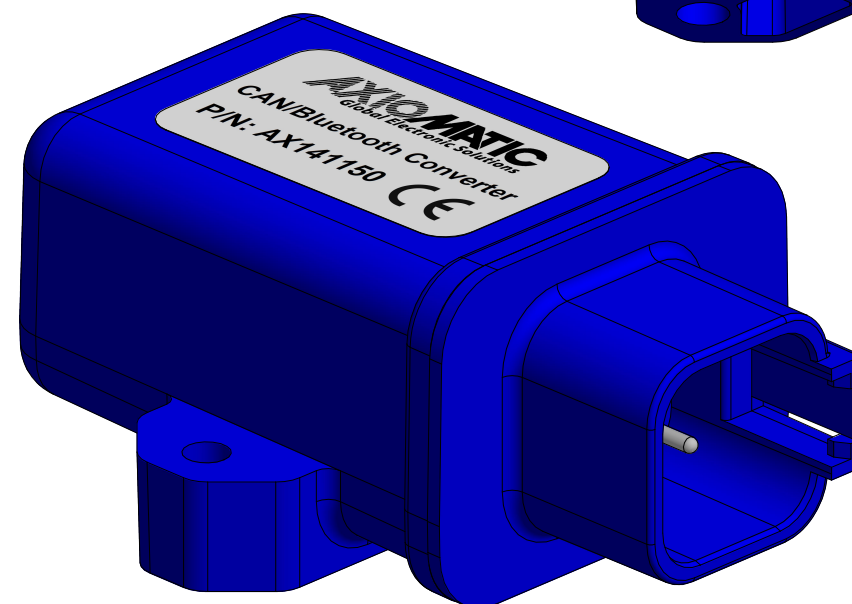


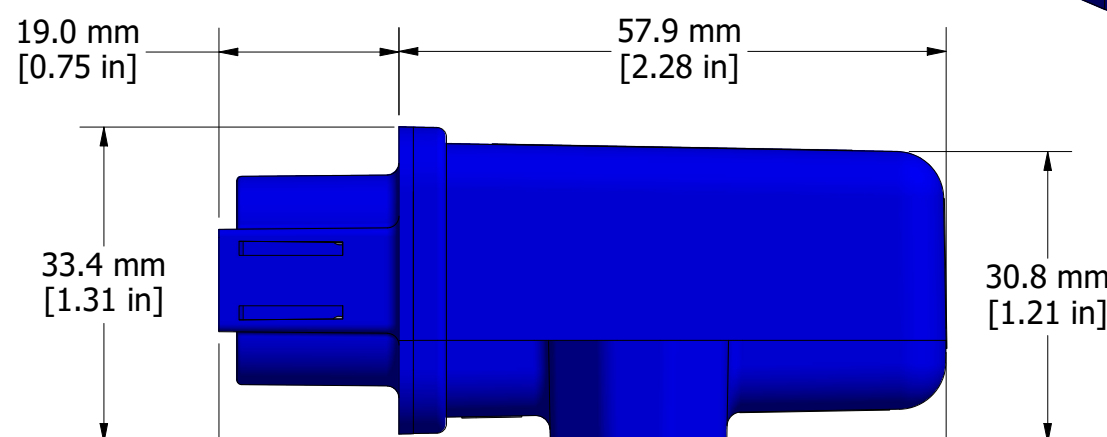
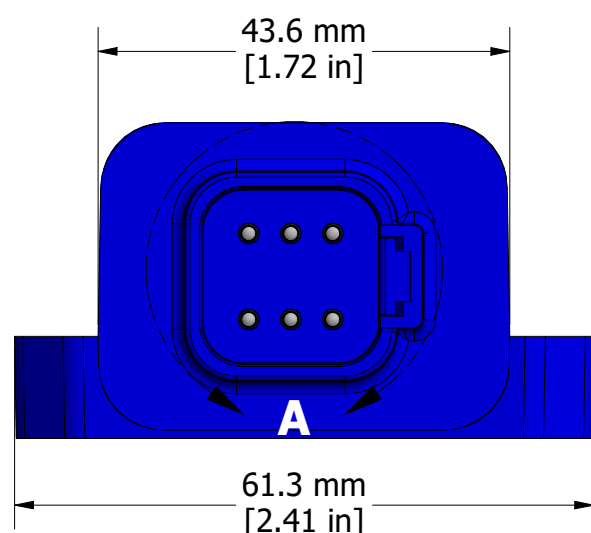
Ø4.4 mm  
[0.172 in]  
to suit an M4  
or #8 bolt  
(2 places)



**DETAIL A**  
molded in TE Deutsch  
DT04-6P receptacle  
mates with: TE Deutsch  
DT06-6S



compliance label



FCC ID label



unit label

TOLERANCES			
fabrication		machining	
X.XXX	+/- 0.015	X.XXX	+/- 0.001
X.XX	+/- 0.031	X.XX	+/- 0.005
X.X	+/- 0.031	X.X	+/- 0.015
fractional	+/- 0.031	fractional	+/- 0.031

MATERIAL  
PA66 30%GF  
ultrasonically  
welded  
enclosure

DRAWN	DATE
TF	Jan 26-2018
CHECKED	DATE
DL	
APPROVED	DATE
DL	

<small>PROPRIETARY</small> <small>THE INFORMATION CONTAINED IN THIS DRAWING IS CONFIDENTIAL AND PROPRIETARY AND REMAINS THE EXCLUSIVE PROPERTY OF AXIOMATIC TECHNOLOGIES CORPORATION. THIS DRAWING MAY NOT BE USED, REPRODUCED IN WHOLE OR IN PART, NOR REVEALED TO OTHERS WITHOUT THE PRIOR WRITTEN CONSENT OF AXIOMATIC TECHNOLOGIES CORPORATION. BY ACCEPTANCE OF THIS DRAWING, THE BEARER AGREES TO THESE CONDITIONS.</small>		<small>AXIOMATIC TECHNOLOGIES CORPORATION</small> <small>1445 Courtneypark Dr.</small> <small>MISSISSAUGA, ON</small> <small>CANADA L5T2E3</small> <small>905-602-9270</small>	
TITLE		SAE J1939 CAN to Bluetooth Signal Converter	
DWG REV	DWG NO	PART REV	
D1	AX141150-MD	A.1	
SCALE	PART NO	SHEET	
full	AX141150	1 of 1	