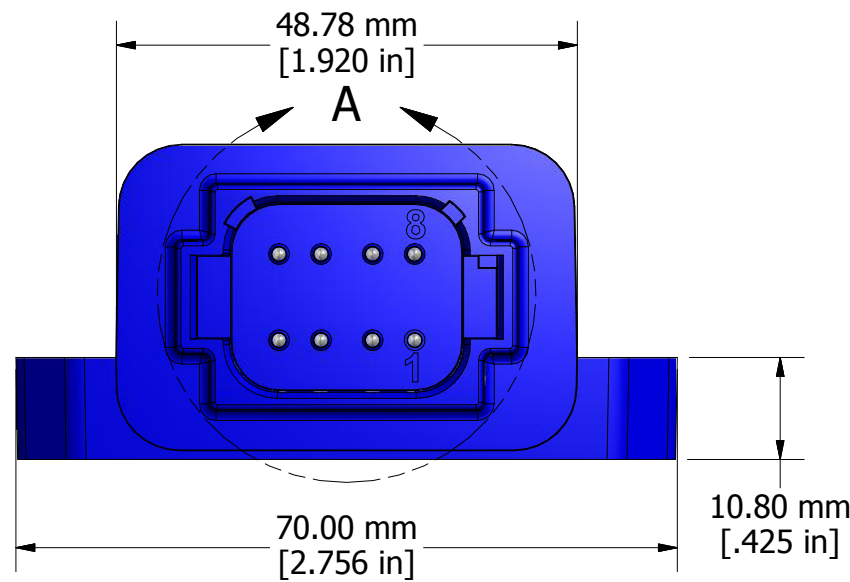
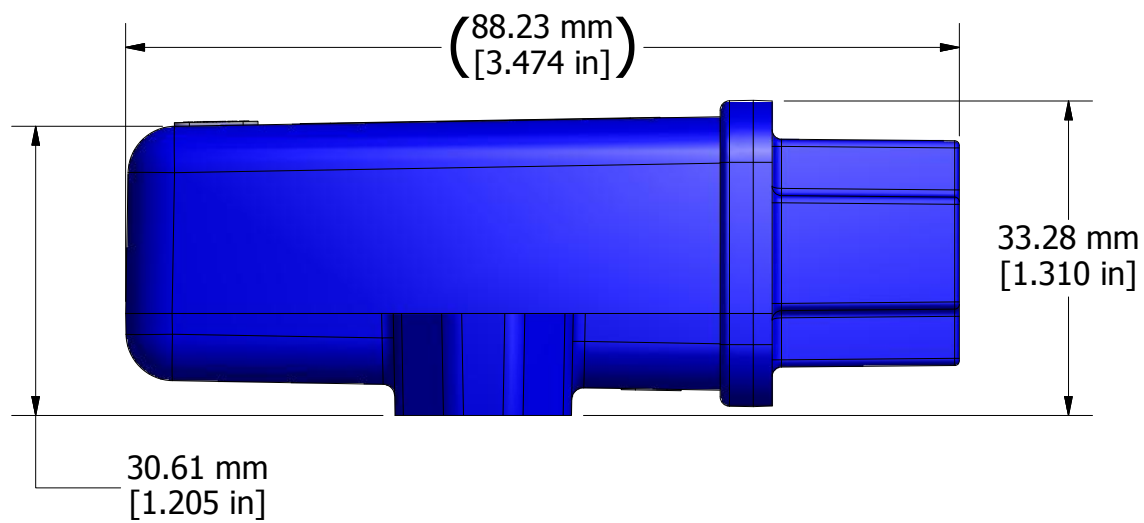
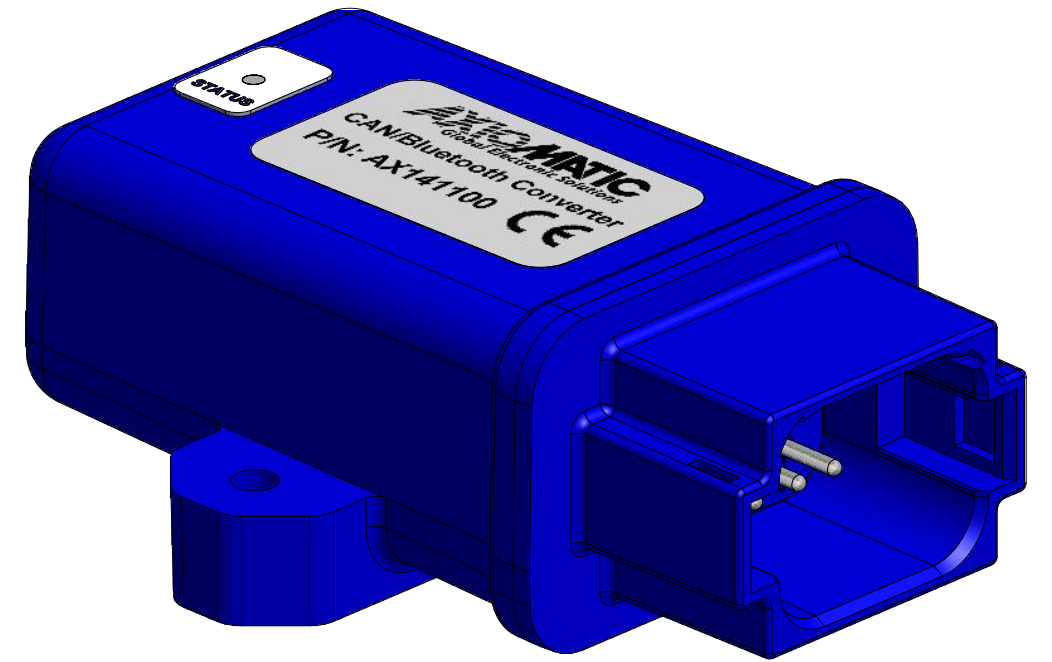


DETAIL A
molded in Deutsch IPD receptacle,
based on DT04-08PA, mates
with DT06-08SA



label detail

TOLERANCES			
fabrication		machining	
X.XXX	+/- 0.015	X.XXX	+/- 0.001
X.XX	+/- 0.031	X.XX	+/- 0.005
X.X	+/- 0.031	X.X	+/- 0.015
fractional	+/- 0.031	fractional	+/- 0.031

<small>PROPRIETARY</small> THE INFORMATION CONTAINED IN THIS DRAWING IS CONFIDENTIAL AND PROPRIETARY AND REMAINS THE EXCLUSIVE PROPERTY OF AXIOMATIC TECHNOLOGIES CORPORATION. THIS DRAWING MAY NOT BE USED, REPRODUCED IN WHOLE OR IN PART, NOR REVEALED TO OTHERS WITHOUT THE PRIOR WRITTEN CONSENT OF AXIOMATIC TECHNOLOGIES CORPORATION. BY ACCEPTANCE OF THIS DRAWING, THE BEARER AGREES TO THESE CONDITIONS.		AXIOMATIC Global Electronic Solutions AXIOMATIC TECHNOLOGIES CORPORATION 5915 WALLACE ST. MISSISSAUGA, ON CANADA L4Z1Z8 905-602-9270	
MATERIAL	DRAWN	DATE	TITLE
injection molded glass filled PA66 ultrasonically welded	TF	8/27/2015	CAN/Bluetooth Converter
	CHECKED	DATE	DWG REV
	DL		D1
	APPROVED	DATE	SCALE
	DL		full
			DWG NO
			AX141100-MD
			PART NO
			AX020200
			PART REV
			A
			SHEET
			1 of 1