

6.688 in [169.86 mm]

3.188 in [80.96 mm]

TE Deutsch DT04-3P receptacle

8 position M12 female, A coded

B

B

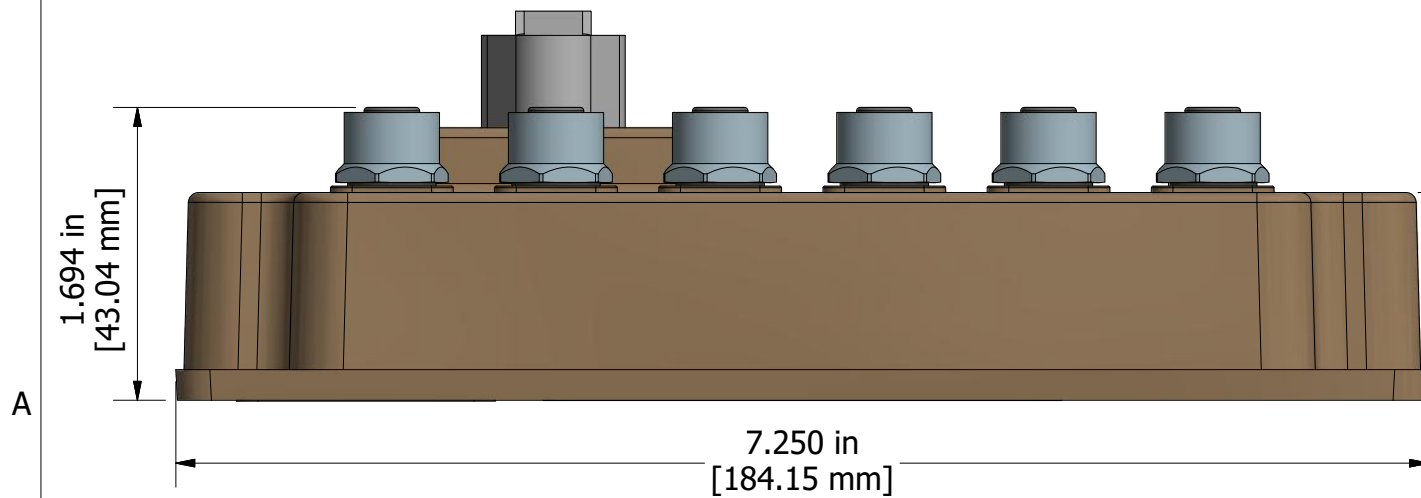
This device complies with Part 15 of the FCC Rules. Operation is subject to the following two conditions: (1) this device may not cause harmful interference, and (2) this device must accept any interference received, including interference that may cause undesired operation.

WARNING
Hot Surface
Do Not Touch!

LBM-AX140701-03-R1
FCC label

LBM-AX080150-04-R1
warning label

Ø0.287 in [7.30 mm] to suit an M6 or 1/4" bolt (4)



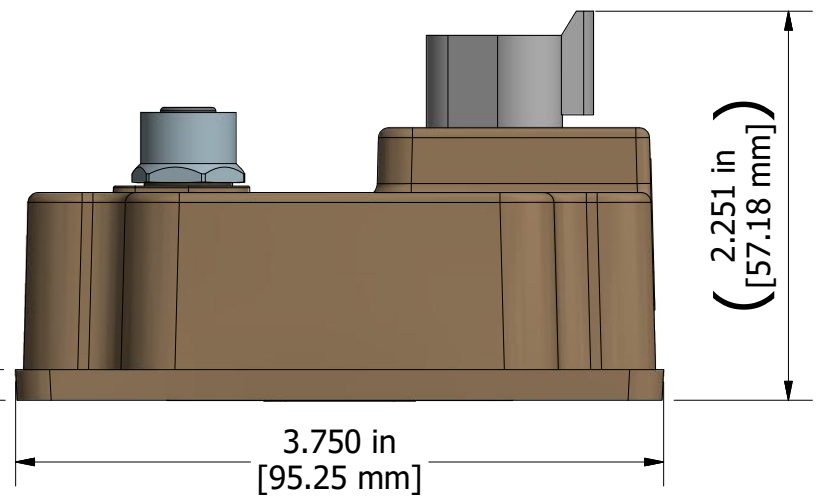
1.694 in [43.04 mm]

7.250 in [184.15 mm]

A

A

1.202 in [30.53 mm]



2.251 in [57.18 mm]

3.750 in [95.25 mm]

0.177 in [4.50 mm]

AXIOMATIC
Global Electronic Solutions
ETHERNET SWITCH 6 PORT
PART NUMBER: AX140700 Rev C
SERIAL NUMBER: 0010918229
MADE BY AXIOMATIC CANADA

LBM-AX140700C-03-R1
device plate bottom label

<p>TOLERANCES</p> <table border="1"> <tr> <th>fabrication</th> <th>machining</th> </tr> <tr> <td>X.XXX +/- 0.015"</td> <td>X.XXX +/- 0.005"</td> </tr> <tr> <td>X.XX +/- 0.031"</td> <td>X.XX +/- 0.010"</td> </tr> <tr> <td>X.X +/- 0.031"</td> <td>X.X +/- 0.015"</td> </tr> <tr> <td>fractional +/- 0.031"</td> <td>fractional +/- 0.031"</td> </tr> </table>		fabrication	machining	X.XXX +/- 0.015"	X.XXX +/- 0.005"	X.XX +/- 0.031"	X.XX +/- 0.010"	X.X +/- 0.031"	X.X +/- 0.015"	fractional +/- 0.031"	fractional +/- 0.031"	<p>PROPRIETARY</p> <p>THE INFORMATION CONTAINED IN THIS DRAWING IS CONFIDENTIAL AND PROPRIETARY AND REMAINS THE EXCLUSIVE PROPERTY OF AXIOMATIC TECHNOLOGIES CORPORATION. THIS DRAWING MAY NOT BE USED, REPRODUCED IN WHOLE OR IN PART, NOR REVEALED TO OTHERS WITHOUT THE PRIOR WRITTEN CONSENT OF AXIOMATIC TECHNOLOGIES CORPORATION. BY ACCEPTANCE OF THIS DRAWING, THE BEARER AGREES TO THESE CONDITIONS.</p>	<p>AXIOMATIC TECHNOLOGIES CORPORATION 5915 WALLACE ST. MISSISSAUGA, ON CANADA L4Z1Z8 905-602-9270</p>
fabrication	machining												
X.XXX +/- 0.015"	X.XXX +/- 0.005"												
X.XX +/- 0.031"	X.XX +/- 0.010"												
X.X +/- 0.031"	X.X +/- 0.015"												
fractional +/- 0.031"	fractional +/- 0.031"												
<p>MATERIAL</p>	<p>DRAWN TF</p>	<p>DATE 2020-05-04</p>	<p>TITLE Ethernet Switch, 6 Port, anodized housing</p>										
<p>FINISH</p>	<p>CHECKED</p>	<p>DATE</p>	<p>DWG REV D2</p>										
	<p>APPROVED</p>	<p>DATE</p>	<p>DWG NO AX140700C-MD</p>										
			<p>PART NO AX140700C</p>										
			<p>SHEET 1 of 1</p>										

4

3

2

1