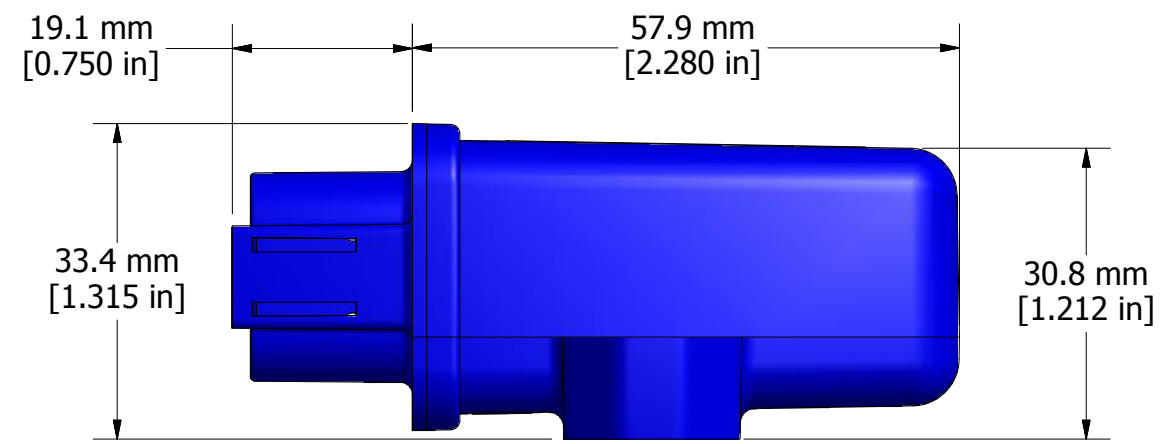
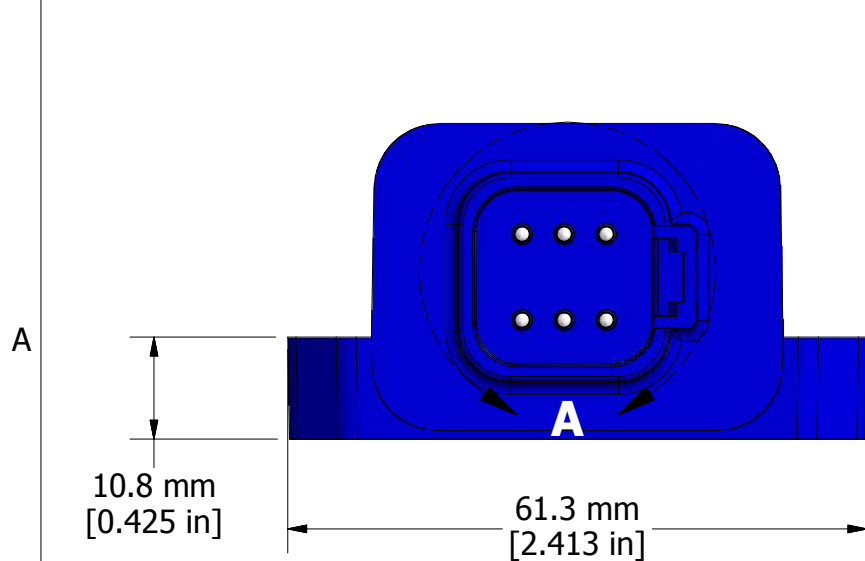


DETAIL A
 molded in Deutsch IPD DT04-6P receptacle
 mates with: Deutsch IPD DT06-6S



label detail

TOLERANCES fabrication machining X.XXX +/- 0.015 X.XXX +/- 0.001 X.XX +/- 0.031 X.XX +/- 0.005 X.X +/- 0.031 X.X +/- 0.015 fractional +/- 0.031 fractional +/- 0.031		MATERIAL PA66 30%GF ultrasonically welded enclosure		DRAWN TF	DATE March 11-2020	TITLE LIN/CAN Protocol Converter, Enhanced		
		CHECKED DL	DATE	DWG REV D1	DWG NO AX140600-03-MD	PART REV 1		
		APPROVED DL	DATE	SCALE full	PART NO AX140600-03	SHEET 1 of 1		

<small>PROPRIETARY</small> THE INFORMATION CONTAINED IN THIS DRAWING IS CONFIDENTIAL AND PROPRIETARY AND REMAINS THE EXCLUSIVE PROPERTY OF AXIOMATIC TECHNOLOGIES CORPORATION. THIS DRAWING MAY NOT BE USED, REPRODUCED IN WHOLE OR IN PART, NOR REVEALED TO OTHERS WITHOUT THE PRIOR WRITTEN CONSENT OF AXIOMATIC TECHNOLOGIES CORPORATION. BY ACCEPTANCE OF THIS DRAWING, THE BEARER AGREES TO THESE CONDITIONS.						AXIOMATIC TECHNOLOGIES CORPORATION 5915 WALLACE ST. MISSISSAUGA, ON CANADA L4Z1Z8 905-602-9270		
AXIOMATIC Global Electronic Solutions						LIN/CAN CONVERTER P/N: AX140600-03		