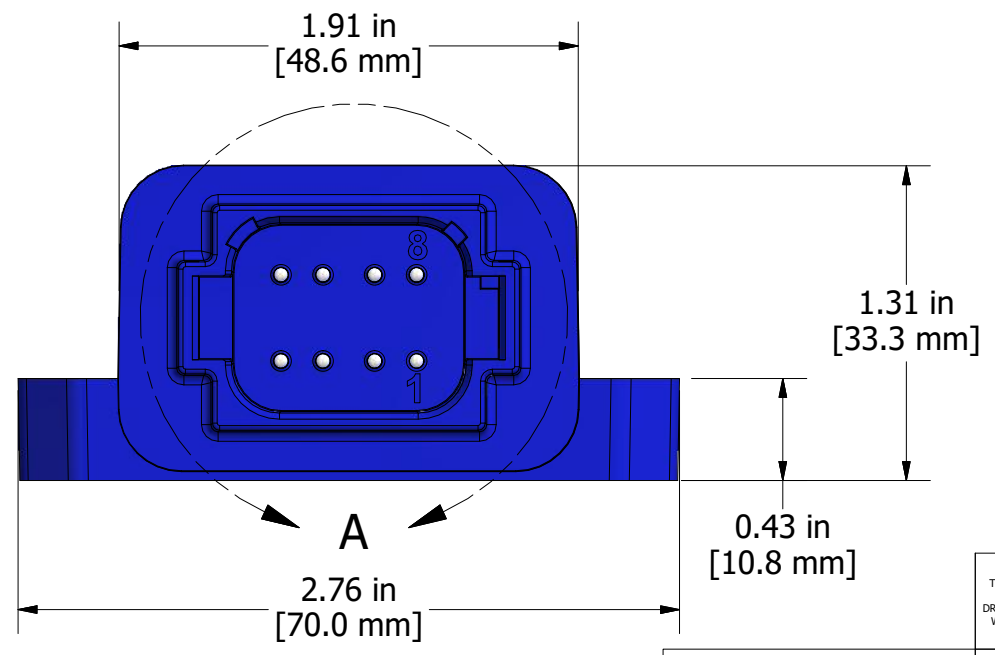


DETAIL A
Molded in Deutsch IPD receptacle, based on DT04-08PA, mates with DT06-08SA

CONNECTOR PIN ASSIGNMENT			
PIN	FUNCTION	PIN	FUNCTION
1	BATT -	5	CAN_H
2		6	CAN_SHIELD
3		7	
4	CAN_L	8	BATT+



REVISION HISTORY			
REV	DESCRIPTION	DATE	APPROVED
P1-D1	PRODUCTION PILOT	2020-05-19	GDV
A-D1	RELEASED TO PRODUCTION (RFA21-0090)	2021-10-04	GDV



Unit Label

DIMENSIONS ARE IN INCHES UNLESS OTHERWISE SPECIFIED IN DRAWING TOLERANCE ON:		MATERIAL NA		DRAWN EL	DATE 2020-05-19	TITLE Protocol Converter SAE J2497, PLC/J1939 CAN				
FABRICATION	X.XXX ± 0.015	MACHINING	X.XXX ± 0.005	FINISH	NA	CHECKED	DATE	DWG REV	DWG NO	PART REV
	X.XX ± 0.01		X.XX ± 0.01	THIRD ANGLE PROJECTION	TOOL	AZ	2020-05-19	D1	AX140510-MD	A
	X.X ± 0.1		X.X ± 0.1	INVENTOR	APPROVED	GDV	DATE	SCALE	PART NO	SHEET
ANGLES	± 1.0	ANGLES	± 1.0	SIZE	B	GDV	2020-05-19	1	AX140510	1 of 1

PROPRIETARY
THE INFORMATION CONTAINED IN THIS DRAWING IS CONFIDENTIAL AND PROPRIETARY AND REMAINS THE EXCLUSIVE PROPERTY OF AXIOMATIC TECHNOLOGIES CORPORATION. THIS DRAWING MAY NOT BE USED, REPRODUCED IN WHOLE OR IN PART, NOR REVEALED TO OTHERS WITHOUT THE PRIOR WRITTEN CONSENT OF AXIOMATIC TECHNOLOGIES CORPORATION. BY ACCEPTANCE OF THIS DRAWING, THE BEARER AGREES TO THESE CONDITIONS.

AXIOMATIC TECHNOLOGIES CORPORATION
5915 WALLACE ST.
MISSISSAUGA, ON
CANADA L4Z 1Z8
905-602-9270