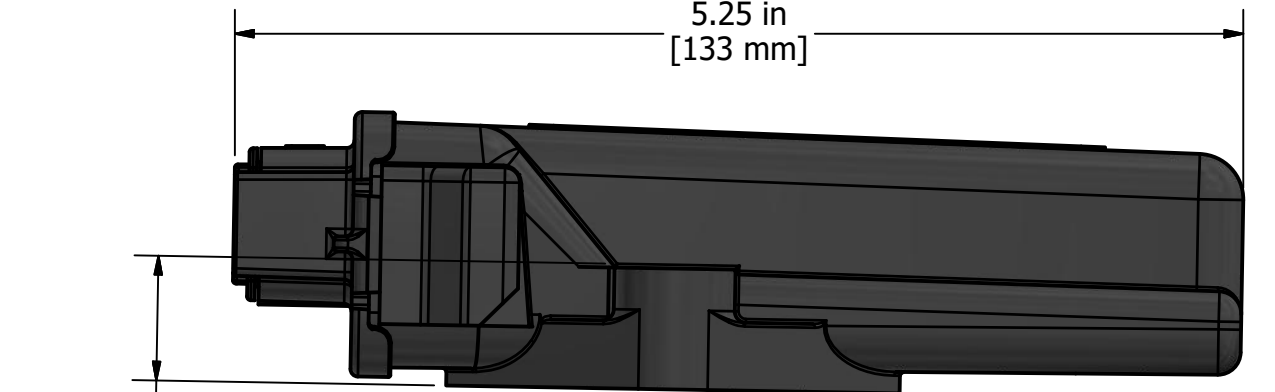
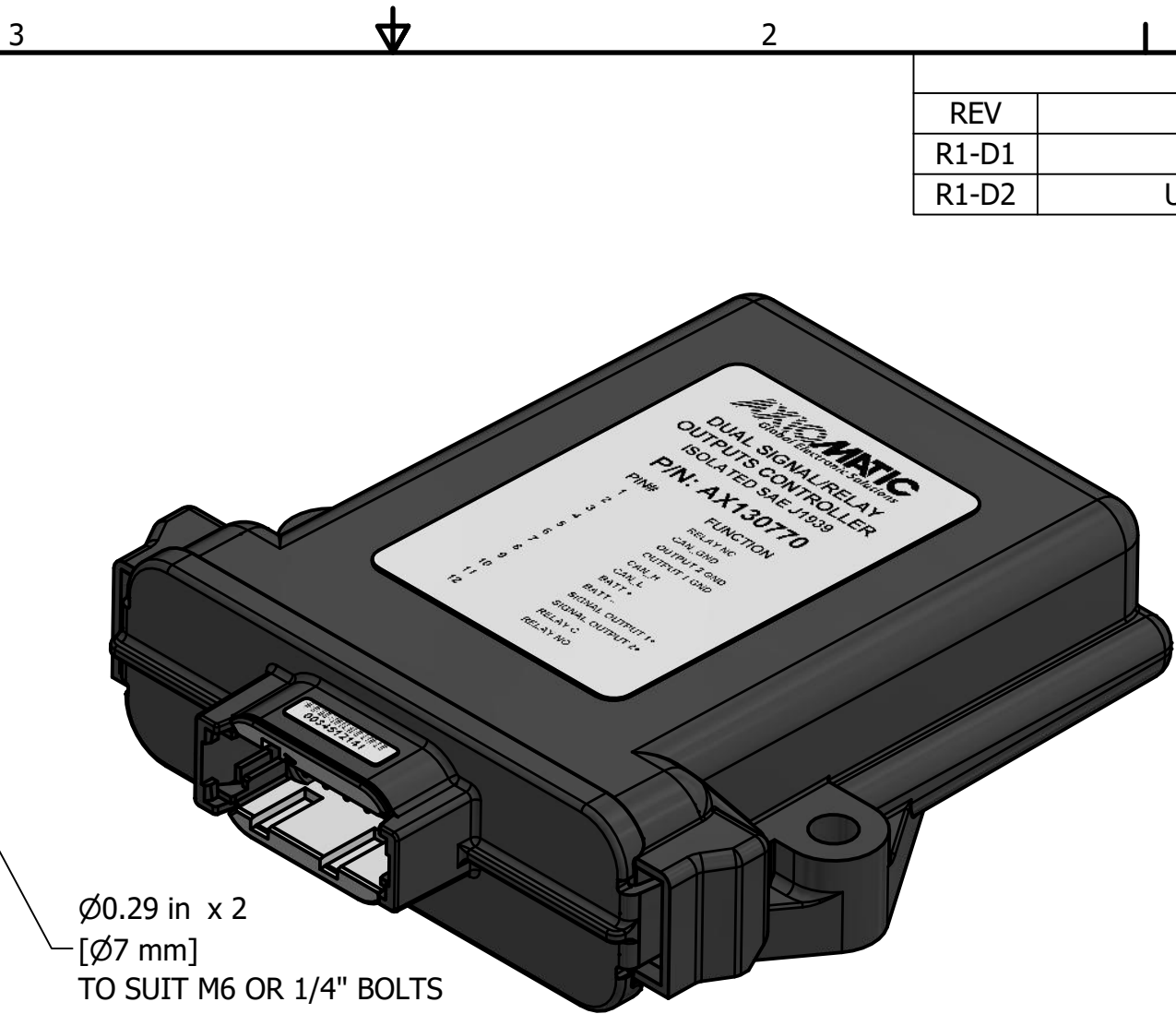
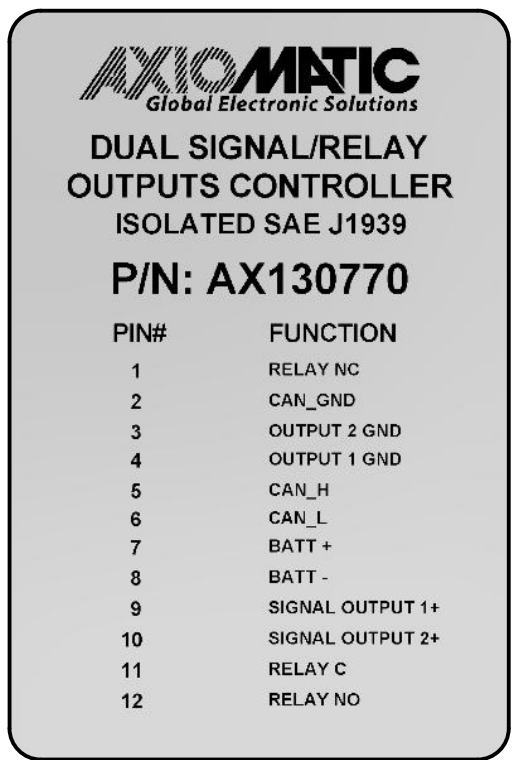


BLACK RECEPTACLE  
DTM13-12PA  
MATES WITH DTM06-12SA



REVISION HISTORY			
REV	DESCRIPTION	DATE	APPROVED
R1-D1	PROTOTYPE	2019-06-24	GDV
R1-D2	UPDATED LABEL	2019-09-04	GDV



PIN#	FUNCTION
1	RELAY NC
2	CAN_GND
3	OUTPUT 2 GND
4	OUTPUT 1 GND
5	CAN_H
6	CAN_L
7	BATT +
8	BATT -
9	SIGNAL OUTPUT 1+
10	SIGNAL OUTPUT 2+
11	RELAY C
12	RELAY NO

UNIT LABEL

DIMENSIONS ARE IN INCHES UNLESS OTHERWISE SPECIFIED IN DRAWING TOLERANCE ON:		MATERIAL NA		DRAWN AZ		DATE 2019-07-18		TITLE DUAL SIGNAL/RELAY OUTPUTS CONTROLLER SAE J1939	
FABRICATION X.XXX ± 0.015 X.XX ± 0.01 X.X ± 0.1 ANGLES ± 1.0		MACHINING X.XXX ± 0.005 X.XX ± 0.01 X.X ± 0.1 ANGLES ± 1.0		FINISH NA		CHECKED TF		DATE 2019-07-18	
		THIRD ANGLE PROJECTION		TOOL INVENTOR SIZE		APPROVED GDV		DATE 2019-07-18	
				B		SCALE 1		DWG REV D2	
						DWG NO AX130770-MD		PART REV R1	
						PART NO AX130770		SHEET 1 of 1	

PROPRIETARY  
 THE INFORMATION CONTAINED IN THIS DRAWING IS CONFIDENTIAL AND PROPRIETARY AND  
 REMAINS THE EXCLUSIVE PROPERTY OF AXIOMATIC TECHNOLOGIES CORPORATION. THIS  
 DRAWING MAY NOT BE USED, REPRODUCED IN WHOLE OR IN PART, NOR REVEALED TO OTHERS  
 WITHOUT THE PRIOR WRITTEN CONSENT OF AXIOMATIC TECHNOLOGIES CORPORATION. BY  
 ACCEPTANCE OF THIS DRAWING, THE BEARER AGREES TO THESE CONDITIONS.

AXIOMATIC  
 Global Electronic Solutions  
 AXIOMATIC TECHNOLOGIES  
 CORPORATION  
 5915 WALLACE ST.  
 MISSISSAUGA, ON  
 CANADA L4Z 1Z8  
 905-602-9270