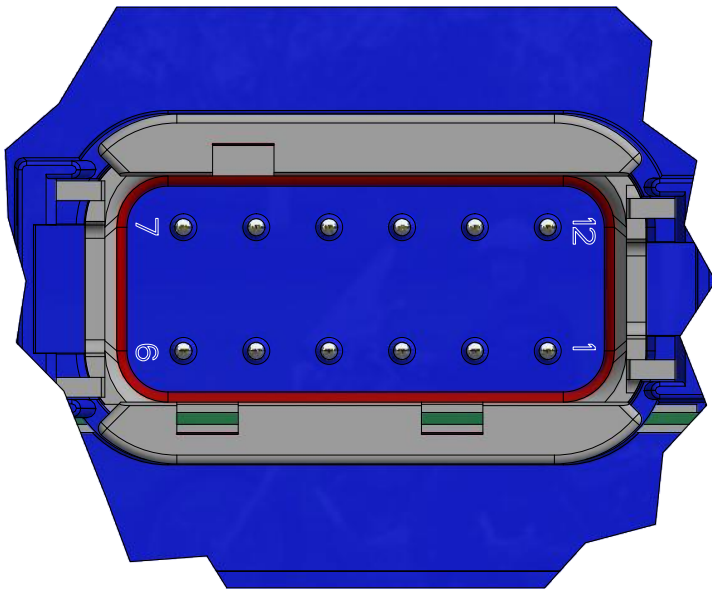
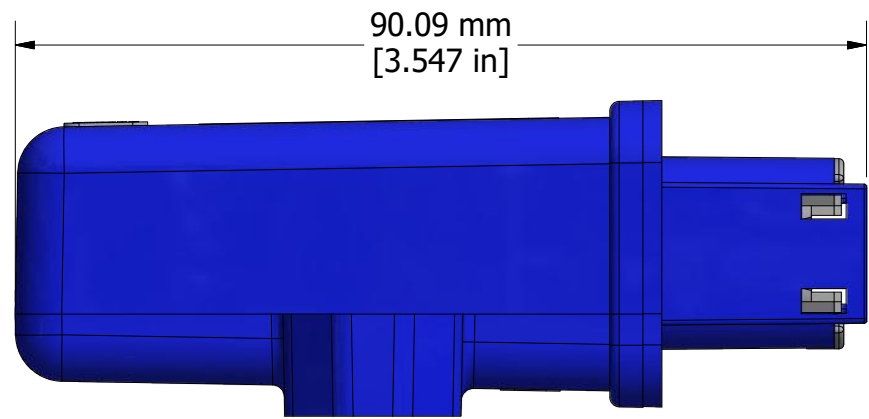


56.00 mm
[2.205 in]

30.58 mm
[1.204 in]

52.24 mm
[2.057 in]

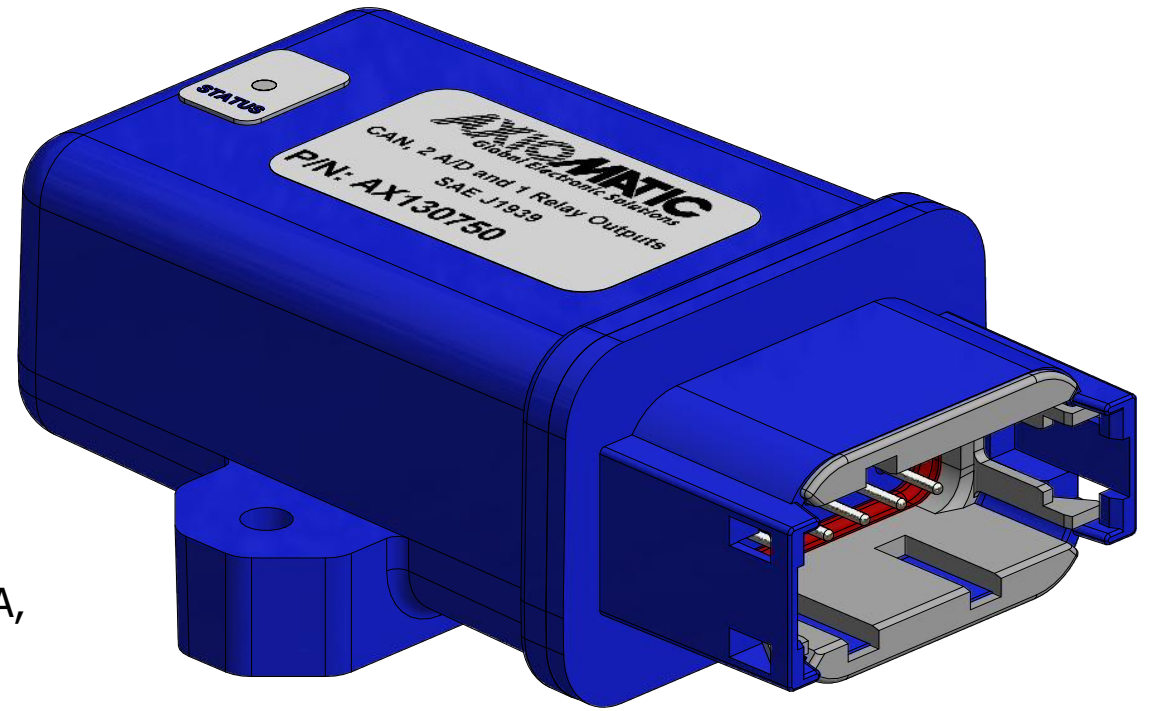


DETAIL A

molded in TE Deutsch receptacle DTM04-12PA,
mates with DTM06-12SA

connector pin assignment

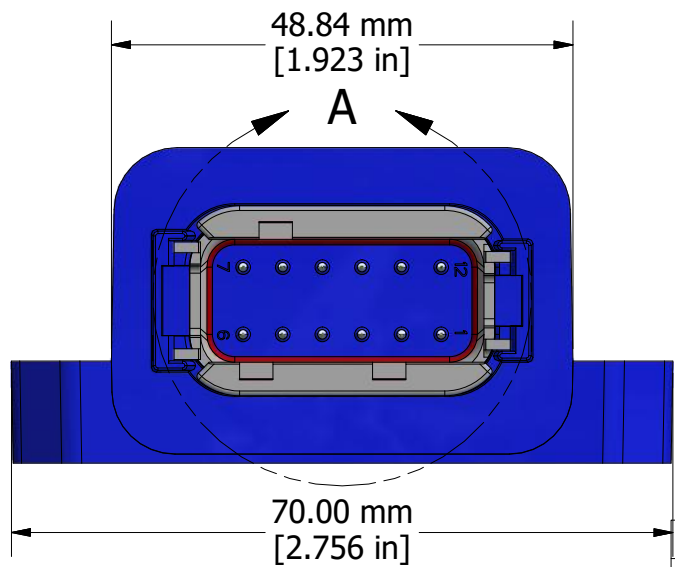
PIN	FUNCTION	PIN	FUNCTION
1	NC	7	BATT +
2	-	8	BATT -
3	OUTGND 1	9	AD OUT 2
4	OUTGND 2	10	AD OUT 1
5	CAN_H	11	C
6	CAN_L	12	NO



AXIOMATIC
Global Electronic Solutions

CAN, 2 A/D and 1 Relay Outputs
SAE J1939
P/N: AX130750

label detail



10.80 mm
[.425 in]

TOLERANCES

fabrication		machining	
X.XXX	+/- 0.015	X.XXX	+/- 0.001
X.XX	+/- 0.031	X.XX	+/- 0.005
X.X	+/- 0.031	X.X	+/- 0.015
fractional	+/- 0.031	fractional	+/- 0.031

<small>PROPRIETARY</small> <small>THE INFORMATION CONTAINED IN THIS DRAWING IS CONFIDENTIAL AND PROPRIETARY AND REMAINS THE EXCLUSIVE PROPERTY OF AXIOMATIC TECHNOLOGIES CORPORATION. THIS DRAWING MAY NOT BE USED, REPRODUCED IN WHOLE OR IN PART, NOR REVEALED TO OTHERS WITHOUT THE PRIOR WRITTEN CONSENT OF AXIOMATIC TECHNOLOGIES CORPORATION. BY ACCEPTANCE OF THIS DRAWING, THE BEARER AGREES TO THESE CONDITIONS.</small>		<small>AXIOMATIC TECHNOLOGIES CORPORATION</small> <small>5915 WALLACE ST.</small> <small>MISSISSAUGA, ON</small> <small>CANADA L4Z1Z8</small> <small>905-602-9270</small>		
<small>MATERIAL</small> injection molded glass filled PA66 ultrasonically welded		<small>DRAWN</small> TF	<small>DATE</small> 2019-11-18	<small>TITLE</small> Dual Analog, Single Relay Output, J1939
<small>CHECKED</small> DL	<small>DATE</small>	<small>DWG REV</small> D1	<small>DWG NO</small> AX130750-MD	<small>PART REV</small> 3
<small>APPROVED</small> DL	<small>DATE</small>	<small>SCALE</small> full	<small>PART NO</small> AX130750	<small>SHEET</small> 1 of 1