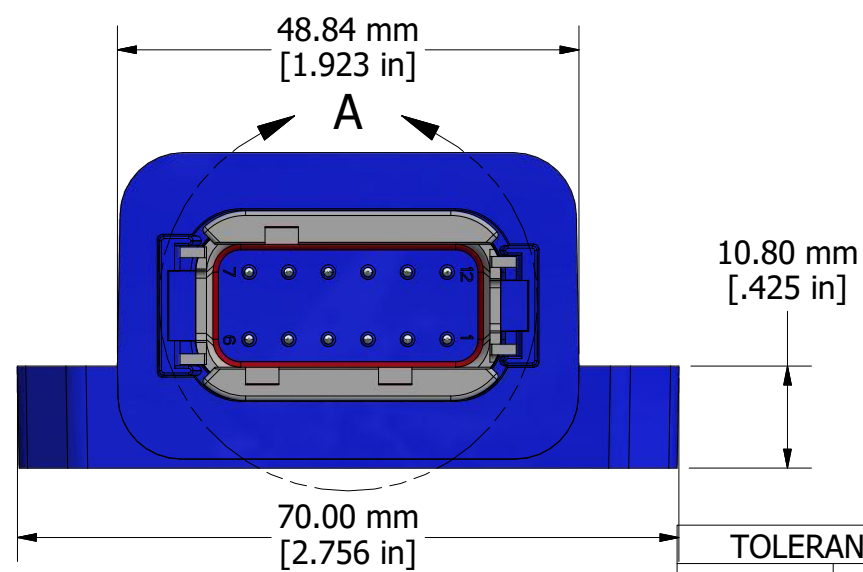
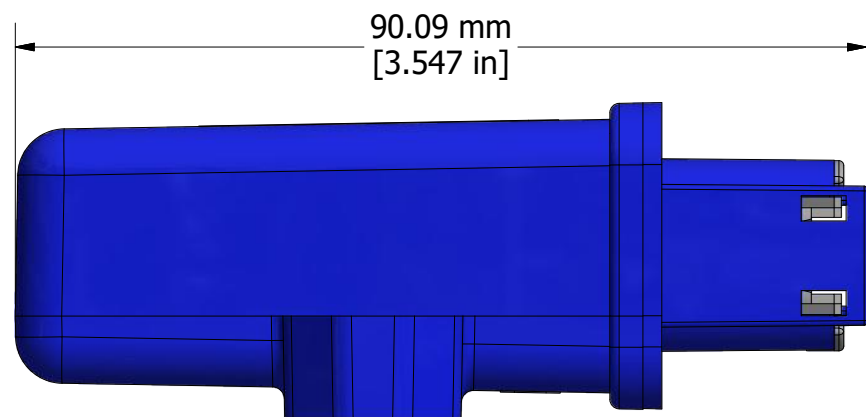
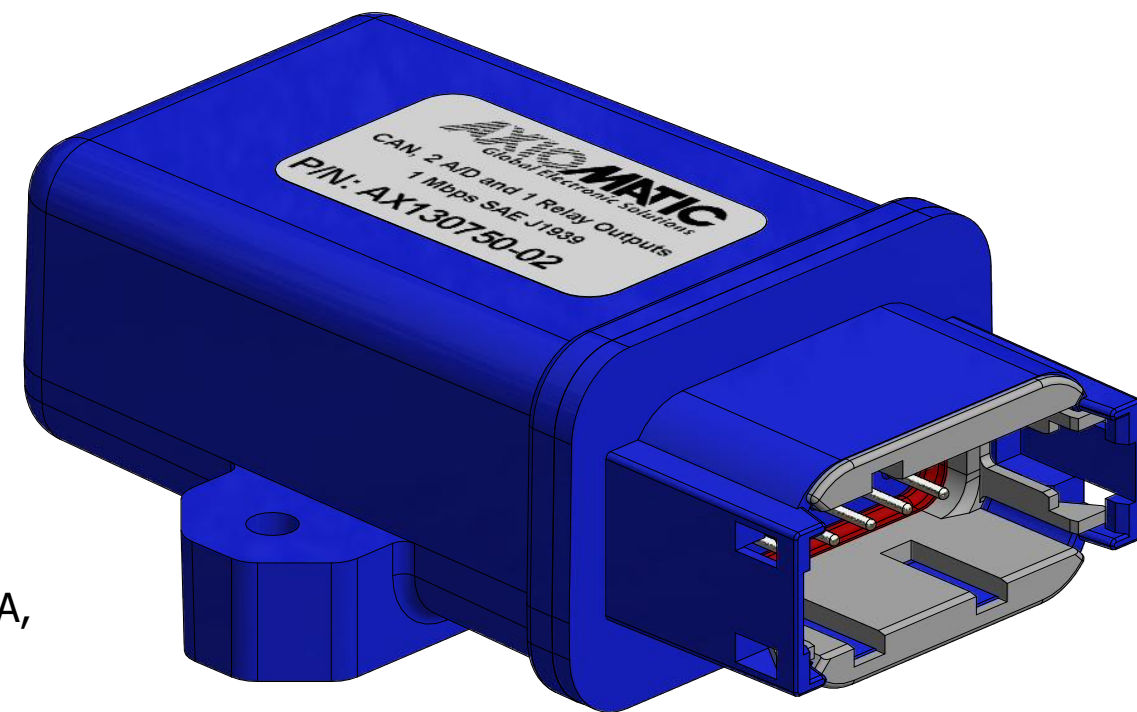


DETAIL A
molded in TE Deutsch receptacle DTM04-12PA,
mates with DTM06-12SA

connector pin assignment			
PIN	FUNCTION	PIN	FUNCTION
1	NC	7	BATT +
2	-	8	BATT -
3	OUTGND 1	9	AD OUT 2
4	OUTGND 2	10	AD OUT 1
5	CAN_H	11	C
6	CAN_L	12	NO



label detail

TOLERANCES		MATERIAL		DRAWN		DATE		TITLE			
fabrication	X.XXX +/- 0.015	machining	X.XXX +/- 0.001	TF	2019-11-29	Dual Analog, Single Relay Output, J1939, 1 mbps					
X.XX	+/- 0.031	X.XX	+/- 0.005	CHECKED	DL	DWG REV	D1	DWG NO	AX130750-02-MD	PART REV	3
X.X	+/- 0.031	X.X	+/- 0.015	APPROVED	DL	SCALE	full	PART NO	AX130750-02	SHEET	1 of 1
fractional	+/- 0.031	fractional	+/- 0.031								

AXIOMATIC TECHNOLOGIES CORPORATION											
THE INFORMATION CONTAINED IN THIS DRAWING IS CONFIDENTIAL AND PROPRIETARY AND REMAINS THE EXCLUSIVE PROPERTY OF AXIOMATIC TECHNOLOGIES CORPORATION. THIS DRAWING MAY NOT BE USED, REPRODUCED IN WHOLE OR IN PART, NOR REVEALED TO OTHERS WITHOUT THE PRIOR WRITTEN CONSENT OF AXIOMATIC TECHNOLOGIES CORPORATION. BY ACCEPTANCE OF THIS DRAWING, THE BEARER AGREES TO THESE CONDITIONS.											
AXIOMATIC Global Electronic Solutions 5915 WALLACE ST. MISSISSAUGA, ON CANADA L4Z1Z8 905-602-9270											