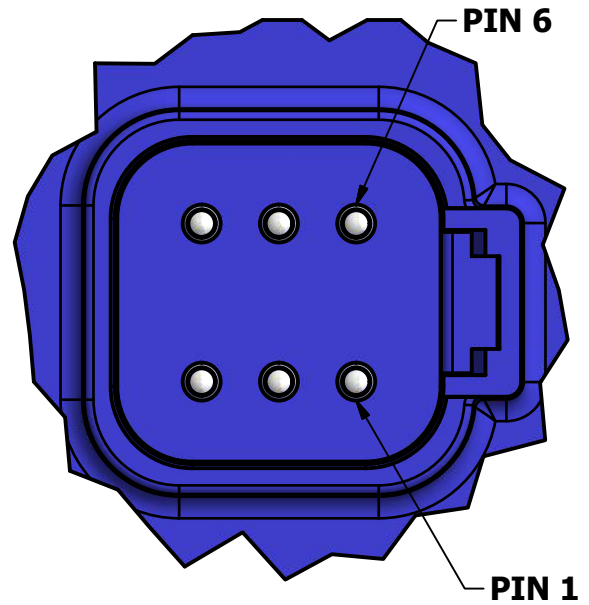
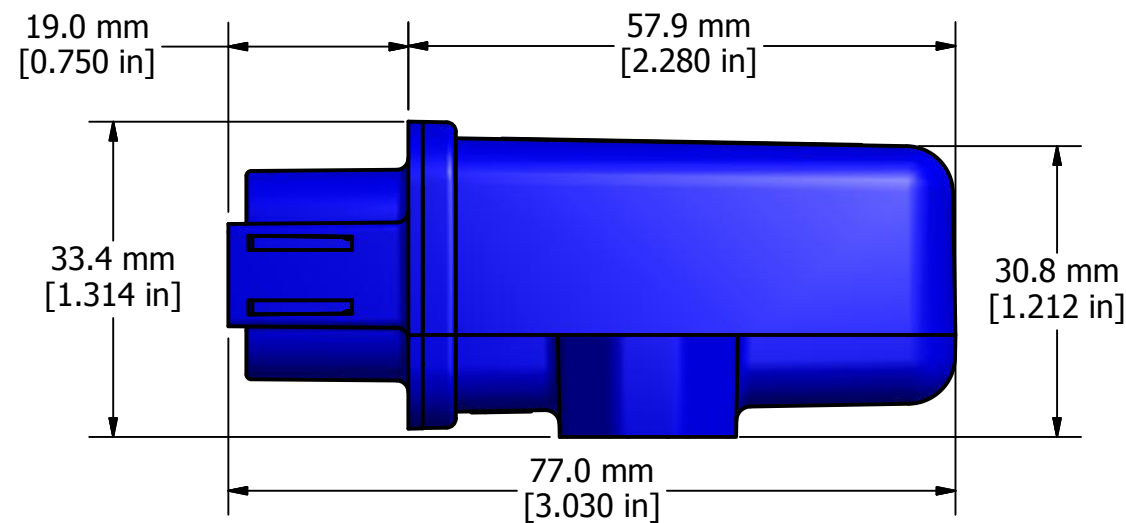
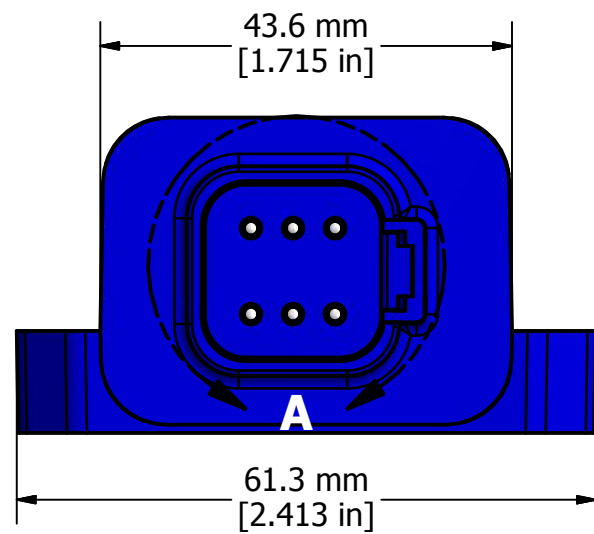
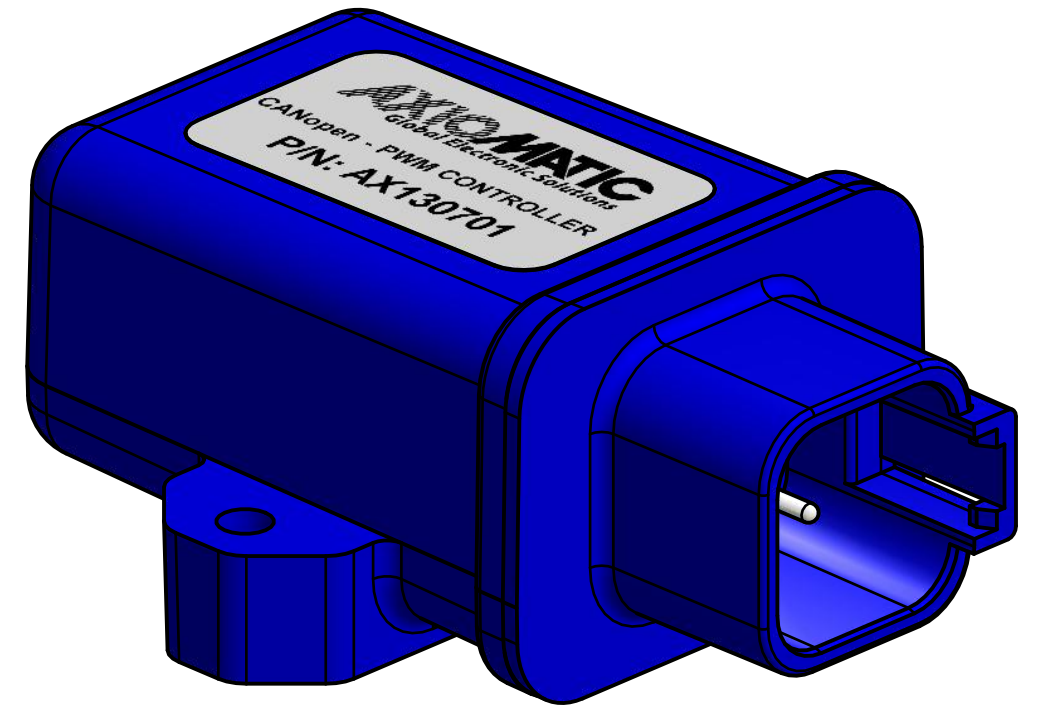


Ø4.4 mm  
[0.172 in]  
to suit an M4  
or #8 bolt  
(2 places)



**DETAIL A**

molded in Deutsch IPD DT04-6P receptacle  
mates with: Deutsch IPD DT06-6S



**label detail**

TOLERANCES			
fabrication		machining	
X.XXX	+/- 0.015	X.XXX	+/- 0.001
X.XX	+/- 0.031	X.XX	+/- 0.005
X.X	+/- 0.031	X.X	+/- 0.015
fractional	+/- 0.031	fractional	+/- 0.031

<small>PROPRIETARY</small> THE INFORMATION CONTAINED IN THIS DRAWING IS CONFIDENTIAL AND PROPRIETARY AND REMAINS THE EXCLUSIVE PROPERTY OF AXIOMATIC TECHNOLOGIES CORPORATION. THIS DRAWING MAY NOT BE USED, REPRODUCED IN WHOLE OR IN PART, NOR REVEALED TO OTHERS WITHOUT THE PRIOR WRITTEN CONSENT OF AXIOMATIC TECHNOLOGIES CORPORATION. BY ACCEPTANCE OF THIS DRAWING, THE BEARER AGREES TO THESE CONDITIONS.		AXIOMATIC TECHNOLOGIES CORPORATION 5915 WALLACE ST. MISSISSAUGA, ON CANADA L4Z1Z8 905-602-9270	
MATERIAL <b>PA66 30%GF          ultrasonically          welded          enclosure</b>		DRAWN <b>TF</b>	DATE <b>March 23-18</b>
		CHECKED <b>DL</b>	DATE
		APPROVED <b>DL</b>	DATE
		DWG REV <b>D1</b>	DWG NO <b>AX130701-MD</b>
		SCALE <b>full</b>	PART NO <b>AX130701</b>
		TITLE <b>CANopen to PWM Signal Controller</b>	
		SHEET <b>1 of 1</b>	PART REV <b>1</b>