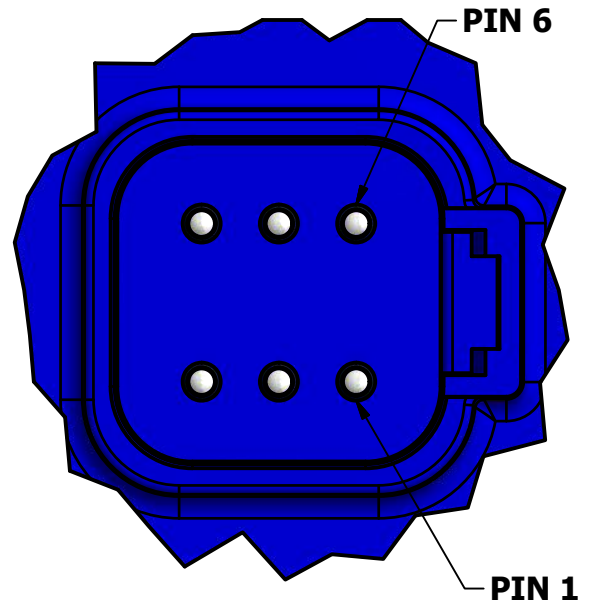
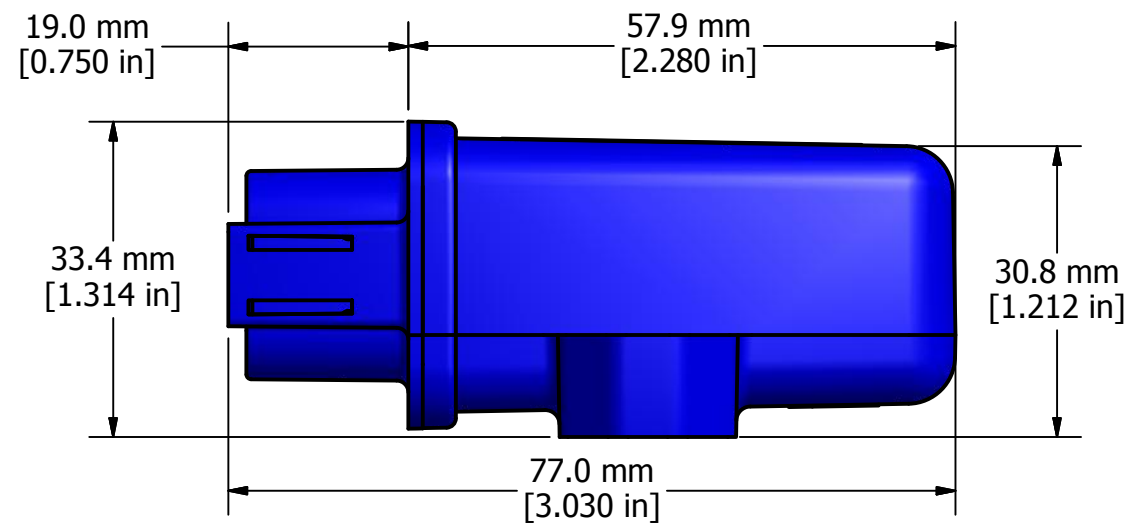
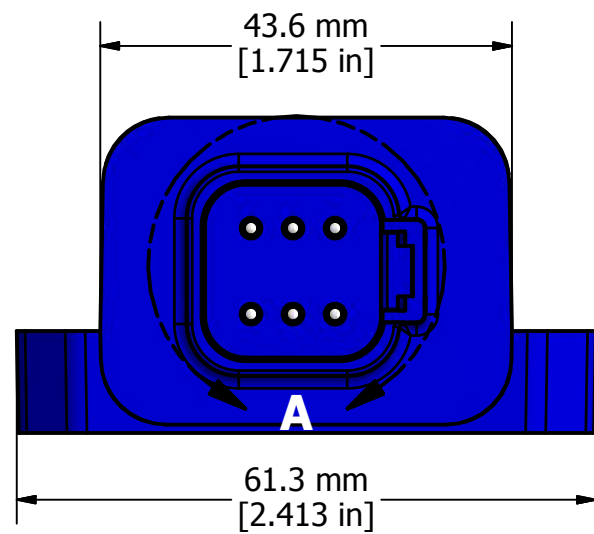
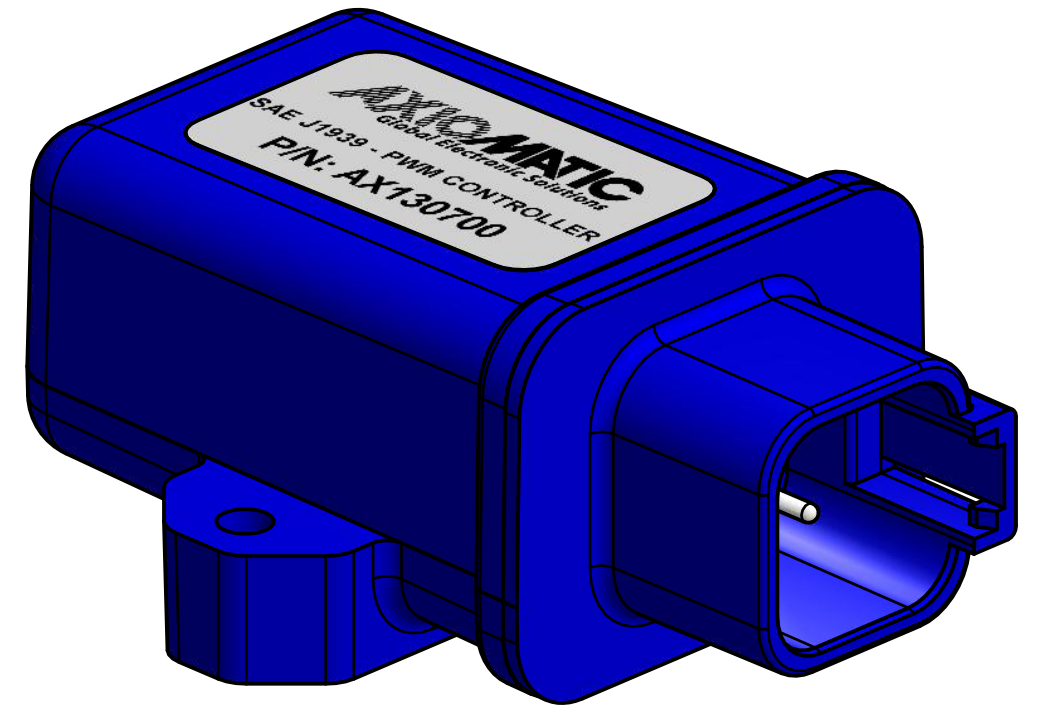


Ø4.4 mm
[0.172 in]
to suit an M4
or #8 bolt
(2 places)



DETAIL A

molded in Deutsch IPD DT04-6P receptacle
mates with: Deutsch IPD DT06-6S



label detail

TOLERANCES			
fabrication		machining	
X.XXX	+/- 0.015	X.XXX	+/- 0.001
X.XX	+/- 0.031	X.XX	+/- 0.005
X.X	+/- 0.031	X.X	+/- 0.015
fractional	+/- 0.031	fractional	+/- 0.031

<small>PROPRIETARY</small> THE INFORMATION CONTAINED IN THIS DRAWING IS CONFIDENTIAL AND PROPRIETARY AND REMAINS THE EXCLUSIVE PROPERTY OF AXIOMATIC TECHNOLOGIES CORPORATION. THIS DRAWING MAY NOT BE USED, REPRODUCED IN WHOLE OR IN PART, NOR REVEALED TO OTHERS WITHOUT THE PRIOR WRITTEN CONSENT OF AXIOMATIC TECHNOLOGIES CORPORATION. BY ACCEPTANCE OF THIS DRAWING, THE BEARER AGREES TO THESE CONDITIONS.		AXIOMATIC TECHNOLOGIES CORPORATION 5915 WALLACE ST. MISSISSAUGA, ON CANADA L4Z1Z8 905-602-9270	
MATERIAL PA66 30%GF ultrasonically welded enclosure		DRAWN TF	DATE July 28-2015
TITLE SAE J1939 CAN to PWM Signal Controller		DWG REV D1	DWG NO AX130700-MD-A
APPROVED DL		DATE	SCALE full
PART NO AX130700		SHEET 1 of 1	