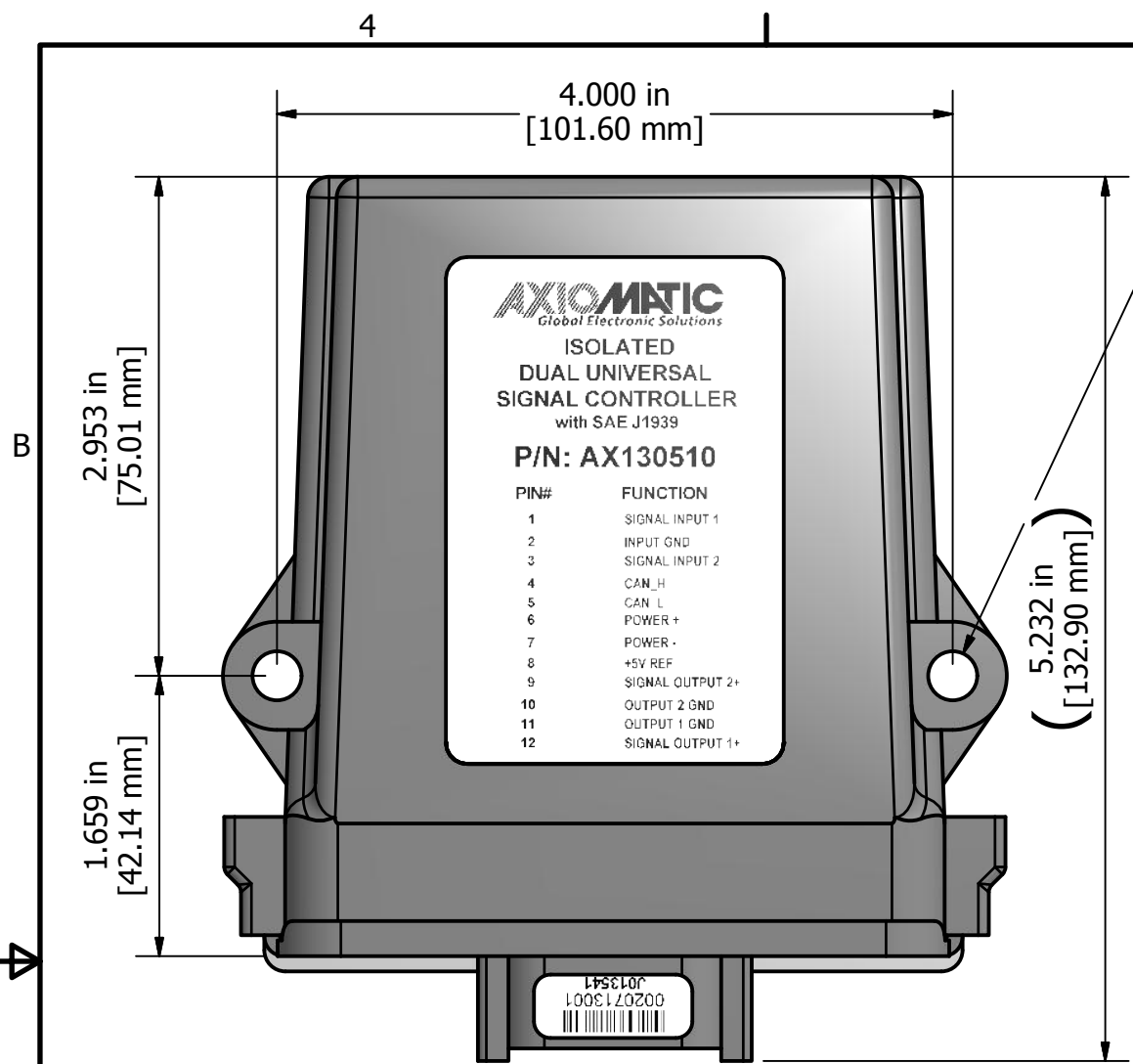
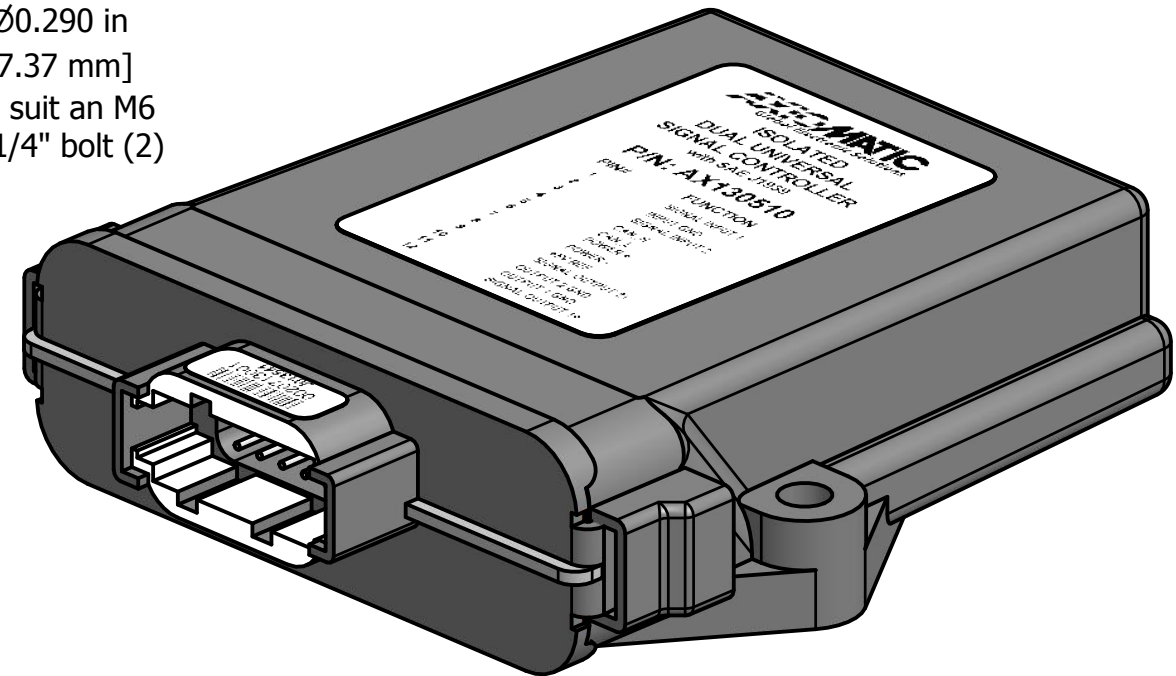


REVISION HISTORY			
REV	DESCRIPTION	DATE	APPROVED
A-D1	released to production ECN15-0099	April 1-2016	HS

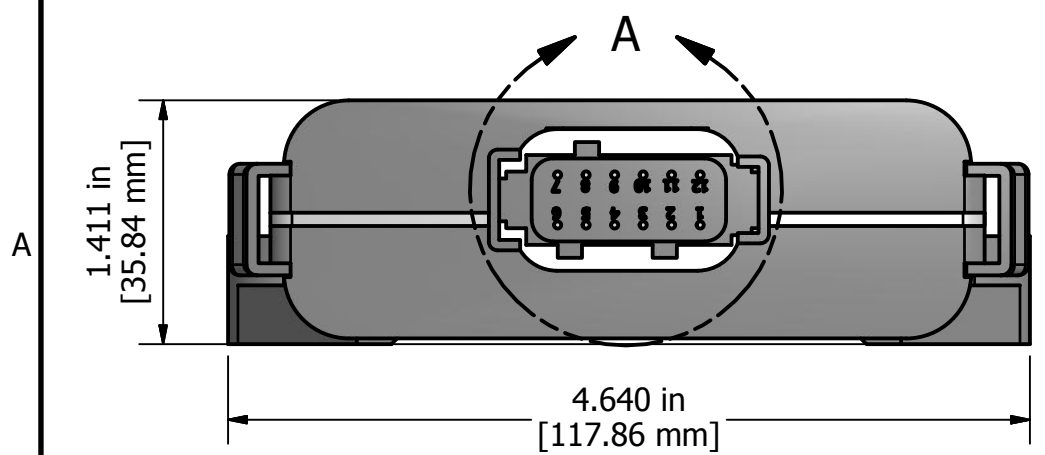


Ø0.290 in [7.37 mm] to suit an M6 or 1/4" bolt (2)

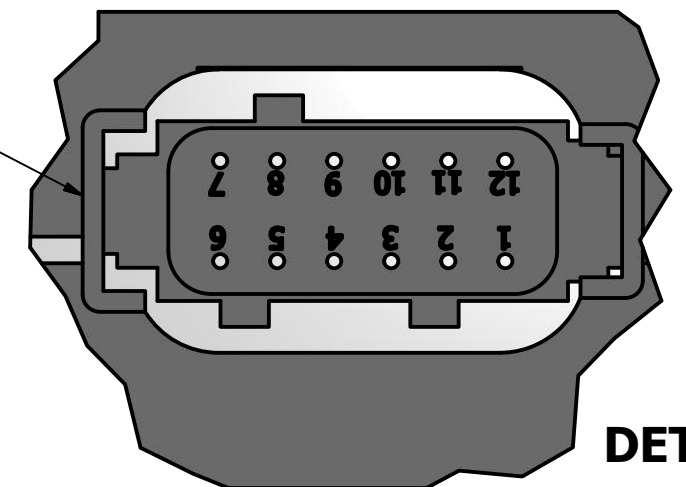


AXIOMATIC
Global Electronic Solutions
ISOLATED
DUAL UNIVERSAL
SIGNAL CONTROLLER
with SAE J1939
P/N: AX130510

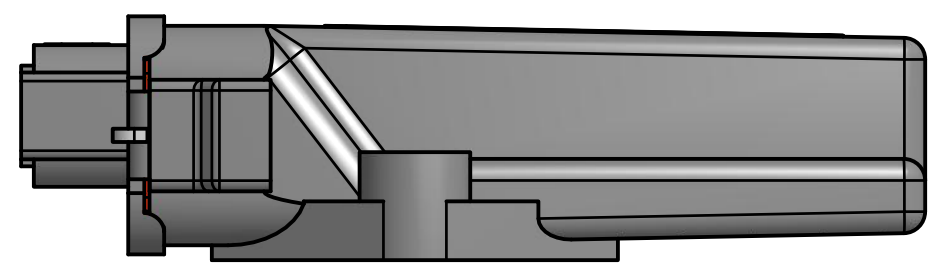
PIN#	FUNCTION
1	SIGNAL INPUT 1
2	INPUT GND
3	SIGNAL INPUT 2
4	CAN_H
5	CAN_L
6	POWER +
7	POWER -
8	+5V REF
9	SIGNAL OUTPUT 2+
10	OUTPUT 2 GND
11	OUTPUT 1 GND
12	SIGNAL OUTPUT 1+



Deutsch IPD DTM13-12PA mates with DTM06-12SA



**DETAIL A
connector
pin assignment**



TOLERANCES		MATERIAL		DRAWN	DATE	TITLE		
fabrication	machining	nylon 6/6 housing	TF	TF	4/1/2016	Isolated, Dual Channel, Universal Signal Converter, SAE J1939		
X.XXX +/- 0.015	X.XXX +/- 0.005	with silicone gasket	CHECKED	AW	4/4/2016	DWG REV	DWG NO	PART REV
X.XX +/- 0.031	X.XX +/- 0.010		APPROVED	AW		D1	AX130510-MD	A
X.X +/- 0.031	X.X +/- 0.015					SCALE	PART NO	SHEET
fractional +/- 0.031	fractional +/- 0.031					full	AX130510	1 of 1

AXIOMATIC TECHNOLOGIES CORPORATION
5915 WALLACE ST.
MISSISSAUGA, ON
CANADA L4Z1Z8
905-602-9270

AXIOMATIC
Global Electronic Solutions