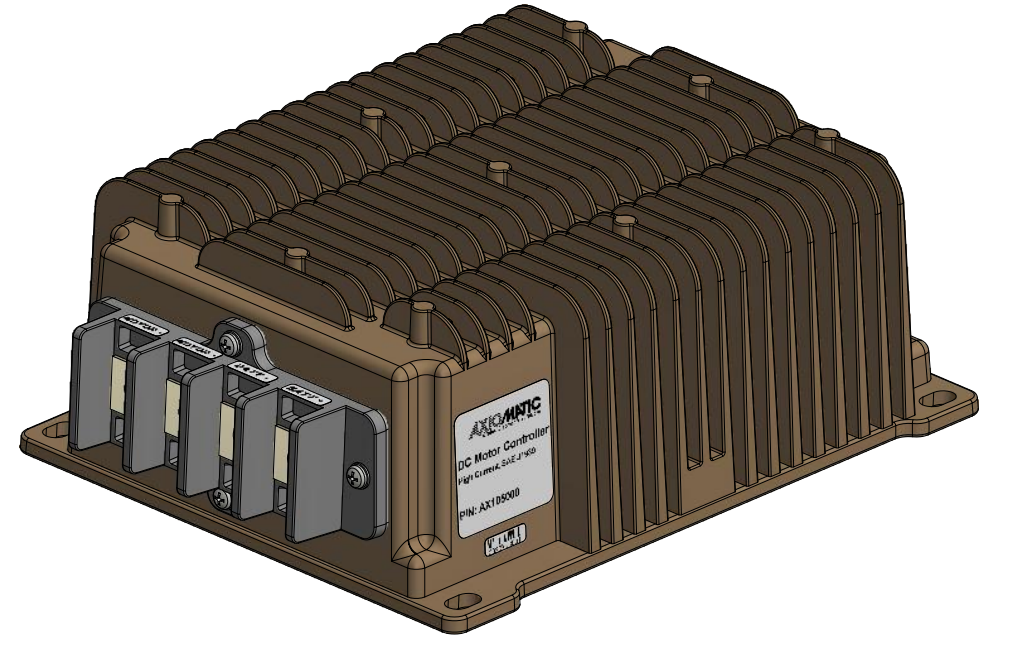
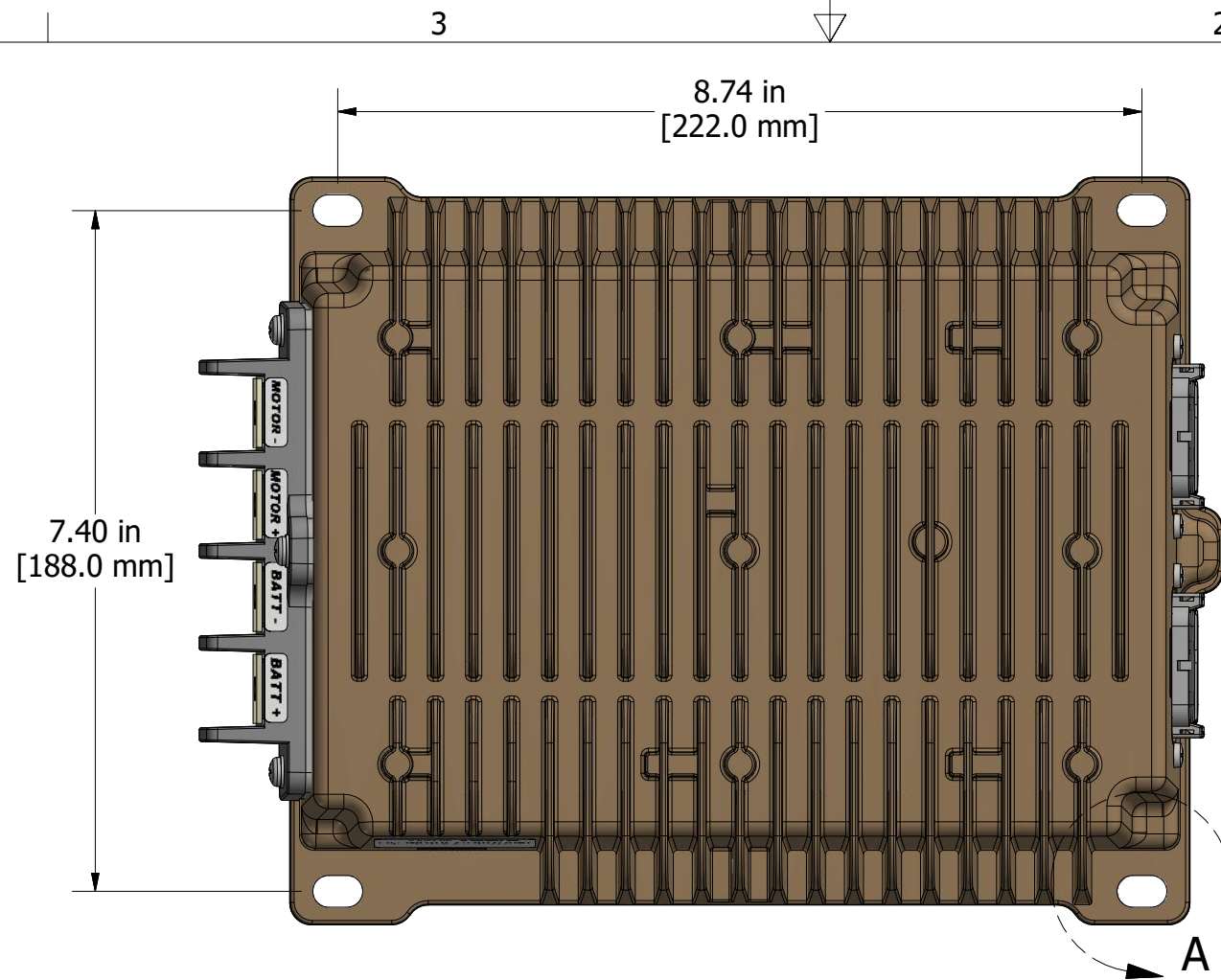
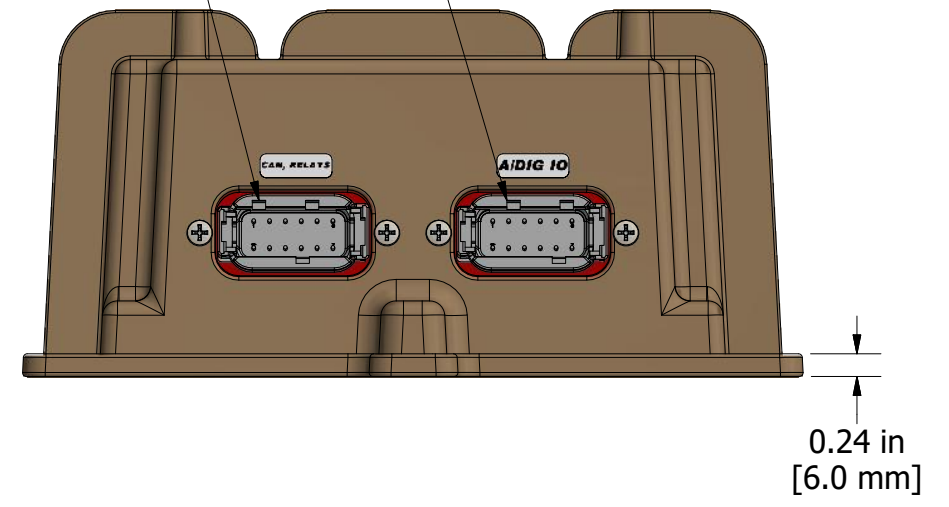
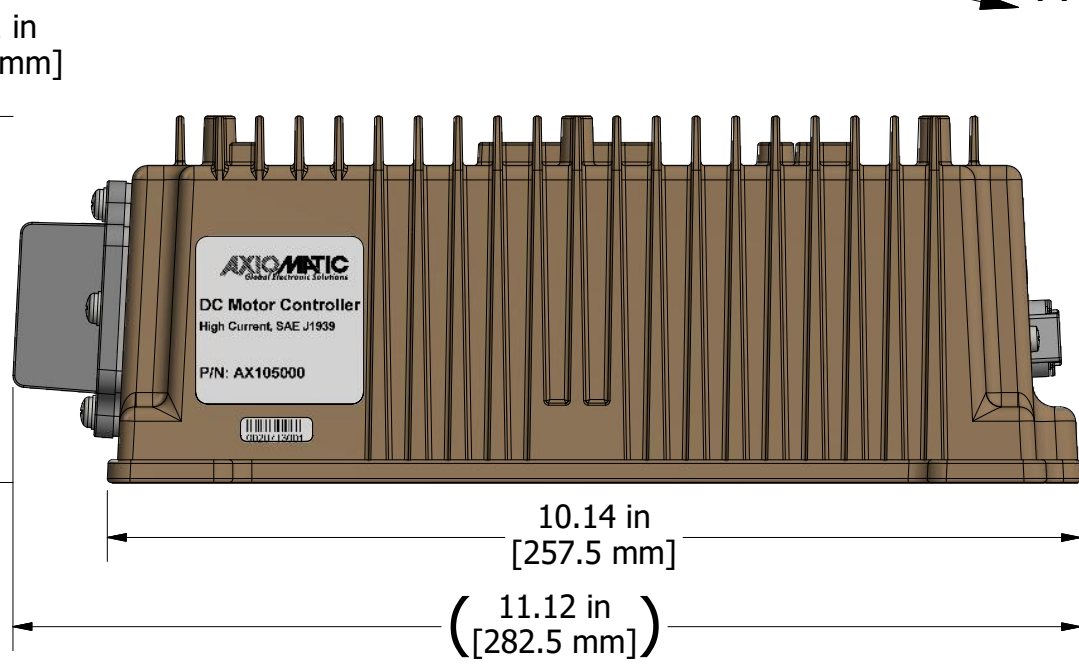
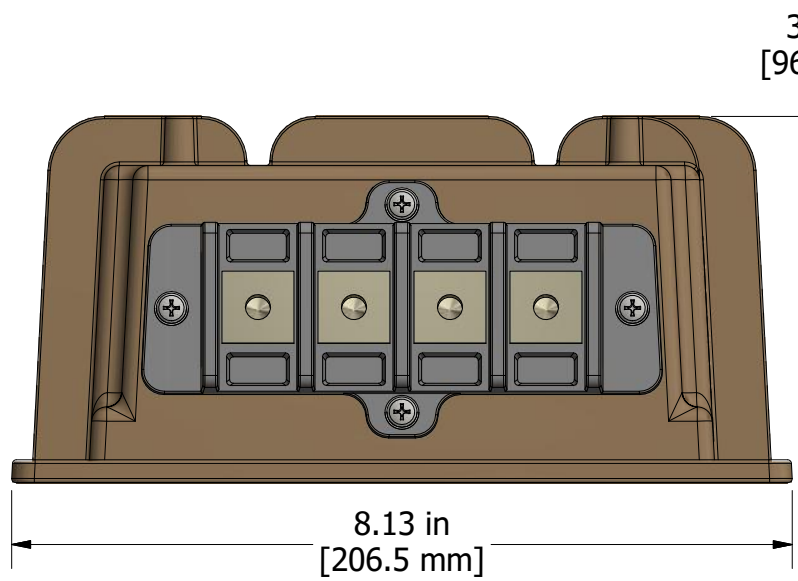


**DETAIL A**  
slot to suit an  
M8 or 5/16" bolt (4)



TE Deutsch DTM13-12PA  
mates with DTM06-12SA

TE Deutsch DTM13-12PB  
mates with DTM06-12SB



|  |  |                               |                    |   |                       |
|--|--|-------------------------------|--------------------|---|-----------------------|
| PROPRIETARY<br>THE INFORMATION CONTAINED IN THIS DRAWING IS CONFIDENTIAL AND PROPRIETARY AND REMAINS THE EXCLUSIVE PROPERTY OF AXIOMATIC TECHNOLOGIES CORPORATION. THIS DRAWING MAY NOT BE USED, REPRODUCED IN WHOLE OR IN PART, NOR REVEALED TO OTHERS WITHOUT THE PRIOR WRITTEN CONSENT OF AXIOMATIC TECHNOLOGIES CORPORATION. BY ACCEPTANCE OF THIS DRAWING, THE BEARER AGREES TO THESE CONDITIONS. |  |                               |                    | AXIOMATIC TECHNOLOGIES CORPORATION<br>5915 WALLACE ST.<br>MISSISSAUGA, ON<br>CANADA L4Z 1Z8<br>905-602-9270 |                       |
| MATERIAL<br>NA   |  | DRAWN<br>tfisher              | DATE<br>2020-05-13 | TITLE<br>150A DC Motor Controller, J1939  |                       |
| FINISH<br>NA   |  | CHECKED<br>GDV                | DATE<br>2019-03-25 | DWG REV<br>P1   | DWG NO<br>AX105000-MD |
| THIRD ANGLE PROJECTION<br>   |  | TOOL<br>INVENTOR<br>SIZE<br>B | APPROVED<br>       | SCALE<br>0.4  | PART NO<br>AX105000   |
| DIMENSIONS ARE IN INCHES<br>UNLESS OTHERWISE SPECIFIED IN DRAWING<br>TOLERANCE ON:   |  |                               |                    | SHEET<br>1 of 1   | PART REV<br>3         |
| FABRICATION<br>X.XXX ± 0.015<br>X.XX ± 0.01<br>X.X ± 0.1<br>ANGLES ± 1.0   | MACHINING<br>X.XXX ± 0.005<br>X.XX ± 0.01<br>X.X ± 0.1<br>ANGLES ± 1.0 |                               |                    |   |                       |