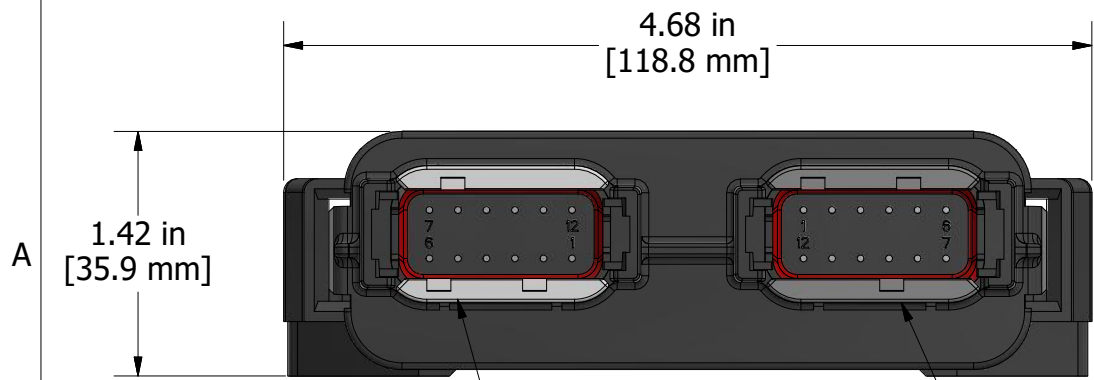
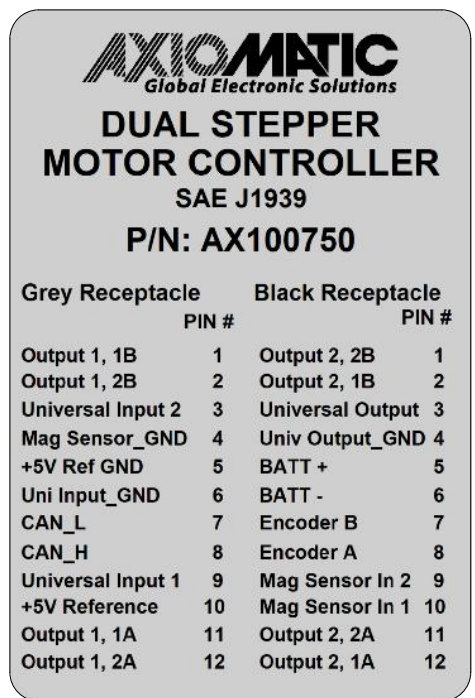
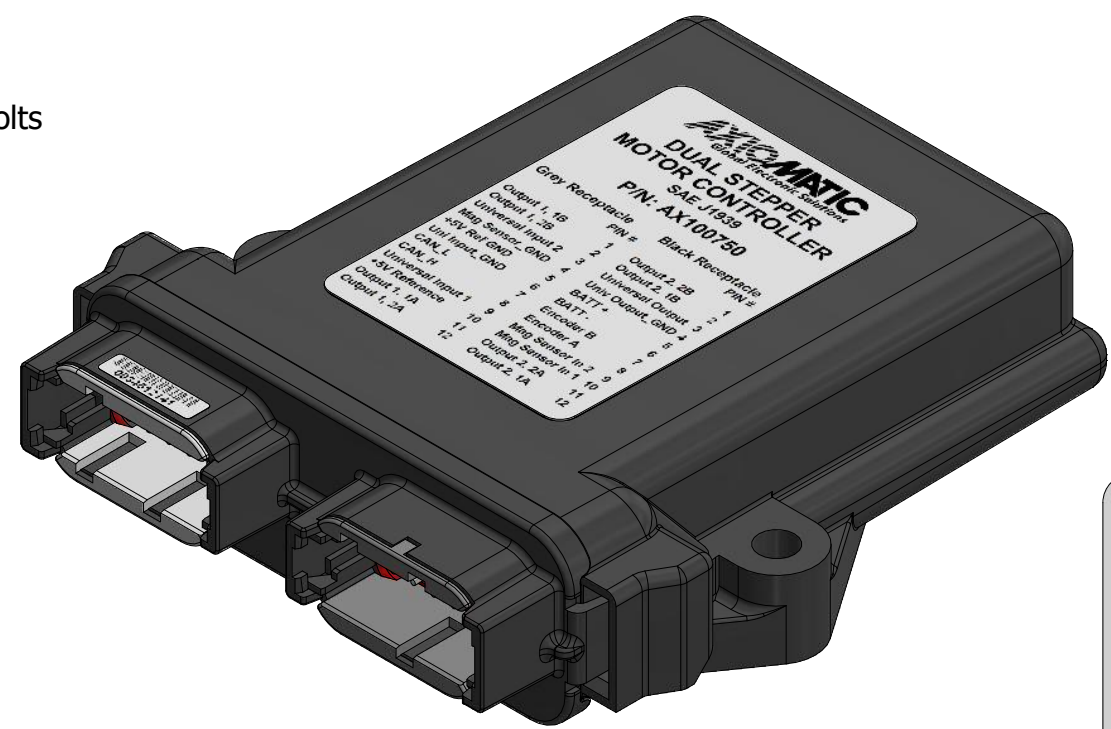
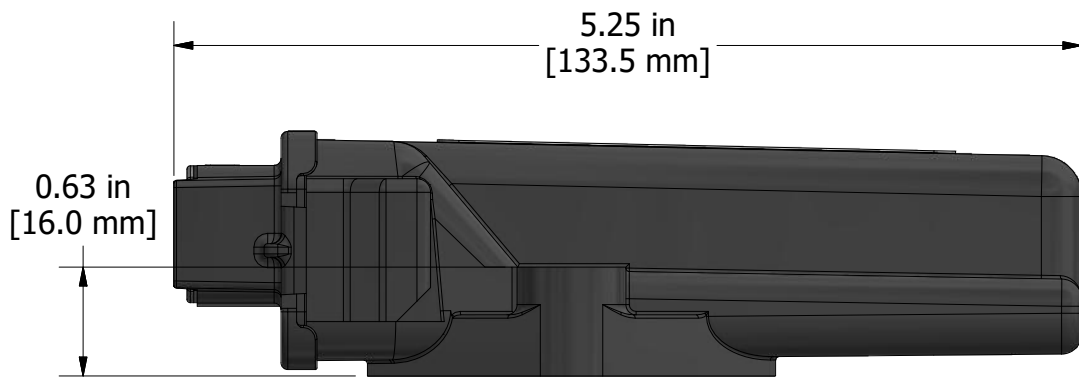


Ø0.291 in [Ø7.4 mm]  
to suit  
M6 or 1/4" bolts  
X2



Gray receptacle keyed "A" mates with DTM06-12SA

Black receptacle keyed "B" mates with DTM06-12SB



REVISION HISTORY			
REV	DESCRIPTION	DATE	APPROVED
R1-D1	PRODUCTION PILOT	2020-09-22	GDV

<small>PROPRIETARY</small> THE INFORMATION CONTAINED IN THIS DRAWING IS CONFIDENTIAL AND PROPRIETARY AND REMAINS THE EXCLUSIVE PROPERTY OF AXIOMATIC TECHNOLOGIES CORPORATION. THIS DRAWING MAY NOT BE USED, REPRODUCED IN WHOLE OR IN PART, NOR REVEALED TO OTHERS WITHOUT THE PRIOR WRITTEN CONSENT OF AXIOMATIC TECHNOLOGIES CORPORATION. BY ACCEPTANCE OF THIS DRAWING, THE BEARER AGREES TO THESE CONDITIONS.									
DIMENSIONS ARE IN INCHES UNLESS OTHERWISE SPECIFIED IN DRAWING TOLERANCE ON:		MATERIAL NA		DRAWN AZ		DATE 2020-09-21		TITLE DAUL STEPPER MOTOR CONTROLLER	
FABRICATION X.XXX ± 0.015 X.XX ± 0.01 X.X ± 0.1 ANGLES ± 1.0		MACHINING X.XXX ± 0.005 X.XX ± 0.01 X.X ± 0.1 ANGLES ± 1.0		FINISH NA		CHECKED TF		DATE 2020-09-22	
		THIRD ANGLE PROJECTION		TOOL INVENTOR SIZE B		APPROVED GDV		DATE 2020-09-22	
				DWG REV D1		DWG NO AX100750-MD		PART REV R1	
				SCALE 0.9		PART NO AX100750		SHEET 1 of 1	

4

3

2

1