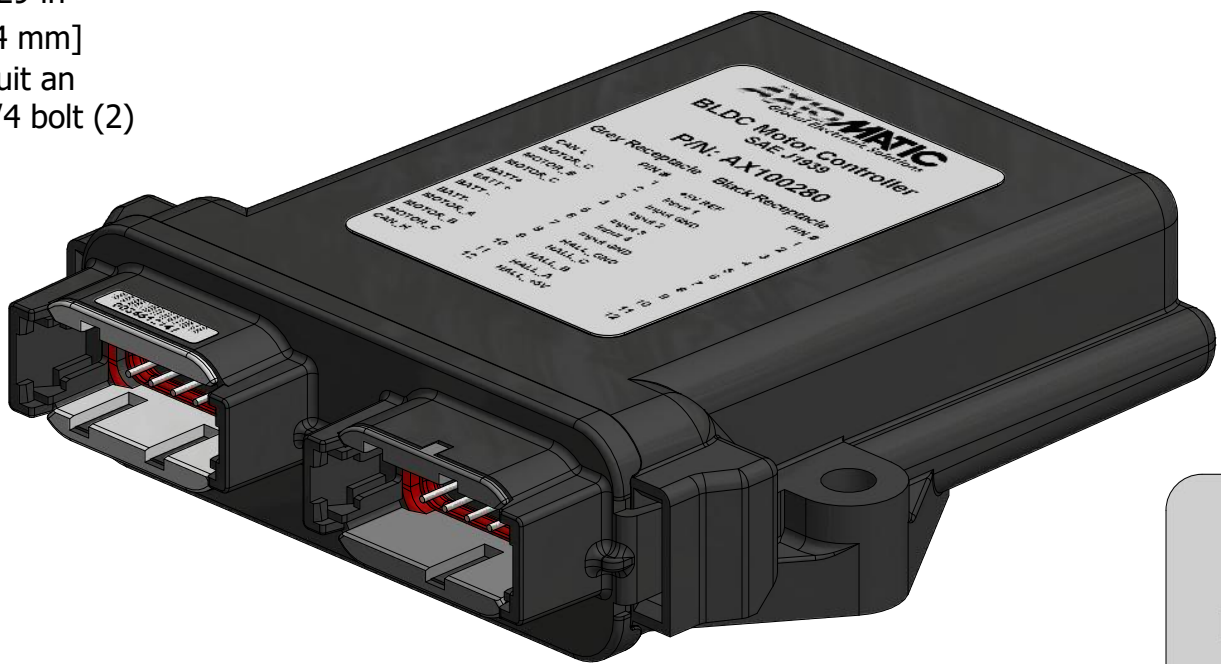


AXIOMATIC
Global Electronic Solutions

BLDC Motor Controller
SAE J1939

P/N: AX100280

Grey Receptacle		Black Receptacle	
	PIN #		PIN #
CAN L	1	+5V REF	1
MOTOR_C	2	Input 1	2
MOTOR_B	3	Input GND	3
MOTOR_C	4	Input 2	4
BATT+	5	Input 3	5
BATT +	6	Input 4	6
BATT -	7	Input GND	7
BATT-	8	HALL_GND	8
MOTOR_A	9	HALL_C	9
MOTOR_B	10	HALL_B	10
MOTOR_C	11	HALL_A	11
CAN_H	12	HALL_+5V	12

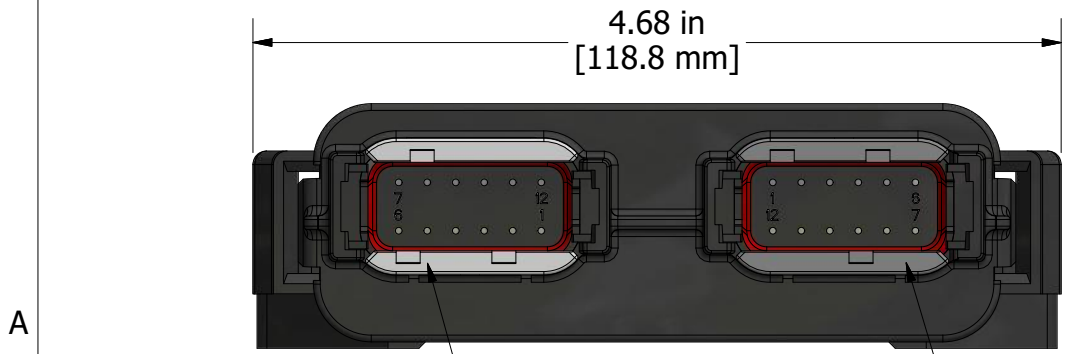


AXIOMATIC
Global Electronic Solutions

BLDC Motor Controller
SAE J1939

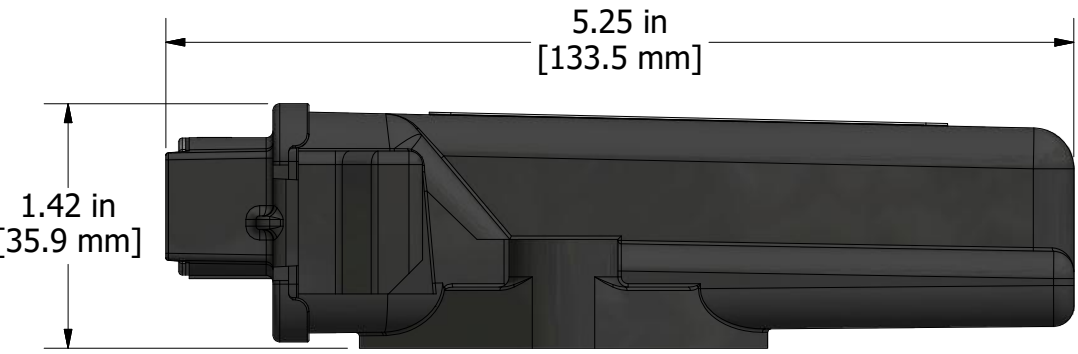
P/N: AX100280

Grey Receptacle		Black Receptacle	
	PIN #		PIN #
CAN L	1	+5V REF	1
MOTOR_C	2	Input 1	2
MOTOR_B	3	Input GND	3
MOTOR_C	4	Input 2	4
BATT+	5	Input 3	5
BATT +	6	Input 4	6
BATT -	7	Input GND	7
BATT-	8	HALL_GND	8
MOTOR_A	9	HALL_C	9
MOTOR_B	10	HALL_B	10
MOTOR_C	11	HALL_A	11
CAN_H	12	HALL_+5V	12



gray receptacle keyed "A"
mates with DTM06-12SA

black receptacle keyed "B"
mates with DTM06-12SB



DIMENSIONS ARE IN INCHES UNLESS OTHERWISE SPECIFIED IN DRAWING TOLERANCE ON:		MATERIAL NA		DRAWN TJF	DATE 2019-10-29	TITLE 48V BLDC, 100W, J1939			
FABRICATION X.XXX ± 0.015 X.XX ± 0.01 X.X ± 0.1 ANGLES ± 1.0	MACHINING X.XXX ± 0.005 X.XX ± 0.01 X.X ± 0.1 ANGLES ± 1.0	FINISH NA	THIRD ANGLE PROJECTION	TOOLS INVENTOR SIZE B	CHECKED GDV	DATE	DWG REV D1	DWG NO AX100280-MD	PART REV 1
		APPROVED		DATE	SCALE .9	PART NO AX100280	SHEET 1 of 1		

PROPRIETARY
 THE INFORMATION CONTAINED IN THIS DRAWING IS CONFIDENTIAL AND PROPRIETARY AND REMAINS THE EXCLUSIVE PROPERTY OF AXIOMATIC TECHNOLOGIES CORPORATION. THIS DRAWING MAY NOT BE USED, REPRODUCED IN WHOLE OR IN PART, NOR REVEALED TO OTHERS WITHOUT THE PRIOR WRITTEN CONSENT OF AXIOMATIC TECHNOLOGIES CORPORATION. BY ACCEPTANCE OF THIS DRAWING, THE BEARER AGREES TO THESE CONDITIONS.

AXIOMATIC
Global Electronic Solutions

AXIOMATIC TECHNOLOGIES CORPORATION
 5915 WALLACE ST.
 MISSISSAUGA, ON
 CANADA L4Z 1Z8
 905-602-9270