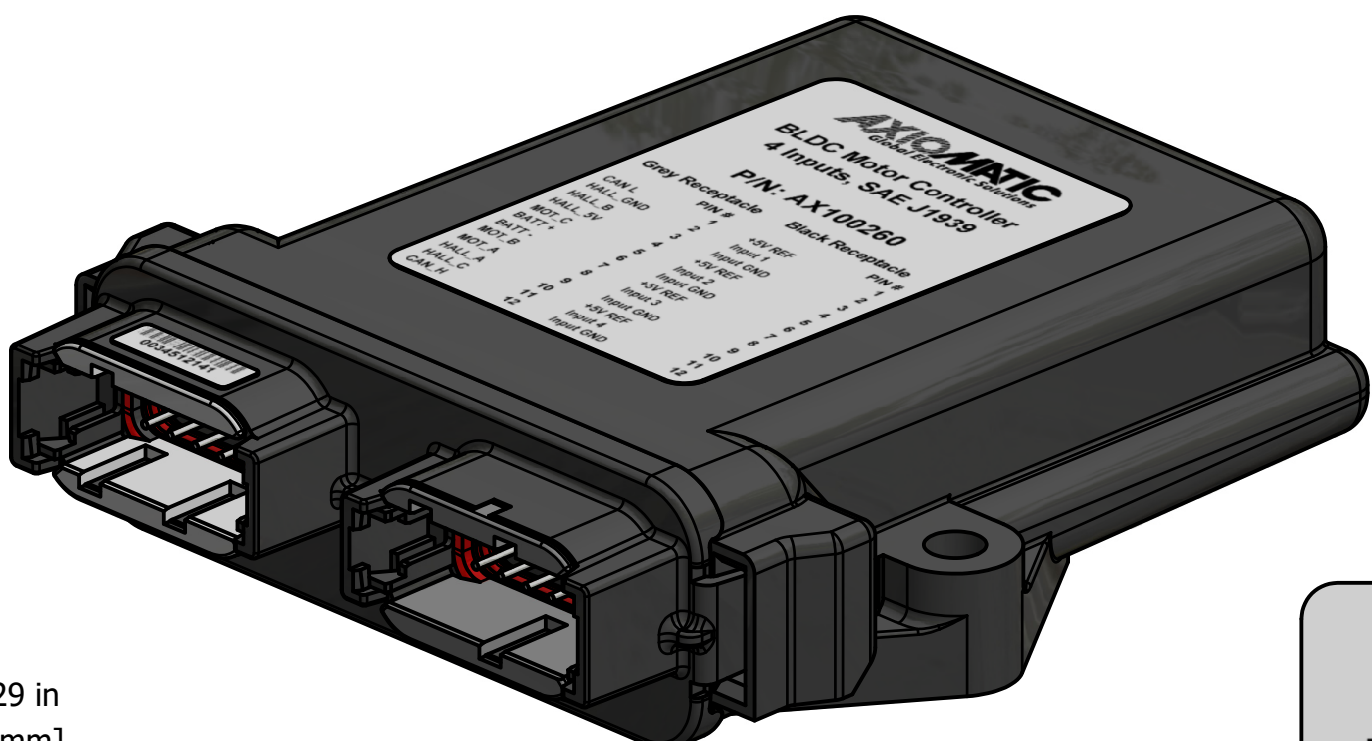


**AXIOMATIC**  
Global Electronic Solutions

**BLDC Motor Controller**  
4 Inputs, SAE J1939

**P/N: AX100260**

Grey Receptacle		Black Receptacle	
CAN L	PIN #	+5V REF	PIN #
HALL_GND	2	Input 1	2
HALL_B	3	Input GND	3
HALL_5V	4	+5V REF	4
MOT_C	5	Input 2	5
BATT+	6	Input GND	6
BATT-	7	+5V REF	7
MOT_B	8	Input 3	8
MOT_A	9	Input GND	9
HALL_A	10	+5V REF	10
HALL_C	11	Input 4	11
CAN_H	12	Input GND	12

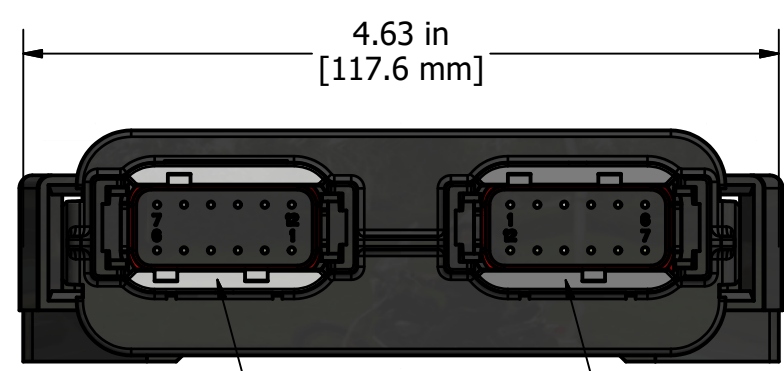


**AXIOMATIC**  
Global Electronic Solutions

**BLDC Motor Controller**  
4 Inputs, SAE J1939

**P/N: AX100260**

Grey Receptacle		Black Receptacle	
CAN L	PIN #	+5V REF	PIN #
HALL_GND	2	Input 1	2
HALL_B	3	Input GND	3
HALL_5V	4	+5V REF	4
MOT_C	5	Input 2	5
BATT+	6	Input GND	6
BATT-	7	+5V REF	7
MOT_B	8	Input 3	8
MOT_A	9	Input GND	9
HALL_A	10	+5V REF	10
HALL_C	11	Input 4	11
CAN_H	12	Input GND	12



black receptacle  
DTM04-12PB  
mates with DTM06-12SB

grey receptacle  
DTM04-12PA  
mates with DTM06-12SA

<p><b>TOLERANCES</b></p> <table border="1"> <thead> <tr> <th colspan="2">fabrication</th> <th colspan="2">machining</th> </tr> </thead> <tbody> <tr> <td>X.XXX</td><td>+/- 0.015</td> <td>X.XXX</td><td>+/- 0.005</td> </tr> <tr> <td>X.XX</td><td>+/- 0.031</td> <td>X.XX</td><td>+/- 0.010</td> </tr> <tr> <td>X.X</td><td>+/- 0.031</td> <td>X.X</td><td>+/- 0.015</td> </tr> <tr> <td>fractional</td><td>+/- 0.031</td> <td>fractional</td><td>+/- 0.031</td> </tr> </tbody> </table>		fabrication		machining		X.XXX	+/- 0.015	X.XXX	+/- 0.005	X.XX	+/- 0.031	X.XX	+/- 0.010	X.X	+/- 0.031	X.X	+/- 0.015	fractional	+/- 0.031	fractional	+/- 0.031	<p><b>MATERIAL</b></p> <p>PA66 glass fill housing with a silicone gasket</p>		<p><b>DRAWN</b></p> <p>TF</p>		<p><b>DATE</b></p> <p>2017-05-05</p>		<p><b>TITLE</b></p> <p>BLDC Motor Controller, 4 Inputs, J1939</p>	
fabrication		machining																											
X.XXX	+/- 0.015	X.XXX	+/- 0.005																										
X.XX	+/- 0.031	X.XX	+/- 0.010																										
X.X	+/- 0.031	X.X	+/- 0.015																										
fractional	+/- 0.031	fractional	+/- 0.031																										
<p><b>CHECKED</b></p>		<p><b>DATE</b></p>		<p><b>DWG REV</b></p> <p>D1</p>		<p><b>DWG NO</b></p> <p>AX100260-MD</p>		<p><b>PART REV</b></p> <p>A</p>																					
<p><b>APPROVED</b></p>		<p><b>DATE</b></p>		<p><b>SCALE</b></p> <p>full</p>		<p><b>PART NO</b></p> <p>AX100260</p>		<p><b>SHEET</b></p> <p>1 of 1</p>																					

**unit label detail**



AXIOMATIC TECHNOLOGIES CORPORATION  
5915 WALLACE ST.  
MISSISSAUGA, ON  
CANADA L4Z1Z8  
905-602-9270