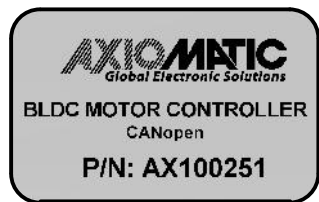
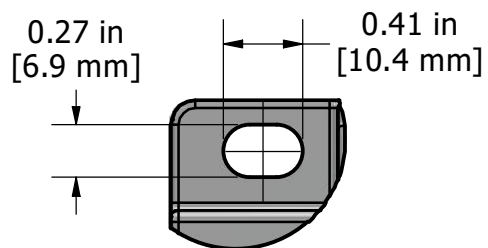


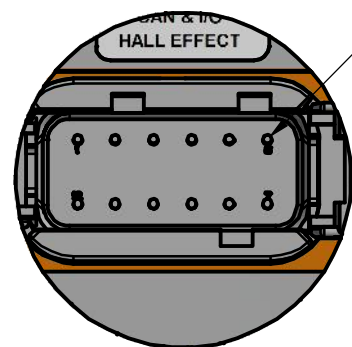
REVISION HISTORY			
REV	DESCRIPTION	DATE	APPROVED
P2-D1	PRODUCTION PILOT	2024-01-12	GDV



Unit Label



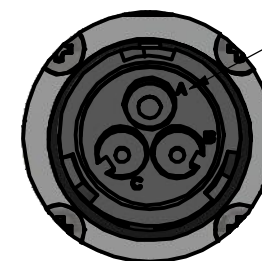
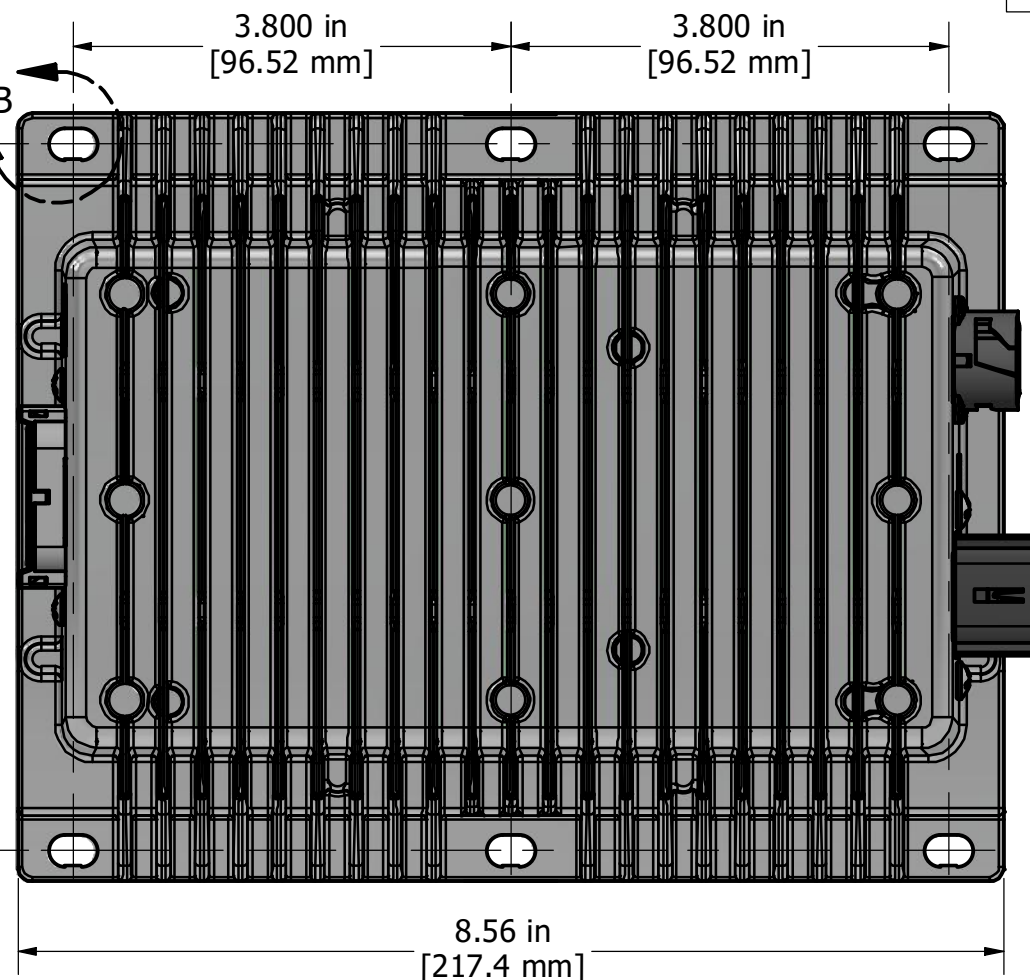
DETAIL B
Mounting Slots
To Suit M6 or 1/4" Bolts



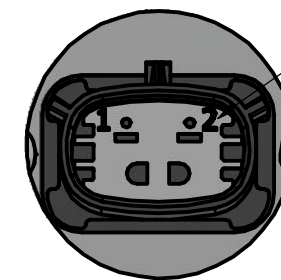
DETAIL A
Deutsch DTM13-12PA
12-Pin Connector
Mates with
DeutschDTM06-12SA

- Pin 1: IN2
- Pin 2: SOUT
- Pin 3: HALL A
- Pin 4: HALL C
- Pin 5: POUT
- Pin 6: CAN L
- Pin 7: CAN H
- Pin 8: HALL GND
- Pin 9: HALL B
- Pin 10: HALL 5V
- Pin 11: DN1
- Pin 12: IN1

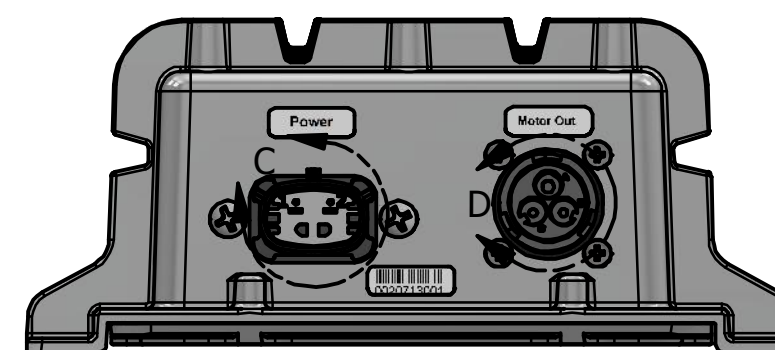
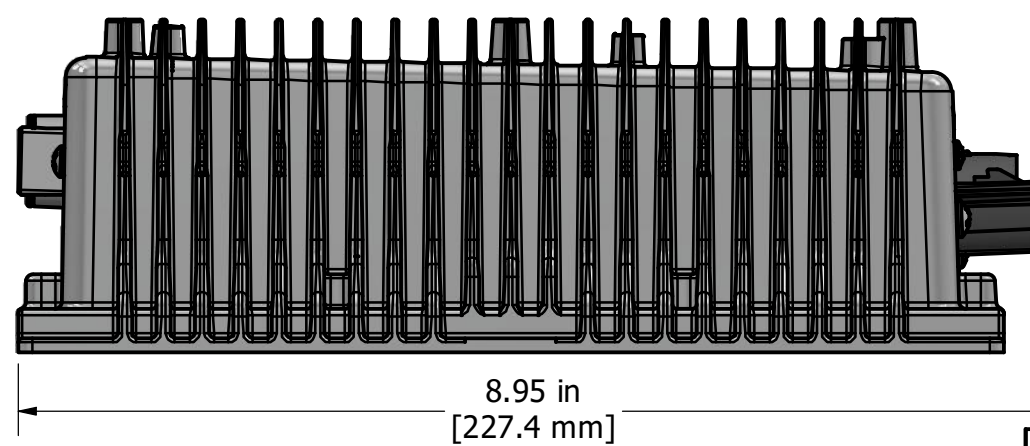
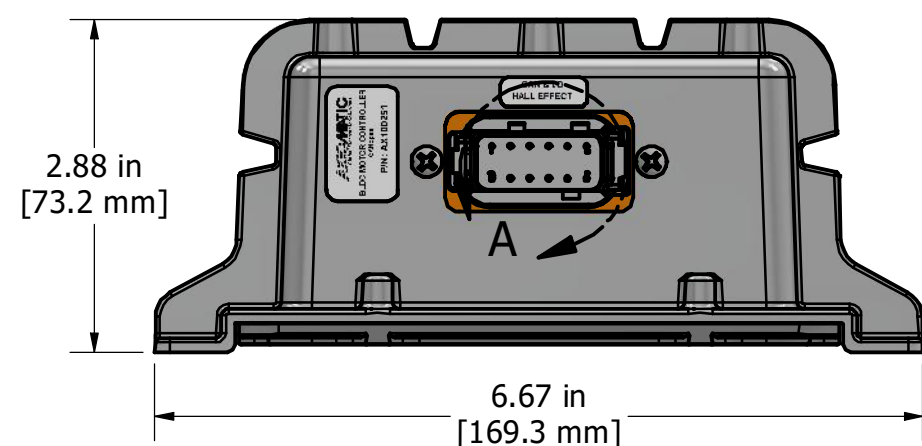
6.134 in
[155.81 mm]



DETAIL D
Deutsch HD10-3-96P 3-Pin Connector
Mates with Deutsch HD16-3-96S



DETAIL C
Molex 19436-0213 2-Pin Connector
Mates with Molex 194320013



DIMENSIONS ARE IN INCHES
UNLESS OTHERWISE SPECIFIED IN
DRAWING TOLERANCE ON:

X.XXX	± 0.008
X.XX	± 0.01
X.	± 1
ANGLES ± 1.0	
Others follow ISO 2768-2, tolerance class K	

MATERIAL	NA	DRAWN	AZ	DATE	2022-03-04
FINISH	NA	CHECKED	TF	DATE	2024-01-12
THIRD ANGLE PROJECTION	TOOL	APPROVED	GDV	DATE	2024-01-12
INVENTOR	SIZE				

		<small>AXIOMATIC TECHNOLOGIES CORPORATION 1445 COURT NEYPARK DR E MISSISSAUGA, ON CANADA L5T 2E3 905-602-9270</small>	
TITLE BLDC MOTOR CONTROLLER, CANopen			
DWG REV	D1	DWG NO	AX100251-MD
PART REV	P2	PART NO	FG-AX100251
SCALE	0.6	SHEET	1 of 1