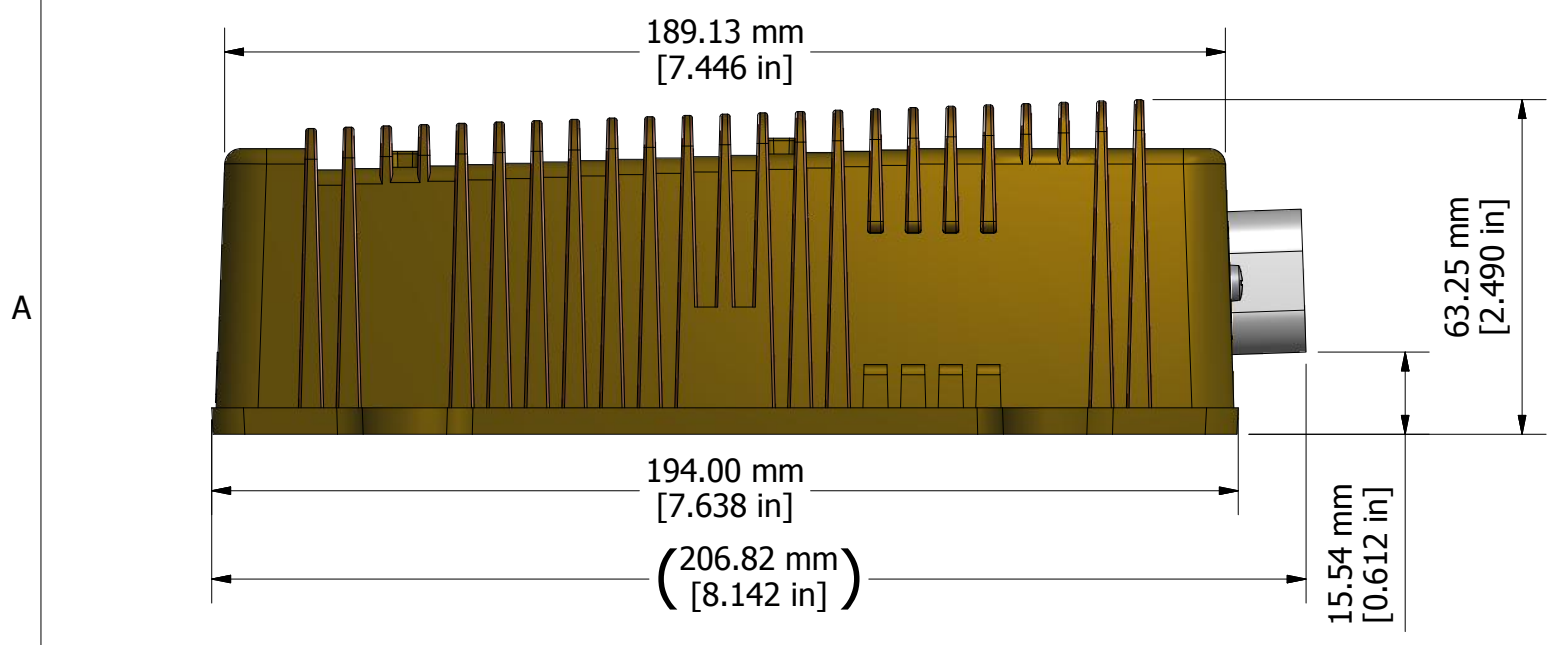
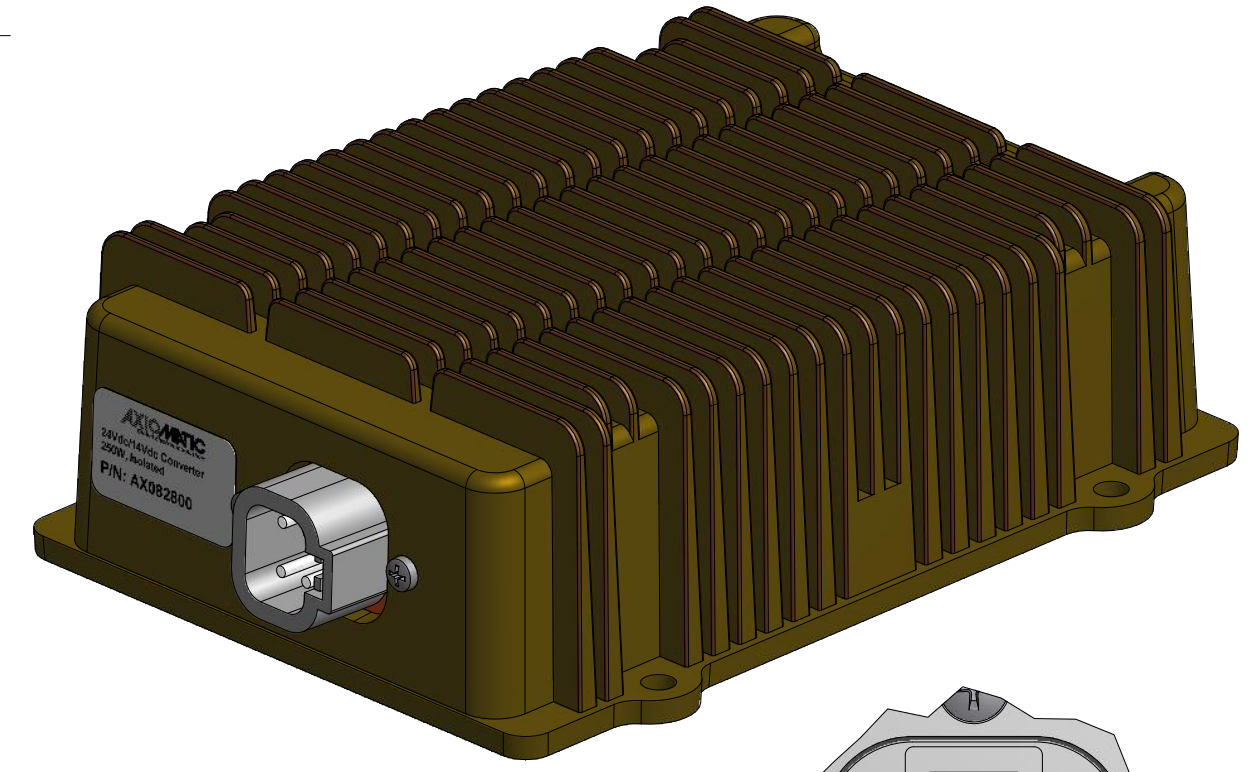
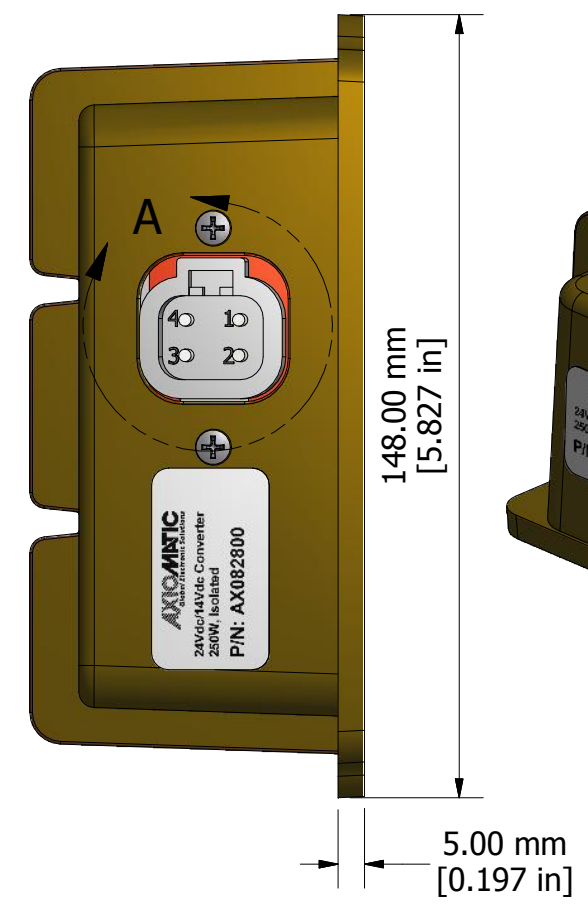
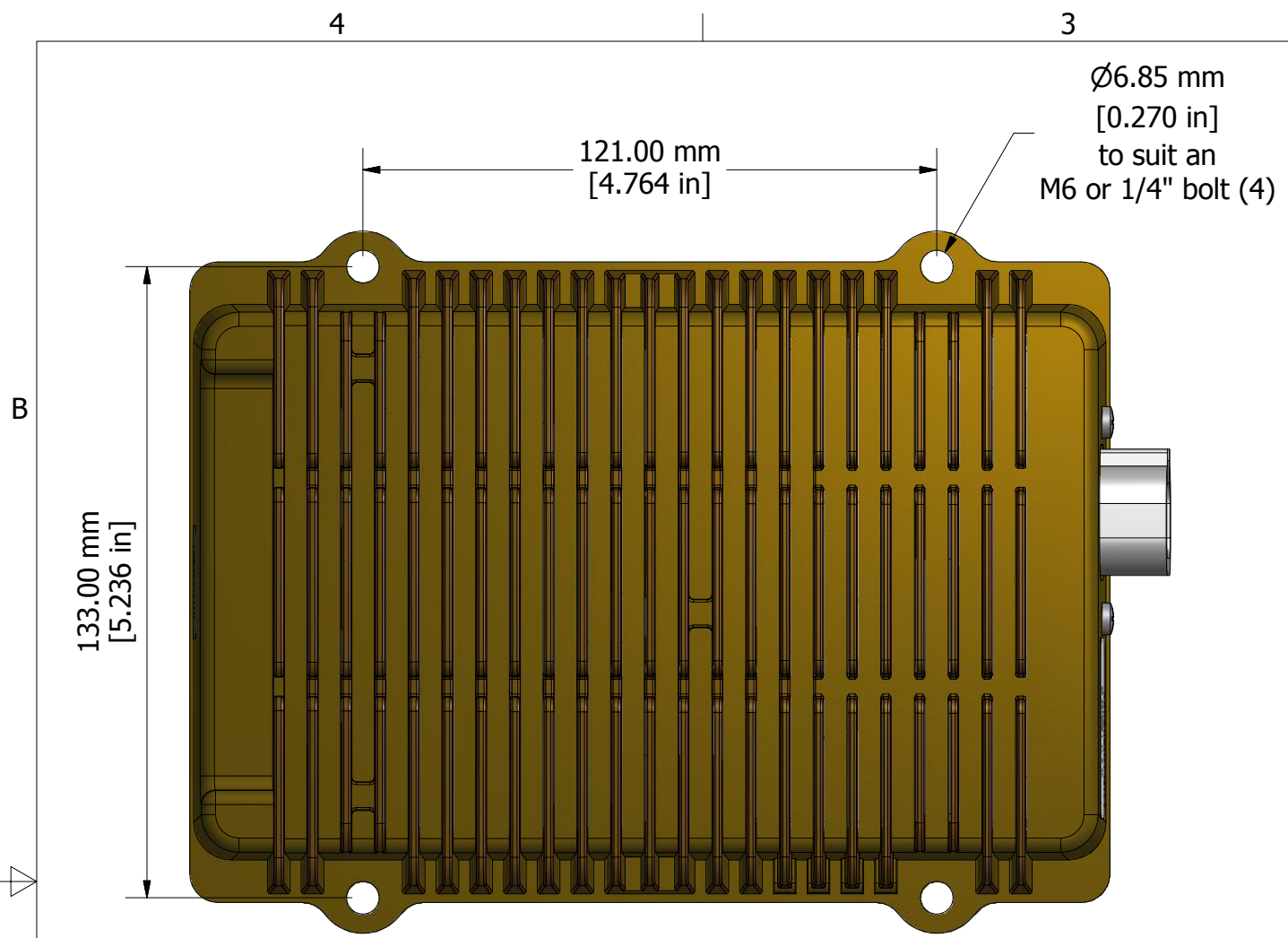
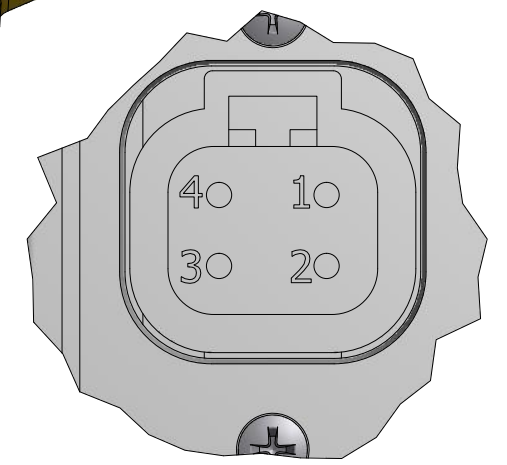


REVISION			
REV	DESCRIPTION	DATE	APPROV
R1-D1	initial release	January 19-2017	HS



unit label



DETAIL A
DTP13-4P
mates with DTP06-4S
all variations

TOLERANCES		MATERIAL	DRAWN	DATE	TITLE		
fabrication	machining	die cast aluminum chassis	TF	1/19/2017	24VDC-14VDC 250W Isolated DC Converter		
X.XXX +/- 0.015	X.XXX +/- 0.005	hard anodized	CHECKED	DATE	DWG REV	DWG NO	PART REV
X.XX +/- 0.031	X.XX +/- 0.010		APPROVED	DATE	D1	AX082800-MD	1
X.X +/- 0.031	X.X +/- 0.015				SCALE	PART NO	SHEET
fractional +/- 0.031	fractional +/- 0.031				full	AX082800	1 of 1



4

3

2

1