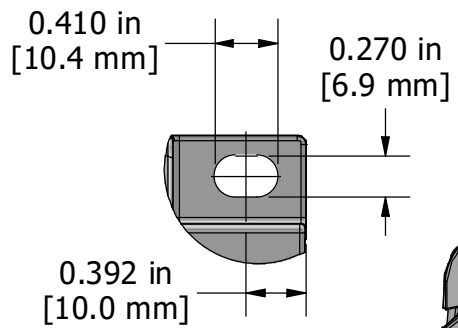
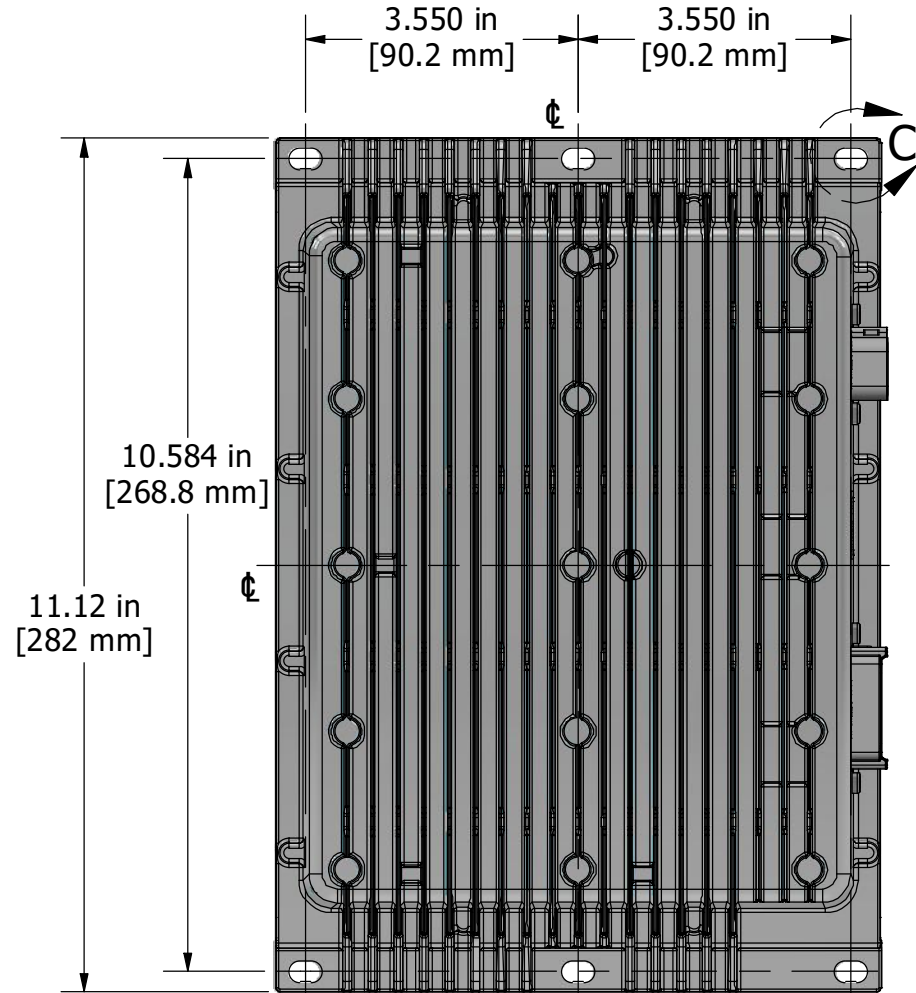
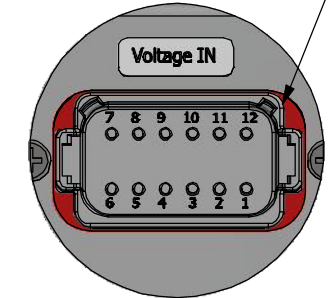
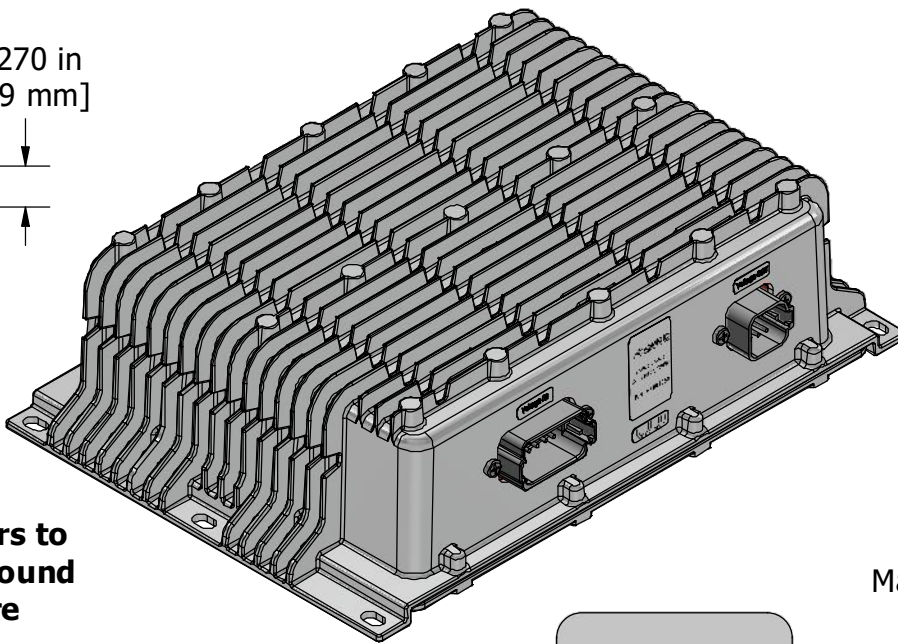


REVISION HISTORY			
REV	DESCRIPTION	DATE	APPROVED
A-D4	RELEASE TO A (RFA24-0081)	2024-10-23	GDV



DETAIL C
Mounting Slots
To Suit
M6 Or 1/4" Bolt
Use ground washers to establish a good ground for the enclosure

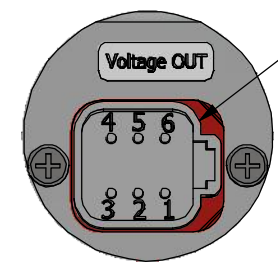


DETAIL A
Deutsch DT13-12PA
12-Pin Connector
Mates With DT06-12SA Plug

- Pin 1: Voltage Input -
- Pin 2: Voltage Input -
- Pin 3: Voltage Input -
- Pin 4: Voltage Input +
- Pin 5: Voltage Input +
- Pin 6: Voltage Input +
- Pin 7: Voltage Input +
- Pin 8: Voltage Input +
- Pin 9: Voltage Input +
- Pin 10: Voltage Input -
- Pin 11: Voltage Input -
- Pin 12: Voltage Input -

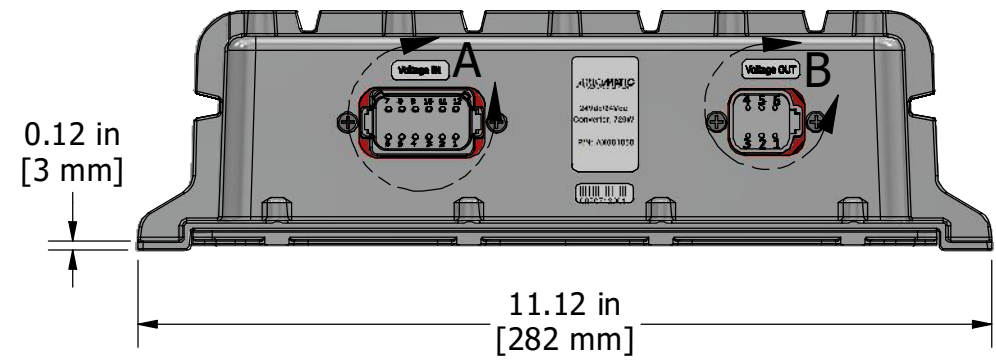
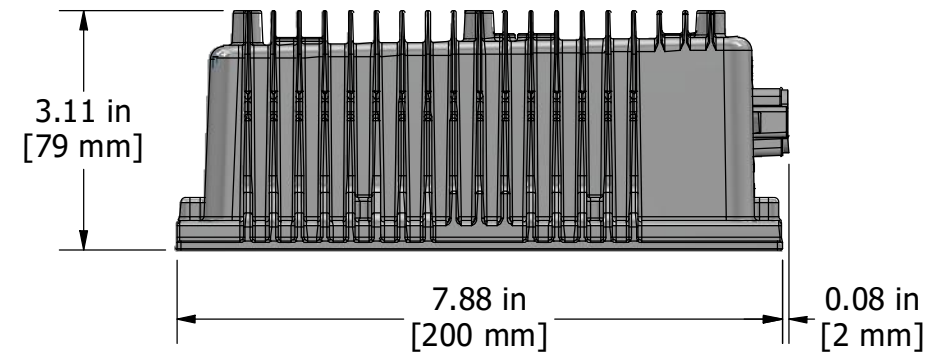


Unit Label



DETAIL B
Deutsch DTP13-6P
6-Pin Connector
Mates With DTP06-6S Plug

- Pin 1: Voltage Output +
- Pin 2: Voltage Output +
- Pin 3: Voltage Output +
- Pin 4: Voltage Output -
- Pin 5: Voltage Output -
- Pin 6: Voltage Output -



<small>PROPRIETARY</small> THE INFORMATION CONTAINED IN THIS DRAWING IS CONFIDENTIAL AND PROPRIETARY AND REMAINS THE EXCLUSIVE PROPERTY OF AXIOMATIC TECHNOLOGIES CORPORATION. THIS DRAWING MAY NOT BE USED, REPRODUCED IN WHOLE OR IN PART, NOR REVEALED TO OTHERS WITHOUT THE PRIOR WRITTEN CONSENT OF AXIOMATIC TECHNOLOGIES CORPORATION. BY ACCEPTANCE OF THIS DRAWING, THE BEARER AGREES TO THESE CONDITIONS.						<small>AXIOMATIC TECHNOLOGIES CORPORATION</small> 1445 COURTEYPARK DR E MISSISSAUGA, ON CANADA L5T 2E3 905-602-9270	
<small>DIMENSIONS ARE IN INCHES [mm]</small> UNLESS OTHERWISE SPECIFIED IN DRAWING TOLERANCE ON: X.XXX [.XX] ± 0.008 [0.20] X.XX [X.X] ± 0.02 [0.51] (X.XX [X.X]) ± 0.04 [1.00] ANGLES ± 1.0° Others follow ISO 2768-2, tolerance class K		MATERIAL NA FINISH NA THIRD ANGLE PROJECTION 	DRAWN AZ CHECKED TF APPROVED GDV INVENTOR SIZE B	DATE 2022-05-18 DATE 2022-05-18 DATE 2022-05-18	TITLE 24VDC/24VDC CONVERTER, 720W DWG REV D4 SCALE 0.4	DWG NO AX081850-MD PART NO AX081850	PART REV A SHEET 1 of 1