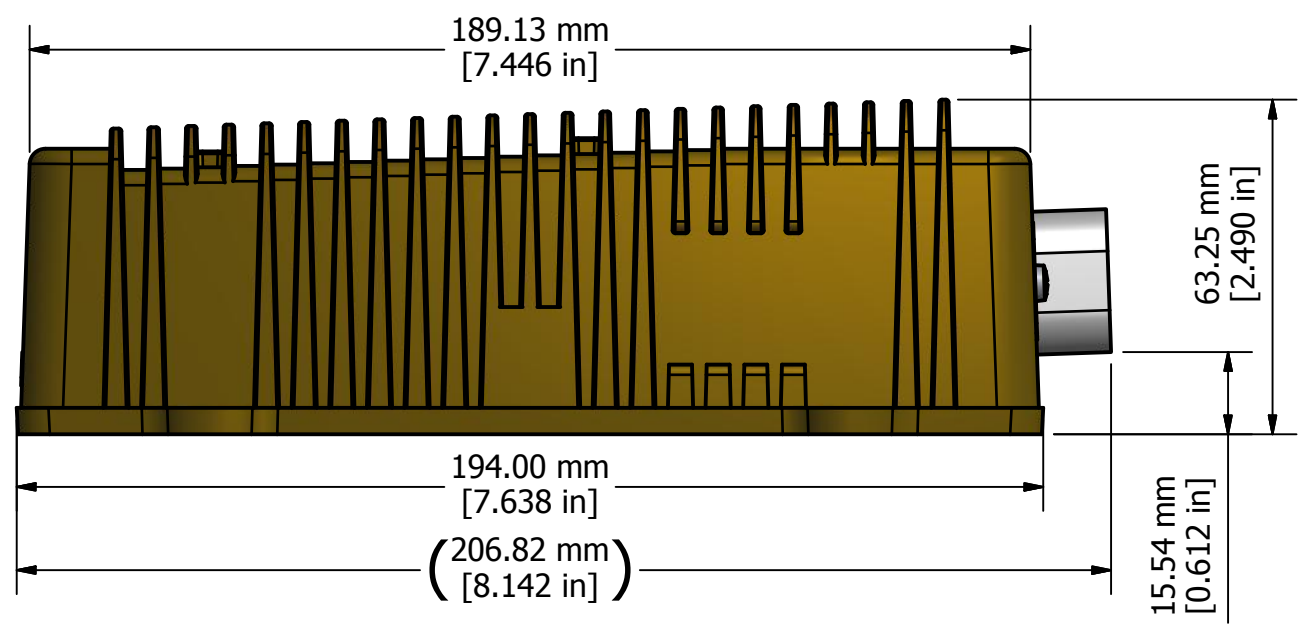
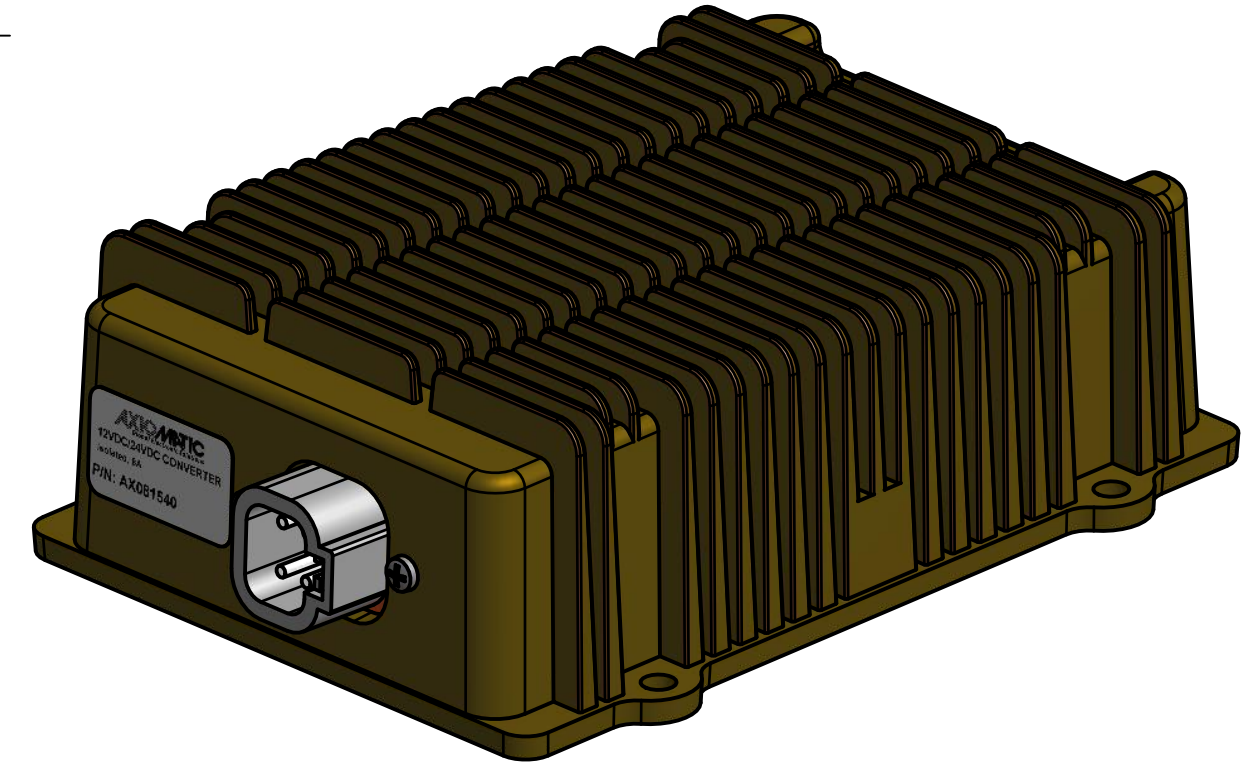
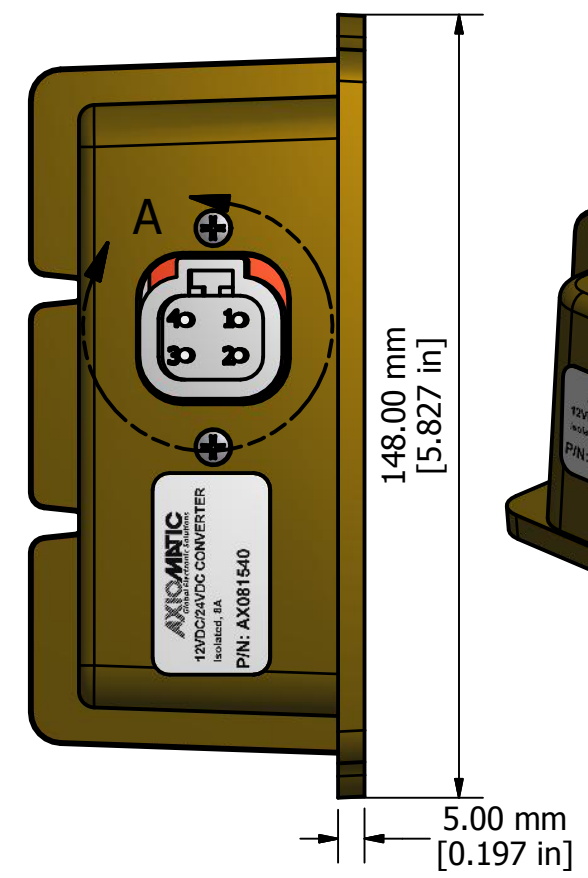
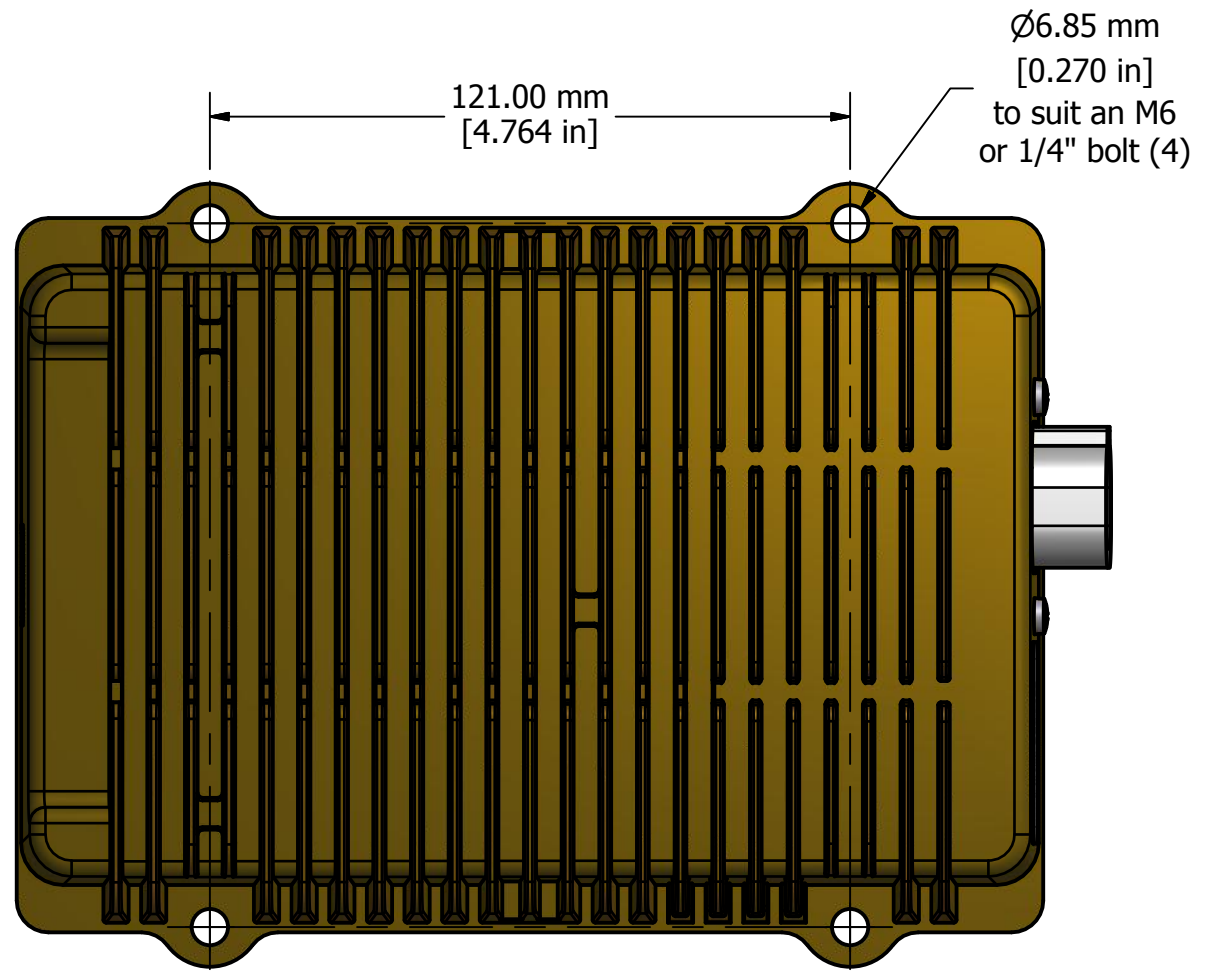
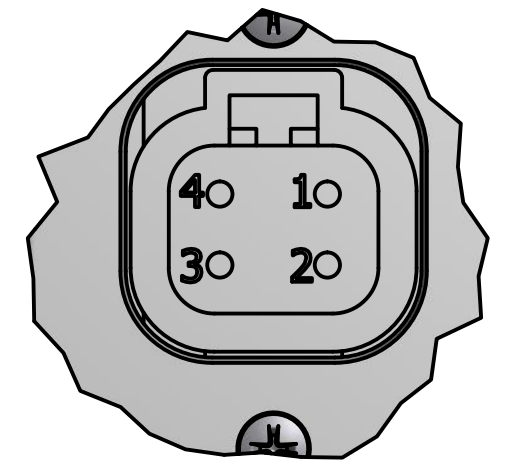


REVISION			
REV	DESCRIPTION	DATE	APPROV
R1-D1	initial release	April 25-2018	TM



unit label



TOLERANCES	
fabrication	machining
X.XXX +/- 0.015	X.XXX +/- 0.005
X.XX +/- 0.031	X.XX +/- 0.010
X.X +/- 0.031	X.X +/- 0.015
fractional +/- 0.031	fractional +/- 0.031

MATERIAL		DRAWN	DATE	TITLE		
die cast aluminum chassis		TF	4/25/2018	12-24VDC DC converter, 8A, isolated		
FINISH		CHECKED	DATE	DWG REV	DWG NO	PART REV
hard anodized		APPROVED	DATE	D1	AX081540-MD	1
				SCALE	PART NO	SHEET
				full	AX081540	1 of 1

AXIOMATIC
Global Electronic Solutions
AXIOMATIC TECHNOLOGIES CORPORATION
5915 WALLACE ST.
MISSISSAUGA, ON
CANADA L4Z 1Z8
905-602-9270