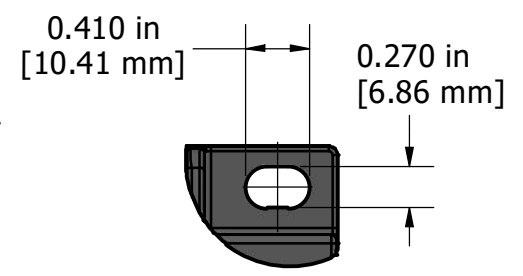
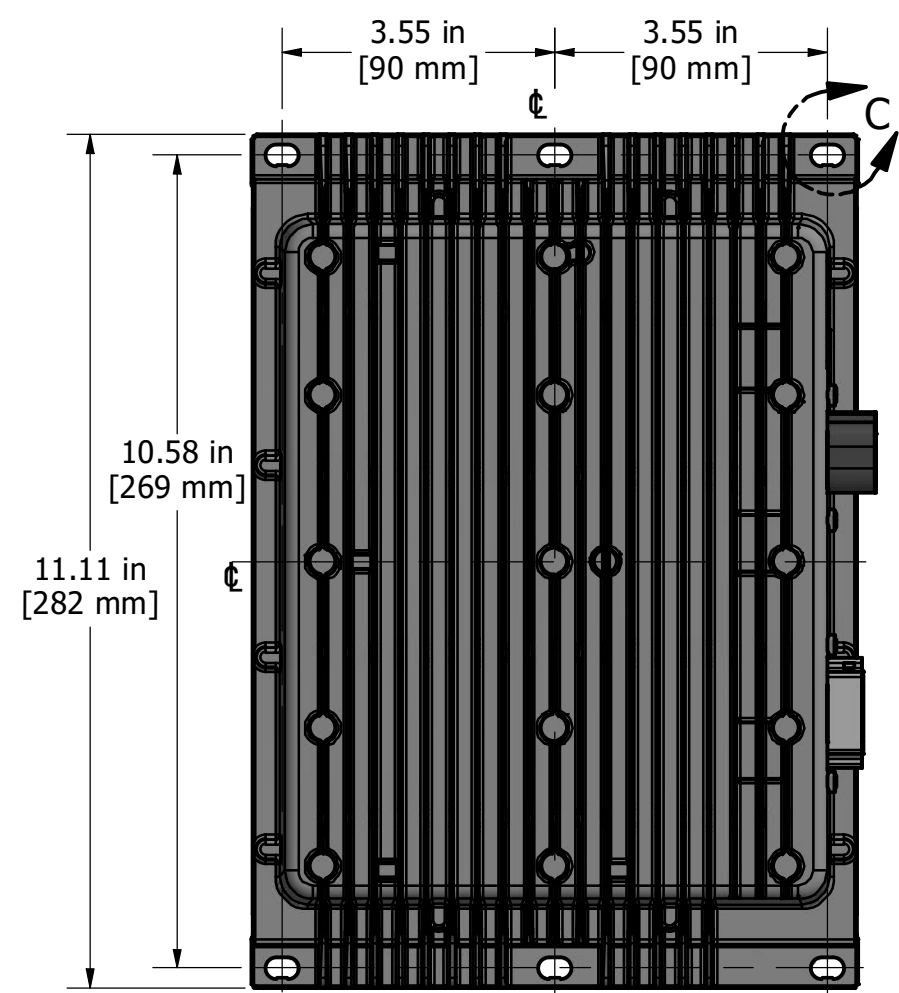
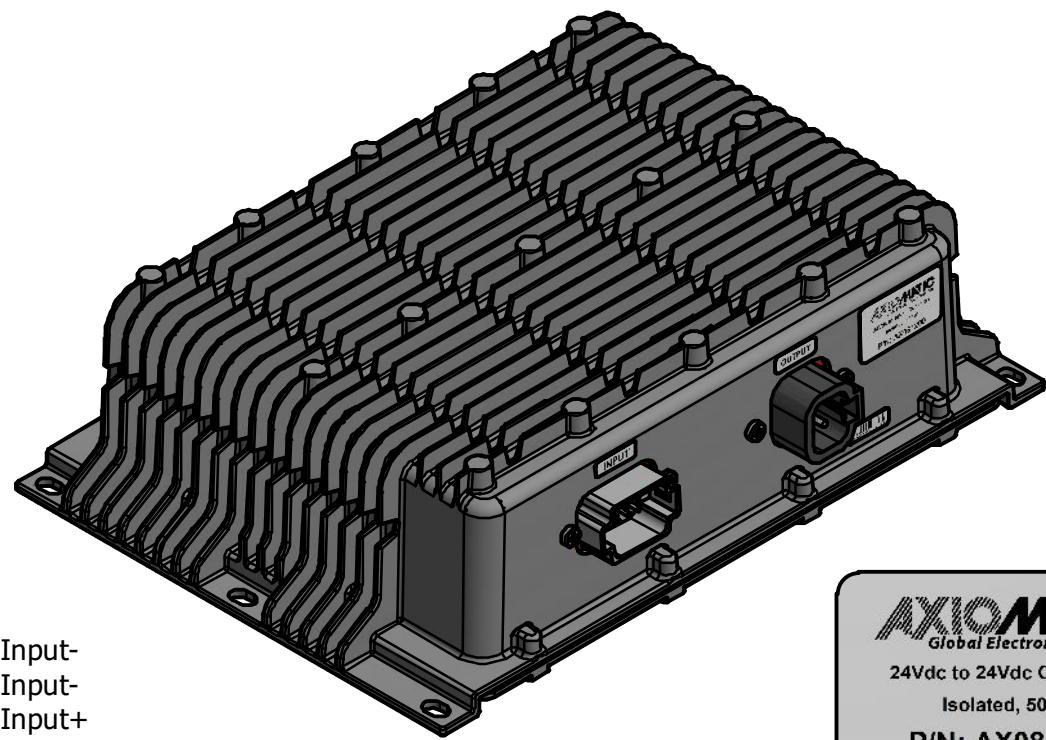


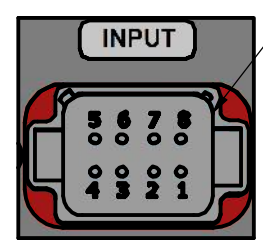
REVISION HISTORY			
REV	DESCRIPTION	DATE	APPROVED
P1-D1	PRODUCTION PILOT	2024-01-31	GDV



DETAIL C
Mounting Slots
To Suit
M6 Or 1/4" Bolt
Use ground washers to establish a good ground for the enclosure

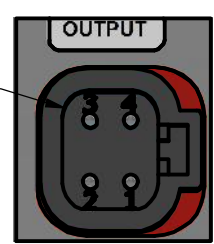


Unit Label



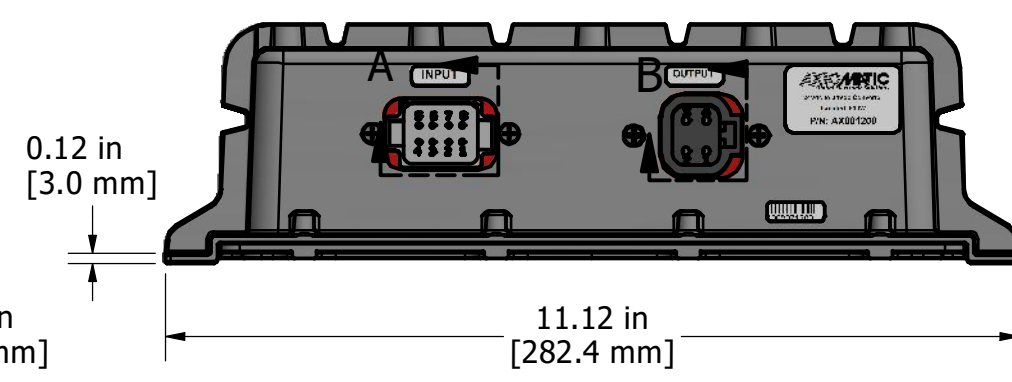
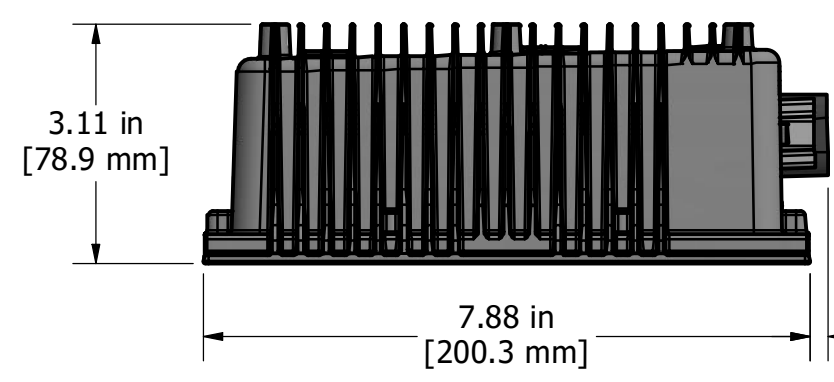
DETAIL A
Deutsch DT13-8PA
8-Pin Connector
Mates With DT06-8SA Plug

- Pin 1: Voltage Input-
- Pin 2: Voltage Input-
- Pin 3: Voltage Input+
- Pin 4: Voltage Input+
- Pin 5: Voltage Input+
- Pin 6: Voltage Input+
- Pin 7: Voltage Input-
- Pin 8: Voltage Input-



- Pin 1: Voltage Output+
- Pin 2: Voltage Output-
- Pin 3: Voltage Output-
- Pin 4: Voltage Output+

DETAIL B
Deutsch DTP13-4P
4-Pin Connector
Mates With DTP06-4S Plug



<small>PROPRIETARY</small> THE INFORMATION CONTAINED IN THIS DRAWING IS CONFIDENTIAL AND PROPRIETARY AND REMAINS THE EXCLUSIVE PROPERTY OF AXIOMATIC TECHNOLOGIES CORPORATION. THIS DRAWING MAY NOT BE USED, REPRODUCED IN WHOLE OR IN PART, NOR REVEALED TO OTHERS WITHOUT THE PRIOR WRITTEN CONSENT OF AXIOMATIC TECHNOLOGIES CORPORATION. BY ACCEPTANCE OF THIS DRAWING, THE BEARER AGREES TO THESE CONDITIONS.				<small>AXIOMATIC TECHNOLOGIES CORPORATION 1445 COURTNEY PARK DR MISSISSAUGA, ON CANADA L5T 2E3 905-602-9270</small>			
<small>DIMENSIONS ARE IN INCHES [mm]</small> UNLESS OTHERWISE SPECIFIED IN DRAWING TOLERANCE ON:		MATERIAL NA FINISH NA THIRD ANGLE PROJECTION		DRAWN AZ DATE 2024-01-31		TITLE CONVERTER 24VDC/24VDC 500W	
X.XXX [.XX] ± 0.008 [0.20] X.XX [X.X] ± 0.02 [0.51] (X.XX [X.X]) ± 0.04 [1.00] ANGLES ± 1.0° Others follow ISO 2768-2, tolerance class K		TOOL INVENTOR SIZE B		CHECKED DATE APPROVED GDV DATE 2024-01-31		DWG REV D1 DWG NO AX081200-MD PART NO AX081200 SHEET 1 of 1	