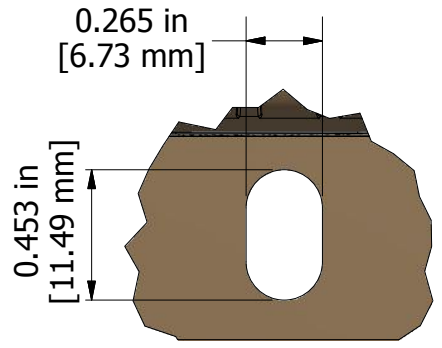
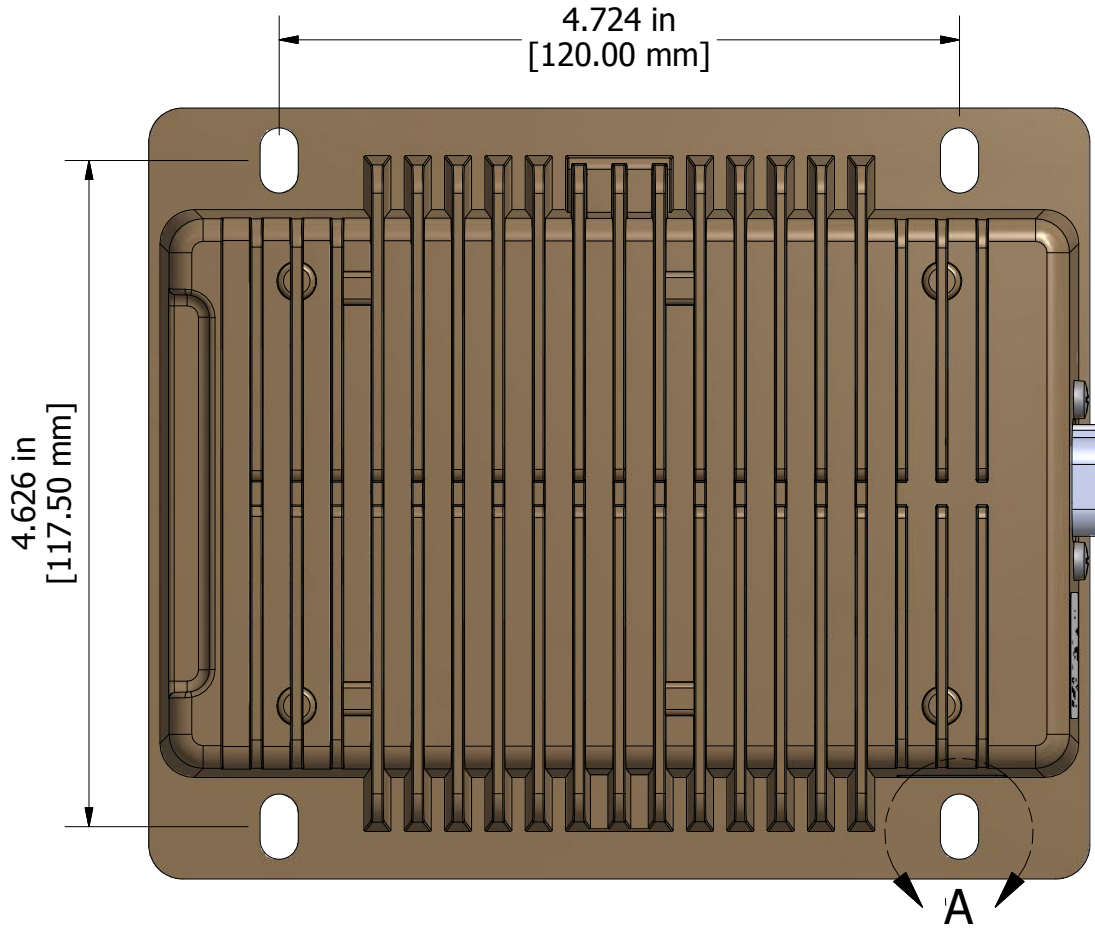


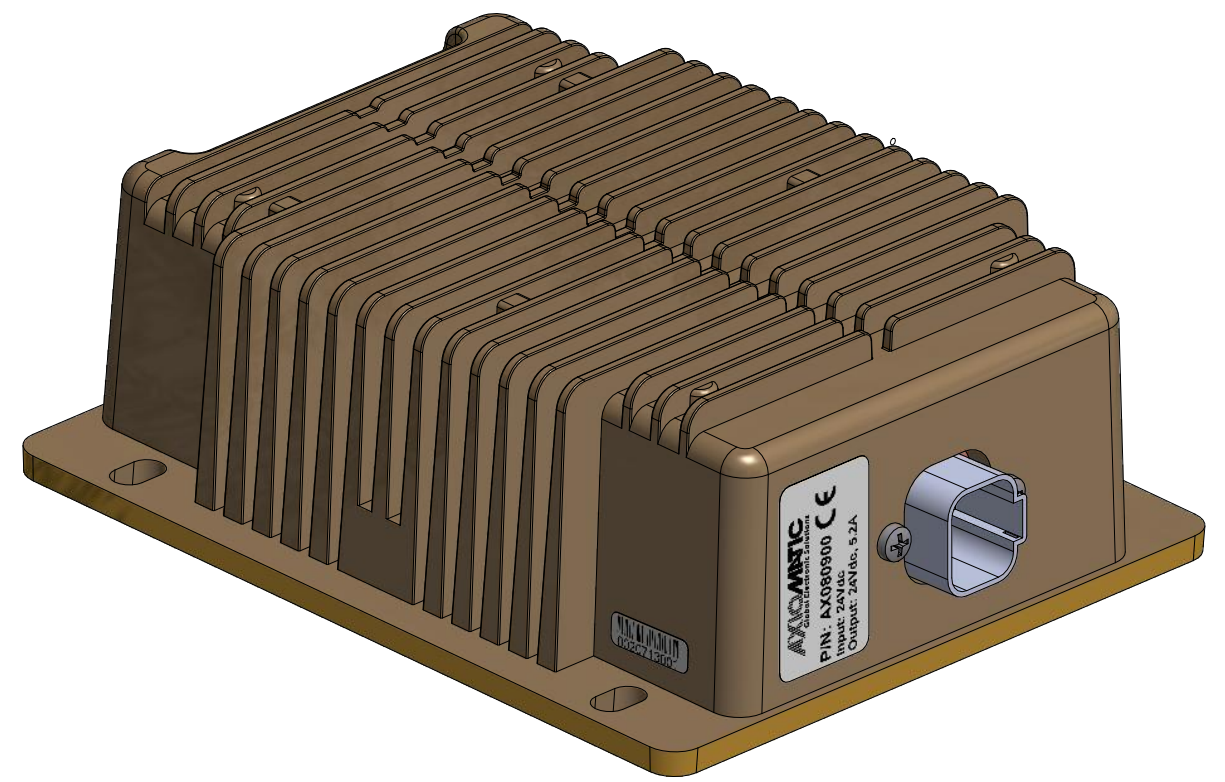
4 3 2 1

B

B



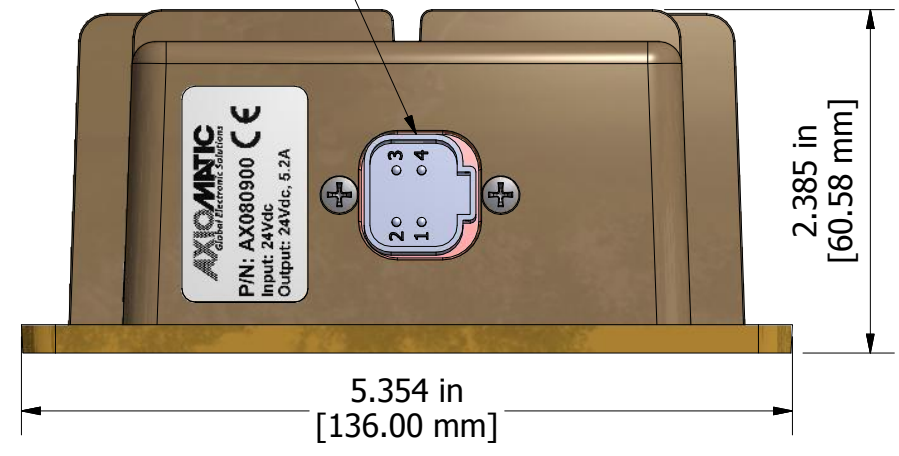
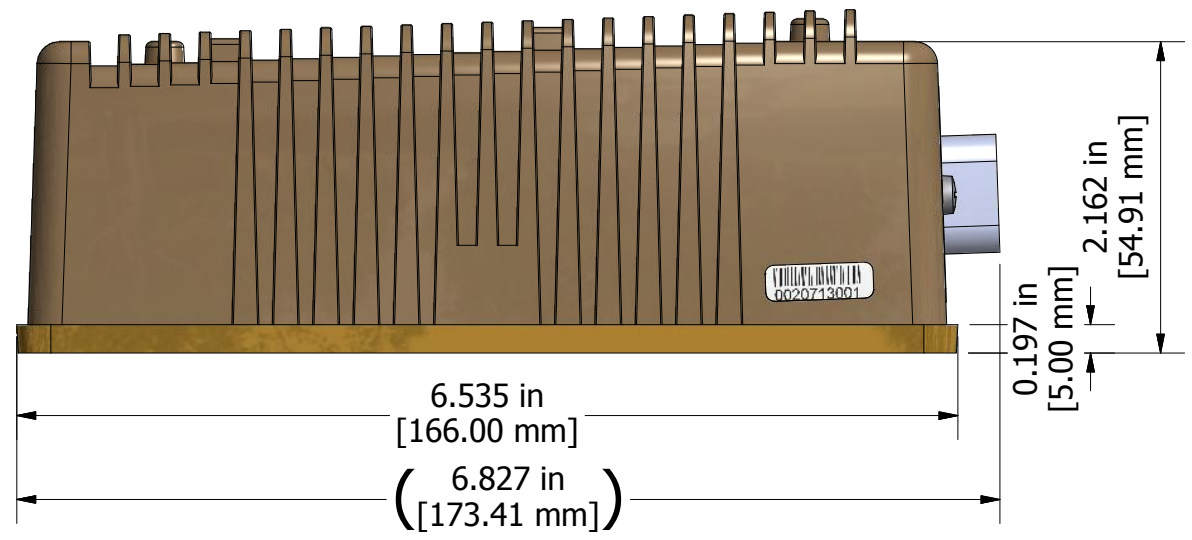
**DETAIL A**  
mounting slot (4)  
to suit an M6 or 1/4 bolt



TE Deutsch DT15-4P  
mates with DT06-4S

A

A



**AXIOMATIC**  
Global Electronic Solutions

**P/N: AX080900** **CE**

**Input: 24Vdc**  
**Output: 24Vdc, 5.2A**

<small>PROPRIETARY</small> THE INFORMATION CONTAINED IN THIS DRAWING IS CONFIDENTIAL AND PROPRIETARY AND REMAINS THE EXCLUSIVE PROPERTY OF AXIOMATIC TECHNOLOGIES CORPORATION. THIS DRAWING MAY NOT BE USED, REPRODUCED IN WHOLE OR IN PART, NOR REVEALED TO OTHERS WITHOUT THE PRIOR WRITTEN CONSENT OF AXIOMATIC TECHNOLOGIES CORPORATION. BY ACCEPTANCE OF THIS DRAWING, THE BEARER AGREES TO THESE CONDITIONS.		<b>AXIOMATIC</b> <small>Global Electronic Solutions</small> AXIOMATIC TECHNOLOGIES CORPORATION 5915 WALLACE ST. MISSISSAUGA, ON CANADA L4Z1Z8 905-602-9270																									
<b>TOLERANCES</b> <table border="1"> <tr> <th colspan="2">fabrication</th> <th colspan="2">machining</th> </tr> <tr> <td>X.XXX</td> <td>+/- 0.015</td> <td>X.XXX</td> <td>+/- 0.005</td> </tr> <tr> <td>X.XX</td> <td>+/- 0.031</td> <td>X.XX</td> <td>+/- 0.010</td> </tr> <tr> <td>X.X</td> <td>+/- 0.031</td> <td>X.X</td> <td>+/- 0.015</td> </tr> <tr> <td>fractional</td> <td>+/- 0.031</td> <td>fractional</td> <td>+/- 0.031</td> </tr> </table>		fabrication		machining		X.XXX	+/- 0.015	X.XXX	+/- 0.005	X.XX	+/- 0.031	X.XX	+/- 0.010	X.X	+/- 0.031	X.X	+/- 0.015	fractional	+/- 0.031	fractional	+/- 0.031	MATERIAL <b>ADC12 die cast aluminum</b>	DRAWN <b>TF</b>	DATE <b>7/15/2016</b>	TITLE <b>Isolated 24-24V 125W DC Converter</b>		
fabrication		machining																									
X.XXX	+/- 0.015	X.XXX	+/- 0.005																								
X.XX	+/- 0.031	X.XX	+/- 0.010																								
X.X	+/- 0.031	X.X	+/- 0.015																								
fractional	+/- 0.031	fractional	+/- 0.031																								
		FINISH <b>MIL-A-8625 type III class I hard anodized</b>	CHECKED	DATE	DWG REV <b>D1</b>	DWG NO <b>AX080900-MD</b>	PART REV <b>A</b>																				
			APPROVED	DATE	SCALE <b>full</b>	PART NO <b>AX080900</b>	SHEET <b>1 of 1</b>																				

4 3 2 1