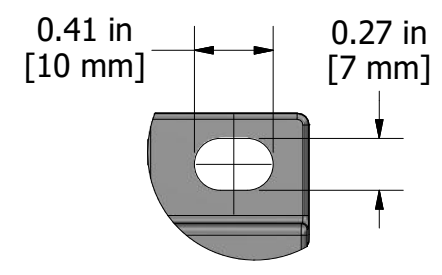
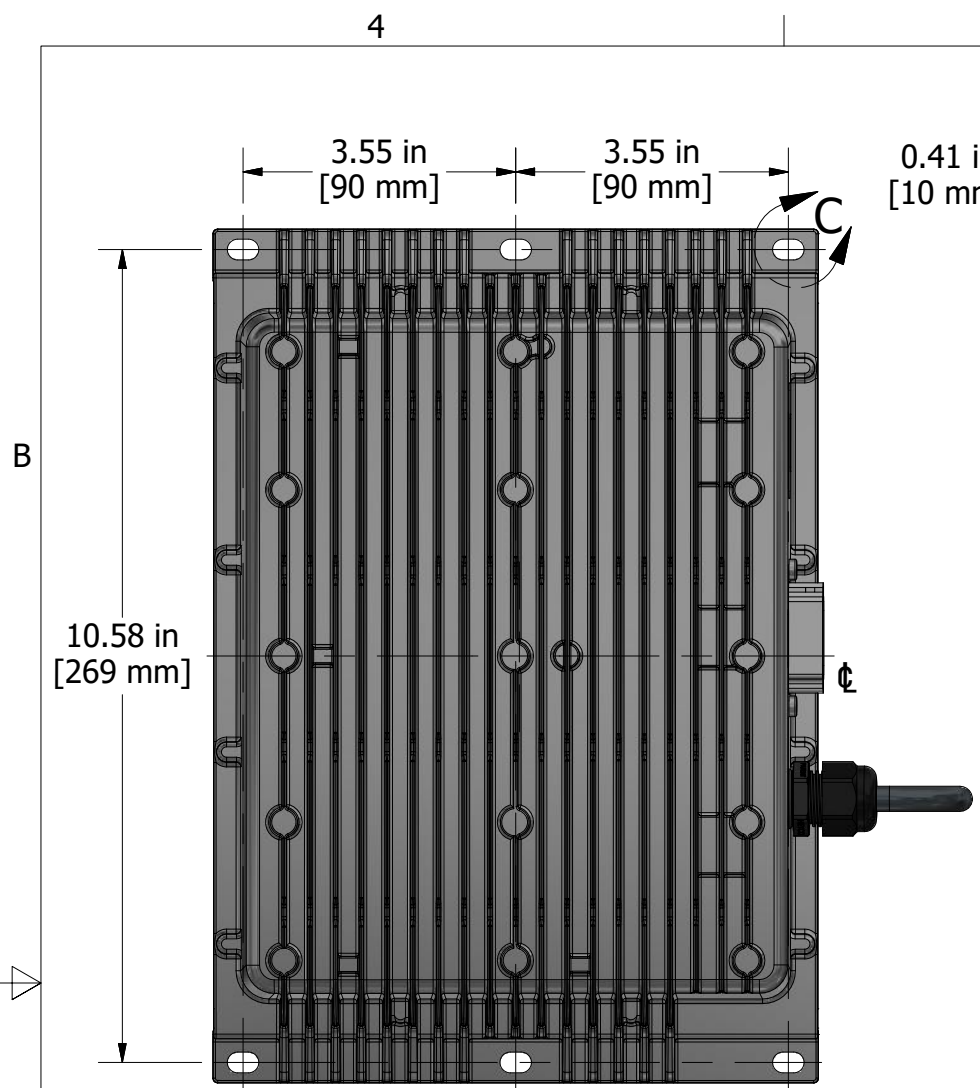
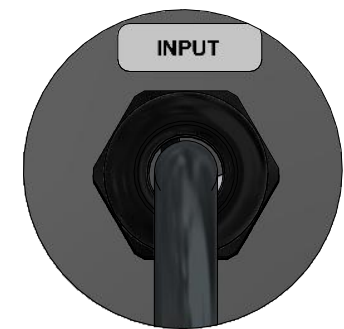
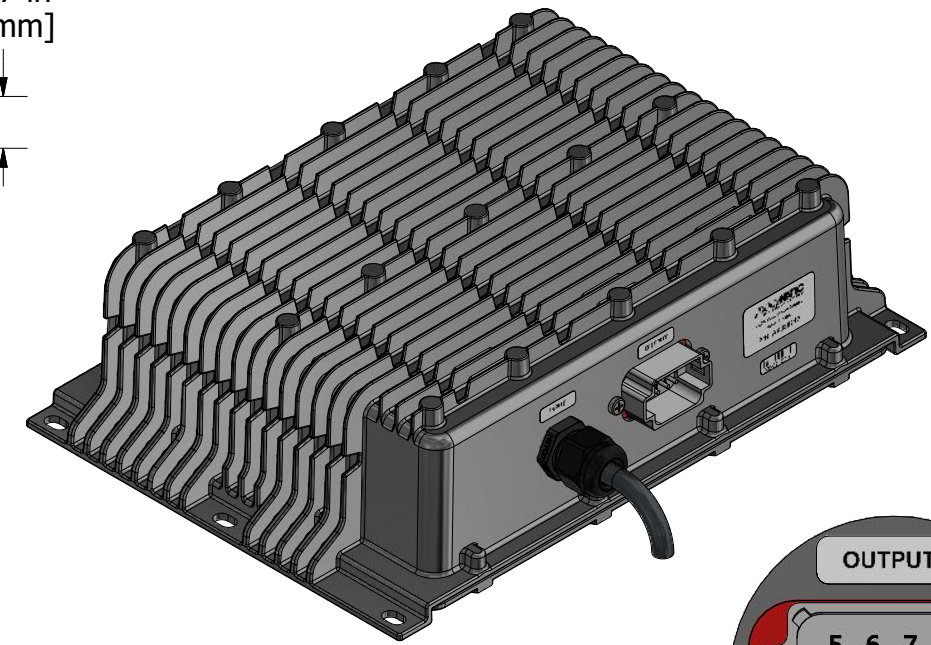


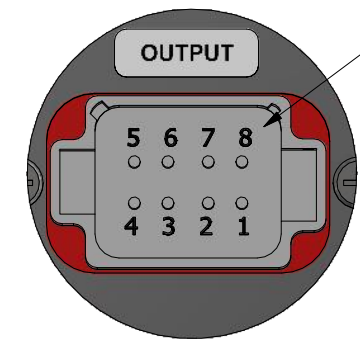
REVISION HISTORY				
REV	DESCRIPTION	DATE	DRAWN	APPROVED
P1-D1	PRODUCTION PILOT	2022-01-18	AZ	GDV



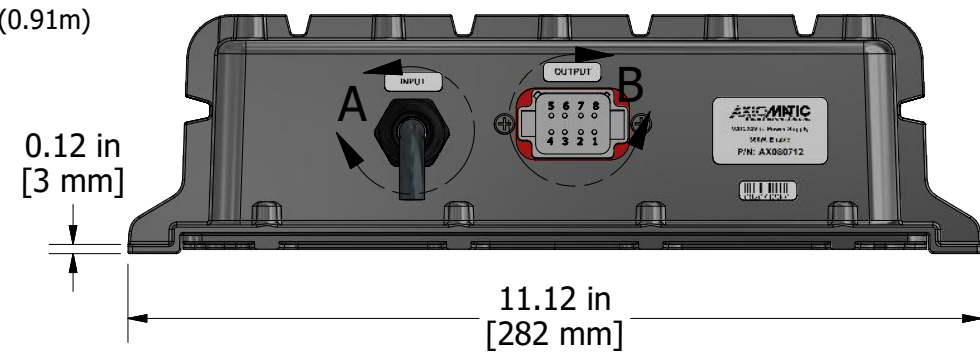
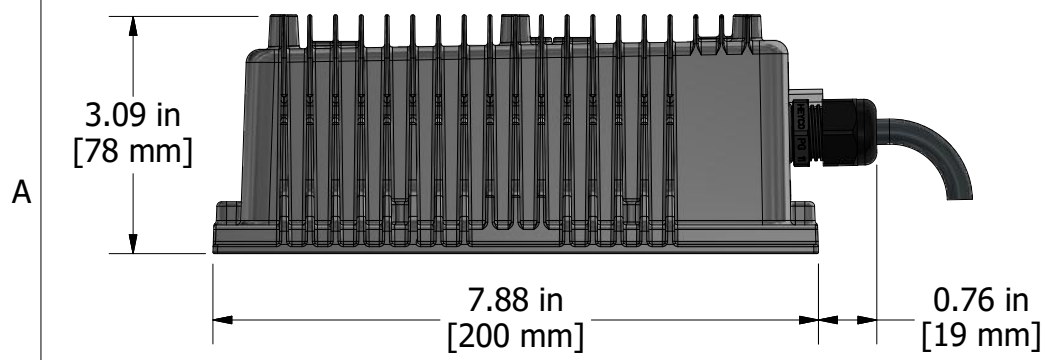
DETAIL C
Mounting Slots
To Suit
M6 Or 1/4" Bolt



DETAIL A
AC INPUT
With Underminated
Power Cord
3ft (0.91m)



DETAIL B
Deutsch DT13-8P
8-Pin Connector
Mates With DT06-8S Plug



Unit Label

<small>PROPRIETARY</small> THE INFORMATION CONTAINED IN THIS DRAWING IS CONFIDENTIAL AND PROPRIETARY AND REMAINS THE EXCLUSIVE PROPERTY OF AXIOMATIC TECHNOLOGIES CORPORATION. THIS DRAWING MAY NOT BE USED, REPRODUCED IN WHOLE OR IN PART, NOR REVEALED TO OTHERS WITHOUT THE PRIOR WRITTEN CONSENT OF AXIOMATIC TECHNOLOGIES CORPORATION. BY ACCEPTANCE OF THIS DRAWING, THE BEARER AGREES TO THESE CONDITIONS.				<small>AXIOMATIC TECHNOLOGIES CORPORATION</small> 5915 WALLACE ST. MISSISSAUGA, ON CANADA L4Z 1Z8 905-602-9270	
<small>DIMENSIONS ARE IN INCHES [mm]</small> <small>UNLESS OTHERWISE SPECIFIED IN DRAWING TOLERANCE ON:</small>		<small>MATERIAL</small> NA	<small>DRAWN</small> AZ	<small>DATE</small> 2022-01-14	<small>TITLE</small> 90-260VAC/12VDC 360W POWER SUPPLY, ENABLE
X.XXX ± 0.015 X.XX ± 0.01 X.X ± 0.1 ANGLES ± 1.0°	<small>FINISH</small> NA	<small>CHECKED</small> TF	<small>DATE</small> 2022-01-17	<small>DWG REV</small> D1	<small>DWG NO</small> AX080712-MD
<small>THIRD ANGLE PROJECTION</small>	<small>TOOL</small> 	<small>APPROVED</small> GDV	<small>DATE</small> 2022-01-18	<small>SCALE</small> 0.4	<small>PART NO</small> AX080712
<small>INVENTOR</small> 	<small>SIZE</small> B	<small>SHEET</small> 1 of 1			