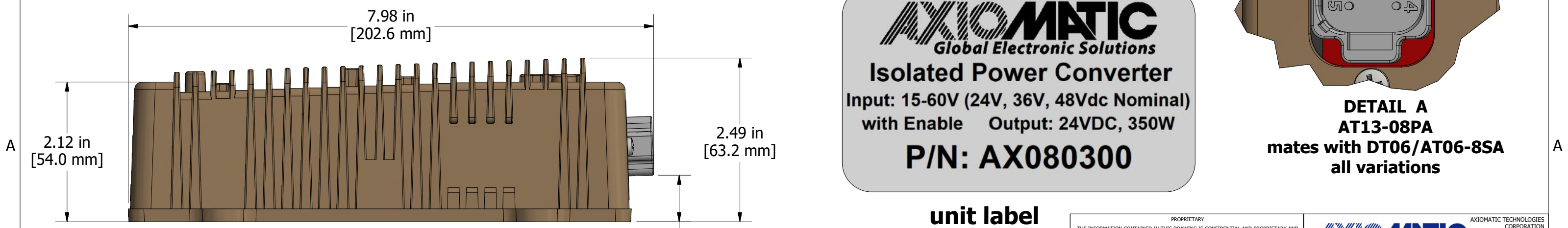
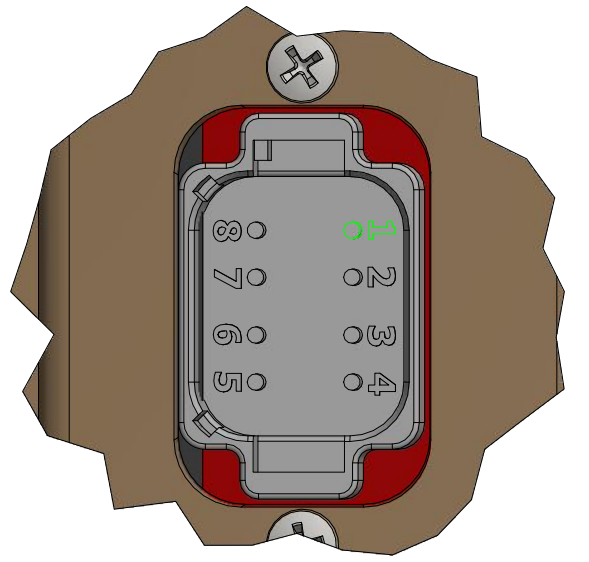


Ø0.270 in
[Ø6.85 mm]
4 places
to suit a 1/4"
or M6 bolt



AXIOMATIC
Global Electronic Solutions

Isolated Power Converter
Input: 15-60V (24V, 36V, 48Vdc Nominal)
with Enable Output: 24VDC, 350W
P/N: AX080300



DETAIL A
AT13-08PA
mates with **DT06/AT06-8SA**
all variations

unit label

DIMENSIONS ARE IN inches [mm]		
Unless otherwise noted, tolerances as stated.		
TOLERANCES	FABRICATION	MACHINING/CASTING/ MOLDING
X.XXX" [X.XX mm]	± 0.015" [0.38 mm]	± 0.005" [0.13 mm]
X.XX" [X.X mm]	± 0.03" [0.7 mm]	± 0.008" [0.2 mm]
X.X" [X mm]	± 0.06" [1.5 mm]	± 0.03" [0.7 mm]
	ANGLES ± 1.0	ANGLES ± 0.5
		others ISO 2768-2 class K

<small>PROPRIETARY</small> THE INFORMATION CONTAINED IN THIS DRAWING IS CONFIDENTIAL AND PROPRIETARY AND REMAINS THE EXCLUSIVE PROPERTY OF AXIOMATIC TECHNOLOGIES CORPORATION. THIS DRAWING MAY NOT BE USED, REPRODUCED IN WHOLE OR IN PART, NOR REVEALED TO OTHERS WITHOUT THE PRIOR WRITTEN CONSENT OF AXIOMATIC TECHNOLOGIES CORPORATION. BY ACCEPTANCE OF THIS DRAWING, THE BEARER AGREES TO THESE CONDITIONS.			
MATERIAL	DRAWN	DATE	TITLE
ADC12 cast aluminum, PA66 connector	TF	2021-10-26	15/60Vdc to 24Vdc Converter, Isolated
FINISH	CHECKED	DATE	DWG REV
MIL-A-8625 type III hard anodize			D1
THIRD ANGLE PROJECTION	TOOL	APPROVED	DATE
	INVENTOR		
	SIZE		
	B		

<small>AXIOMATIC TECHNOLOGIES CORPORATION 5915 WALLACE ST. MISSISSAUGA, ON CANADA L4Z 1Z8 905-602-9270</small>		
DWG NO	PART NO	SHEET
AX080300-MD	AX080300	1 of 1