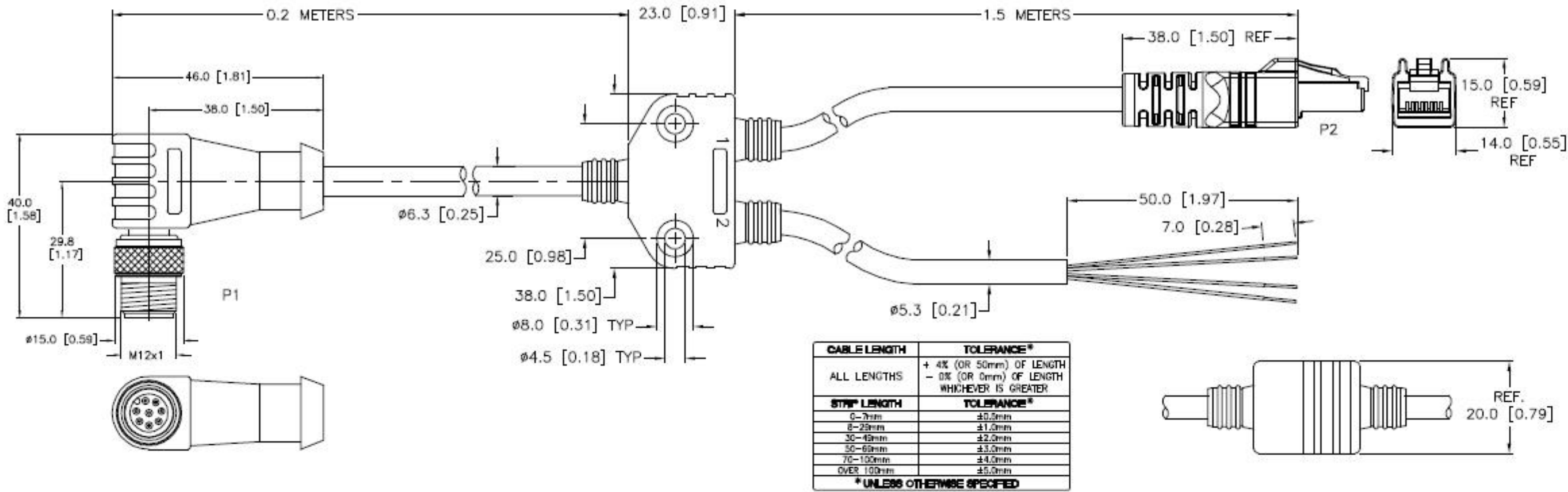


SPECIFICATIONS

CONTACT CARRIER MATERIAL	NYLON OR TPU (J1)
MOLDED HEAD MATERIAL/COLOR	TPU/BLACK (J1,P2)
CONTACT MATERIAL/PLATING	BRASS/GOLD (J1)
COUPLING NUT MATERIAL/PLATING	BRASS/NICKEL (J1)
RATED CURRENT [A]	1.0 A
RATED VOLTAGE [V]	32 V
OUTER CABLE JACKET MATERIAL/COLOR	TPE/TEAL (P1,P2), PVC/YELLOW (FLYING LEADS)
CONDUCTOR INSULATION MATERIAL	HDPE (P1, P2), PVC (FLYING LEADS)
NUMBER OF CONDUCTORS [AWG]	4UTPx24 AWG (P1), 2UTPx24 AWG (P2), 4x22 AWG (FLYING LEADS)
SHIELDING	TINNED-COPPER BRAIDED (P1)
TEMPERATURE RANGE	-40°C to +75°C (-40°F to +167°F)
PROTECTION CLASS	MEETS NEMA 1,3,4,6P AND IEC IP67



CABLE LENGTH	TOLERANCE*
ALL LENGTHS	+ 4% (OR 50mm) OF LENGTH - 0% (OR 0mm) OF LENGTH WHICHEVER IS GREATER
STRIP LENGTH	TOLERANCE*
0-7mm	±0.5mm
8-29mm	±1.0mm
30-49mm	±2.0mm
50-69mm	±3.0mm
70-109mm	±4.0mm
OVER 109mm	±5.0mm

* UNLESS OTHERWISE SPECIFIED

REVISION HISTORY

REV	DESCRIPTION	DATE	APPROVED
R3-D1	initial release	July 31-2017	AW
R3-D2	updated with ordering information	December 18-2017	AW
R3-D3	updated contract number	August 13-2018	AW

TOLERANCES

	fabrication	machining
X.XXX	+/- 0.015	X.XXX +/- 0.005
X.XX	+/- 0.031	X.XX +/- 0.010
X.X	+/- 0.031	X.X +/- 0.015
fractional	+/- 0.031	fractional +/- 0.031

<small>PROPRIETARY</small> THE INFORMATION CONTAINED IN THIS DRAWING IS CONFIDENTIAL AND PROPRIETARY AND REMAINS THE EXCLUSIVE PROPERTY OF AXIOMATIC TECHNOLOGIES CORPORATION. THIS DRAWING MAY NOT BE USED, REPRODUCED IN WHOLE OR IN PART, NOR REVEALED TO OTHERS WITHOUT THE PRIOR WRITTEN CONSENT OF AXIOMATIC TECHNOLOGIES CORPORATION. BY ACCEPTANCE OF THIS DRAWING, THE BEARER AGREES TO THESE CONDITIONS.		AXIOMATIC Global Electronic Solutions <small>AXIOMATIC TECHNOLOGIES CORPORATION 5915 WALLACE ST. MISSISSAUGA, ON CANADA L4Z1Z8 905-602-9270</small>	
MATERIAL	DRAWN TF	DATE 7/31/2017	TITLE Ethernet and Power Cable 1.7 m (5.5 ft.), 8-pin M12 A-coded, Underterminated Leads, Ethernet Jack
FINISH	CHECKED	DATE	DWG REV D3
	APPROVED	DATE	DWG NO AX070531-MD
			PART NO AX070531
			SCALE full
			PART REV 3
			SHEET 1 of 1