

4

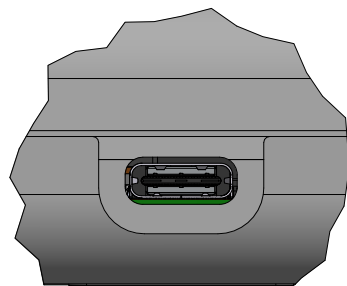
3

2

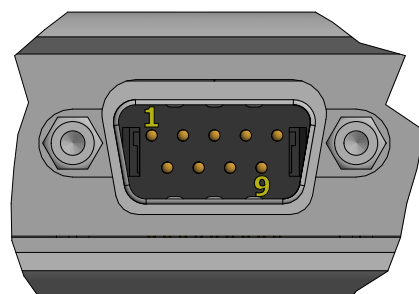
1

REVISION HISTORY

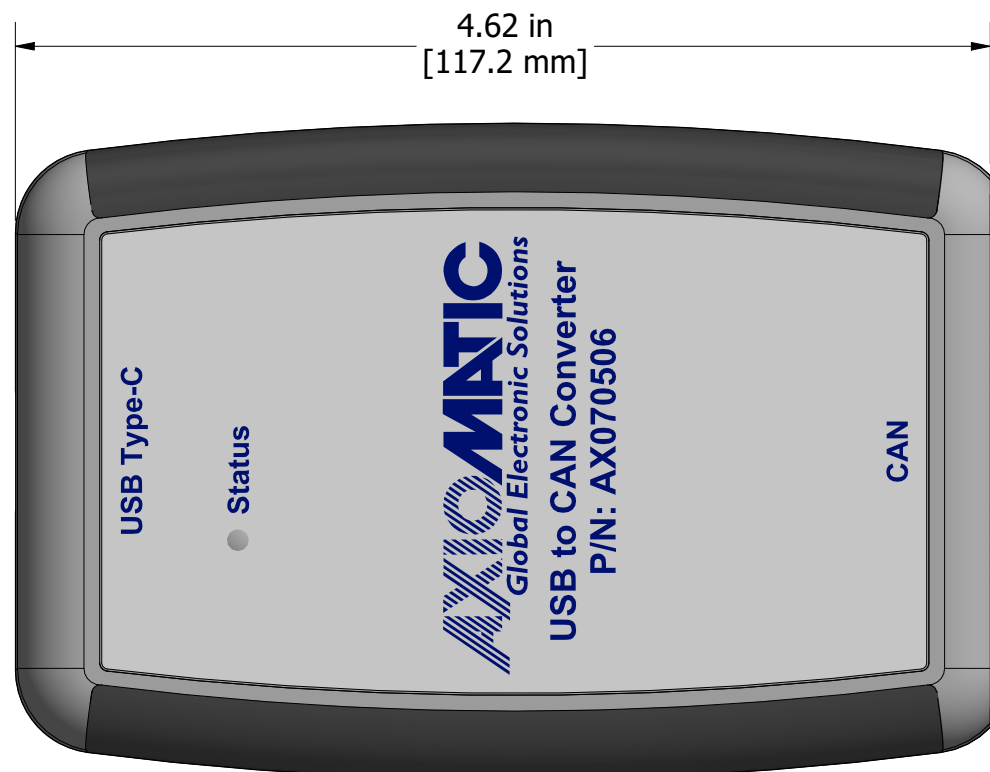
REV	DESCRIPTION	DATE	APPROVED
R1-D1	initial release	October 2-2023	OB



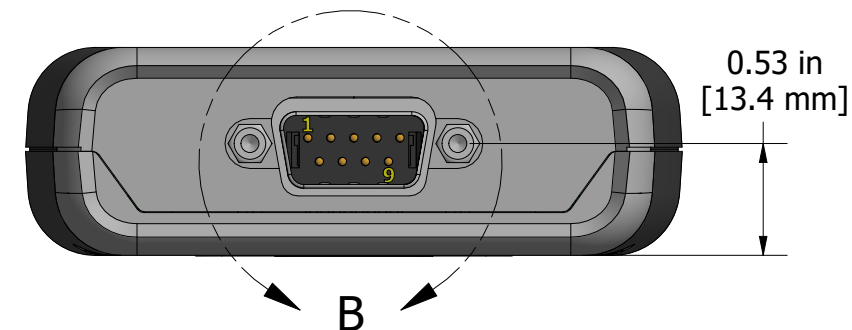
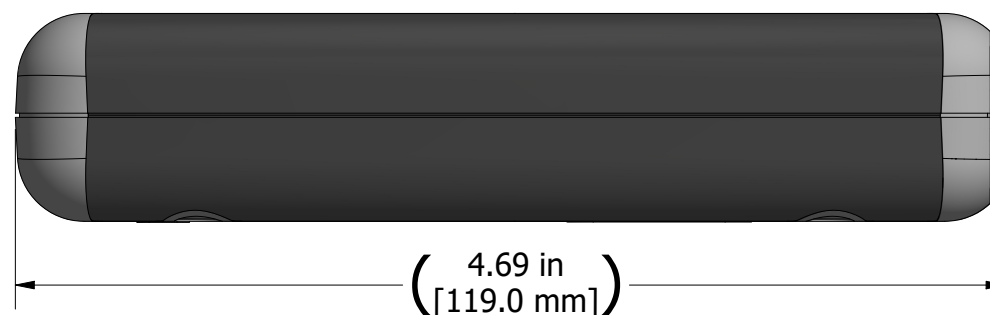
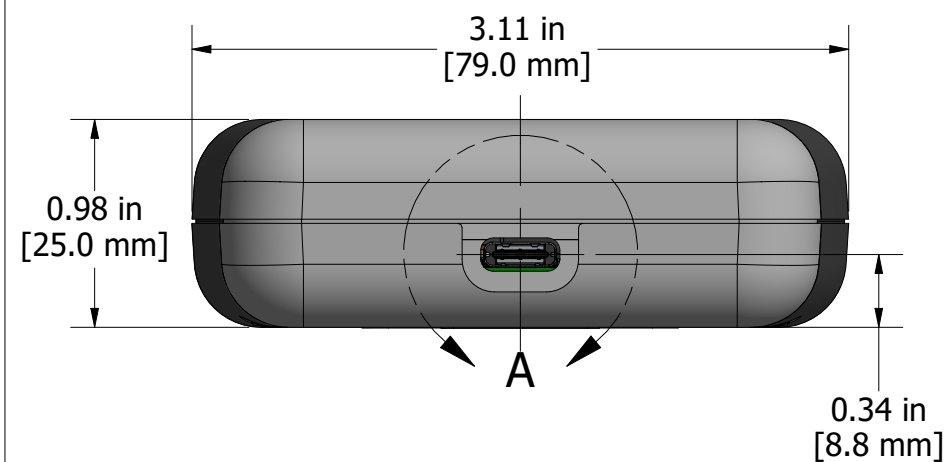
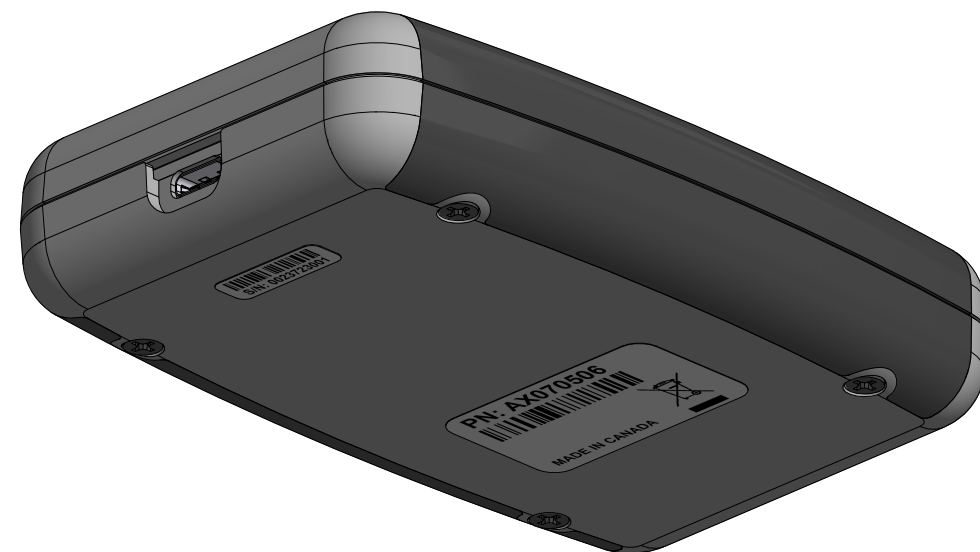
DETAIL A
USB Type-C receptacle



DETAIL B
DB9 CAN connector



4.62 in
[117.2 mm]



<p>PROPRIETARY</p> <p>THE INFORMATION CONTAINED IN THIS DRAWING IS CONFIDENTIAL AND PROPRIETARY AND REMAINS THE EXCLUSIVE PROPERTY OF AXIOMATIC TECHNOLOGIES CORPORATION. THIS DRAWING MAY NOT BE USED, REPRODUCED IN WHOLE OR IN PART, NOR REVEALED TO OTHERS WITHOUT THE PRIOR WRITTEN CONSENT OF AXIOMATIC TECHNOLOGIES CORPORATION. BY ACCEPTANCE OF THIS DRAWING, THE BEARER AGREES TO THESE CONDITIONS.</p>						<p>AXIOMATIC TECHNOLOGIES CORPORATION 1445 Courtneypark Drive MISSISSAUGA, ON CANADA L5T 2E3 905-602-9270</p>	
<p>MATERIAL NA</p>		<p>DRAWN TF</p>	<p>DATE 2023-10-02</p>	<p>TITLE USB-CAN Converter, USB Type-C</p>			
<p>FINISH NA</p>		<p>CHECKED</p>	<p>DATE</p>	<p>DWG REV D1</p>	<p>DWG NO AX070506-MD</p>	<p>PART REV 1</p>	
<p>THIRD ANGLE PROJECTION</p>		<p>TOOL INVENTOR SIZE B</p>	<p>APPROVED</p>	<p>DATE</p>	<p>SCALE 1.1</p>	<p>PART NO AX070506</p>	<p>SHEET 1 of 1</p>

DIMENSIONS ARE IN inches [mm]		
Unless otherwise noted, tolerances as stated.		
TOLERANCES	FABRICATION	MACHINING/CASTING/ MOLDING
X.XXX" [X.XX mm]	± 0.015" [0.38 mm]	± 0.005" [0.13 mm]
X.XX" [X.X mm]	± 0.03" [0.7 mm]	± 0.008" [0.2 mm]
X.X" [X mm]	± 0.06" [1.5 mm]	± 0.03" [0.7 mm]
	ANGLES ± 1.0	ANGLES ± 0.5
		others ISO 2768-2 class K

4

3

2

1