

4

3

2

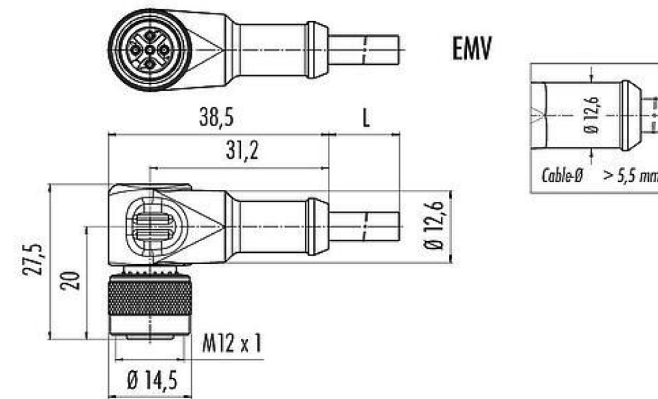
1

REVISIONS			
REV.	DESCRIPTION	DATE	APPROVED
PI-D1	initial release	2024-11-20	GDV

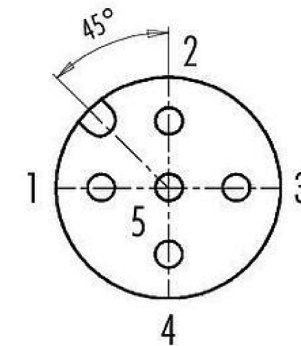
Illustration



Scale drawing



Contact arrangement (Plug-in side)



- 1 brown
- 2 white
- 3 blue
- 4 black
- 5 grey

Shielded versions:
shield = housing

PROPRIETARY AND CONFIDENTIAL				<small>AXIOMATIC TECHNOLOGIES CORPORATION 1445 COURTNEY PARK DR E MISSISSAUGA, ON CANADA L5T2E3 905-602-9270</small>			
<small>THE INFORMATION CONTAINED IN THIS DRAWING IS CONFIDENTIAL AND PROPRIETARY AND REMAINS THE EXCLUSIVE PROPERTY OF AXIOMATIC TECHNOLOGIES CORPORATION. THIS DRAWING MAY NOT BE USED, REPRODUCED IN WHOLE OR IN PART, NOR REVEALED TO OTHERS WITHOUT THE PRIOR WRITTEN CONSENT OF AXIOMATIC TECHNOLOGIES CORPORATION. BY ACCEPTANCE OF THIS DRAWING, THE BEARER AGREES TO THESE CONDITIONS.</small>						TITLE: gigabit ethernet power cable	
<small>DIMENSIONS ARE IN INCHES [mm]</small>		MATERIAL TF		DRAWN TF		DATE 2024-11-20	
<small>UNLESS OTHERWISE SPECIFIED IN DRAWING TOLERANCE ON:</small>		FINISH		CHECKED		DATE	
<small>X.XXX ±0.005 X.XX ±0.01 X.X ±0.1 ANGLES ±1.0° Others follow ISO 2768-2, tolerance class K</small>		THIRD ANGLE PROJECTION 		TOOL SOLIDWORKS		DWG REV D1	
		SIZE B		APPROVED		DATE	
				SCALE 1:20		PART NO AX070169	
				SHEET SHEET 1 OF 1		PART REV P1	

4

3

2

1

B

B

A

A