

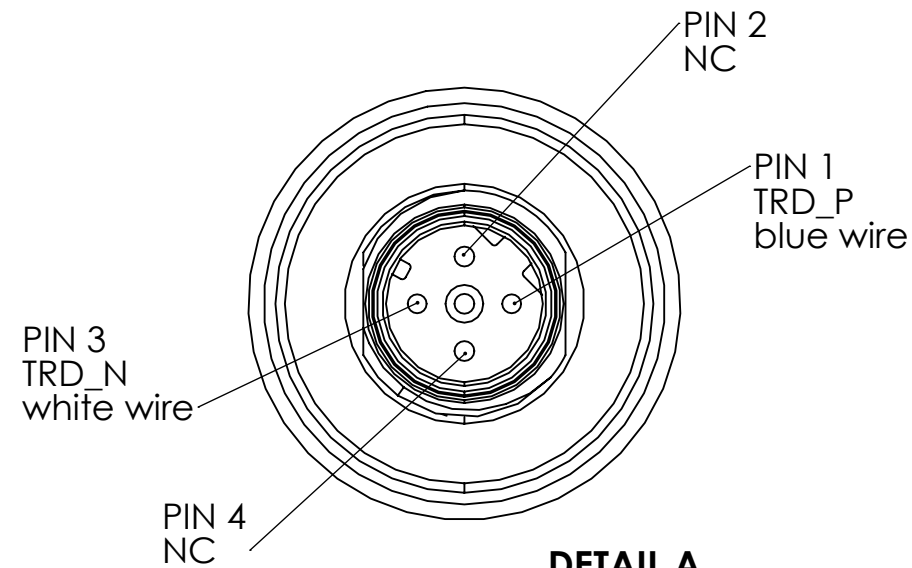
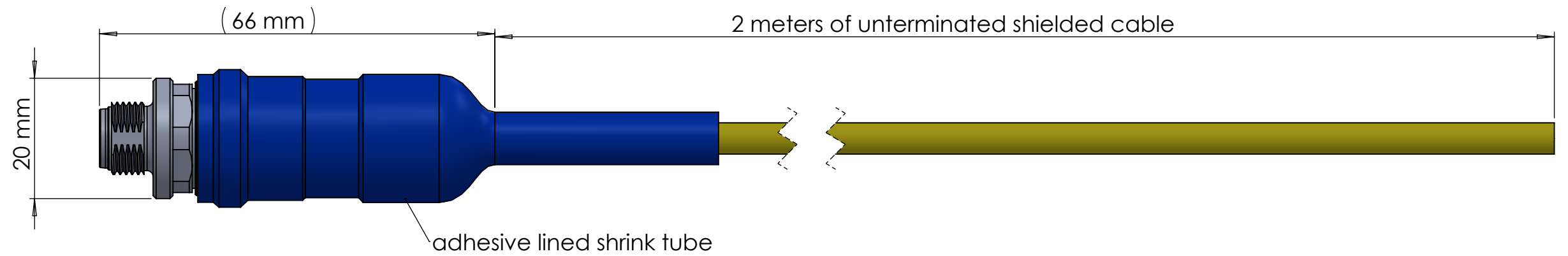
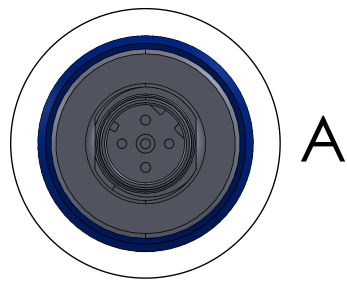
4

3

2

1

REVISIONS			
REV.	DESCRIPTION	DATE	APPROVED
PI-D1	released for review and quote	2024-09-26	PY
P2-D1	added ferrules	2024-10-04	PY



DETAIL A
4 position male D coded
M12 connector

DIMENSIONS ARE IN INCHES [mm]
UNLESS OTHERWISE SPECIFIED
IN DRAWING TOLERANCE ON:
X.XXX ±0.005
X.XX ±0.01
X.X ±0.1
ANGLES ±1.0°
Others follow ISO 2768-2,
tolerance class K

PROPRIETARY AND CONFIDENTIAL THE INFORMATION CONTAINED IN THIS DRAWING IS CONFIDENTIAL AND PROPRIETARY AND REMAINS THE EXCLUSIVE PROPERTY OF AXIOMATIC TECHNOLOGIES CORPORATION. THIS DRAWING MAY NOT BE USED, REPRODUCED IN WHOLE OR IN PART, NOR REVEALED TO OTHERS WITHOUT THE PRIOR WRITTEN CONSENT OF AXIOMATIC TECHNOLOGIES CORPORATION. BY ACCEPTANCE OF THIS DRAWING, THE BEARER AGREES TO THESE CONDITIONS.				AXIOMATIC TECHNOLOGIES CORPORATION 1445 COURTNEY PARK DR E MISSISSAUGA, ON CANADA L5T2E3 905-602-9270	
MATERIAL	DRAWN	DATE	TITLE:		
FINISH	TF	2024-09-26	gigabit ethernet cable		
THIRD ANGLE PROJECTION	CHECKED	DATE	DWG REV	DWG NO	PART REV
TOOL			D1	AX070168-MD	P2
SIZE B	APPROVED	DATE	SCALE	PART NO	SHEET
			1:20	AX070168	SHEET 1 OF 1

4

3

2

1