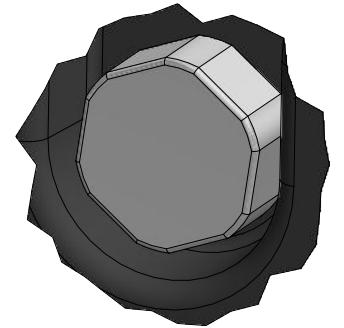


**DETAIL A
M12 5 POSITION MALE AND
FEMALE CONNECTORS**

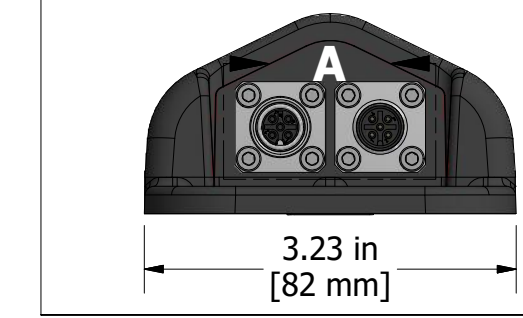


**DETAIL B
POLYVENT VALVE**



Unit Label

REVISION HISTORY			
REV	DESCRIPTION	DATE	APPROVED
P2-D1	INITIAL RELEASE	2022-05-02	GDV
P2.1-D2	MG UPDATED BASED ON PRODUCTION FEEDBACK	2022-11-25	GDV





<small>PROPRIETARY</small> <small>THE INFORMATION CONTAINED IN THIS DRAWING IS CONFIDENTIAL AND PROPRIETARY AND REMAINS THE EXCLUSIVE PROPERTY OF AXIOMATIC TECHNOLOGIES CORPORATION. THIS DRAWING MAY NOT BE USED, REPRODUCED IN WHOLE OR IN PART, NOR REVEALED TO OTHERS WITHOUT THE PRIOR WRITTEN CONSENT OF AXIOMATIC TECHNOLOGIES CORPORATION. BY ACCEPTANCE OF THIS DRAWING, THE BEARER AGREES TO THESE CONDITIONS.</small>				<small>AXIOMATIC TECHNOLOGIES CORPORATION</small> <small>5915 WALLACE ST.</small> <small>MISSISSAUGA, ON</small> <small>CANADA L4Z 1Z8</small> <small>905-602-9270</small>			
MATERIAL NA	DRAWN EL	DATE 2022-05-02	TITLE LASER RECEIVER				
FINISH NA	CHECKED	DATE	DWG REV D2	DWG NO AX064000-MD	PART REV P2.1		
THIRD ANGLE PROJECTION	TOOL INVENTOR SIZE B	APPROVED	DATE	SCALE 0.6	PART NO AX064000		
			SHEET 1 of 2		1		

LASER RECEIVER PINOUT

M12 MALE CONNECTOR PIN ASSIGNMENT	
PIN	FUNCTION
1	CAN SHIELD
2	POWER+
3	POWER-
4	CAN_H
5	CAN_L

M12 FEMALE CONNECTOR PIN ASSIGNMENT	
PIN	FUNCTION
1	CAN SHIELD
2	POWER+
3	POWER-
4	CAN_H
5	CAN_L

PROPRIETARY THE INFORMATION CONTAINED IN THIS DRAWING IS CONFIDENTIAL AND PROPRIETARY AND REMAINS THE EXCLUSIVE PROPERTY OF AXIOMATIC TECHNOLOGIES CORPORATION. THIS DRAWING MAY NOT BE USED, REPRODUCED IN WHOLE OR IN PART, NOR REVEALED TO OTHERS WITHOUT THE PRIOR WRITTEN CONSENT OF AXIOMATIC TECHNOLOGIES CORPORATION. BY ACCEPTANCE OF THIS DRAWING, THE BEARER AGREES TO THESE CONDITIONS.						AXIOMATIC TECHNOLOGIES CORPORATION 5915 WALLACE ST. MISSISSAUGA, ON CANADA L4Z 1Z8 905-602-9270	
MATERIAL NA	DRAWN EL	DATE 2022-05-02	TITLE LASER RECEIVER				
FINISH NA	CHECKED	DATE	DWG REV D2	DWG NO AX064000-MD	PART REV P2.1		
THIRD ANGLE PROJECTION 	TOOL INVENTOR SIZE B	APPROVED	DATE	SCALE 1	PART NO AX064000	SHEET 2 of 2	