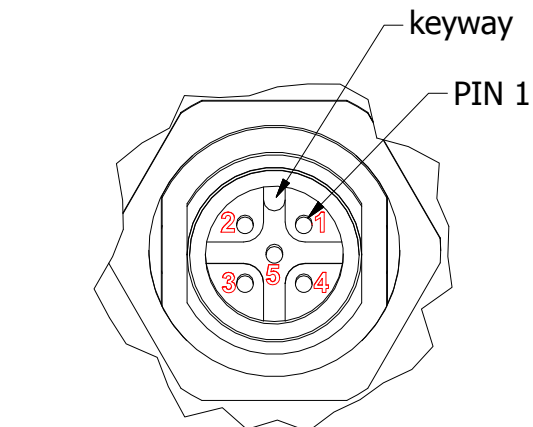
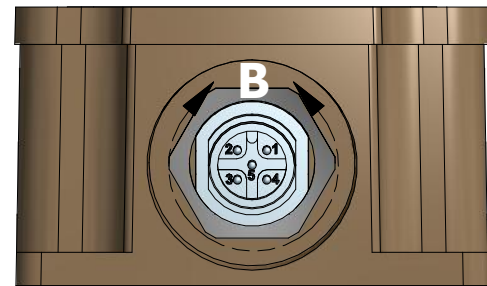


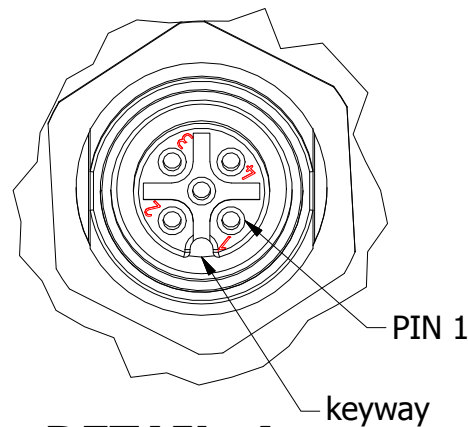
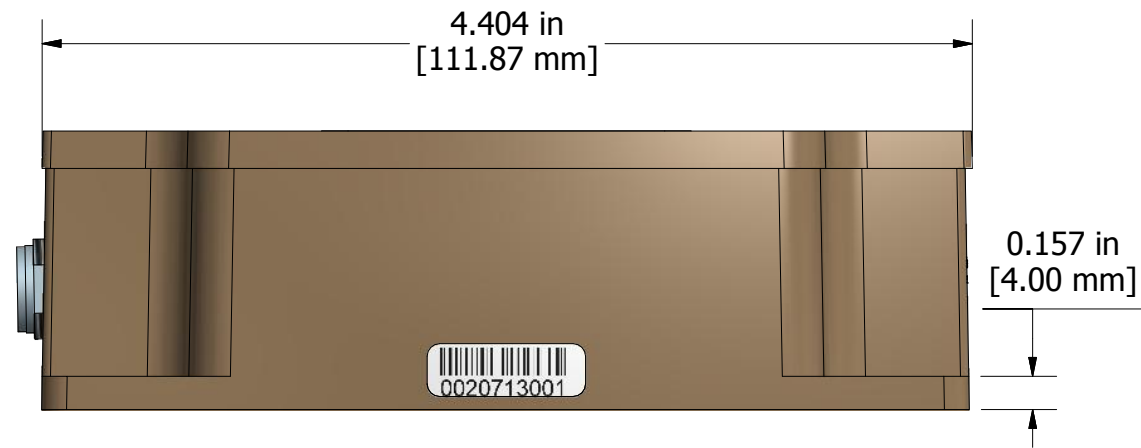
Ø0.217 in  
[5.50 mm]  
to suit an  
M5 or #10 bolt (4)



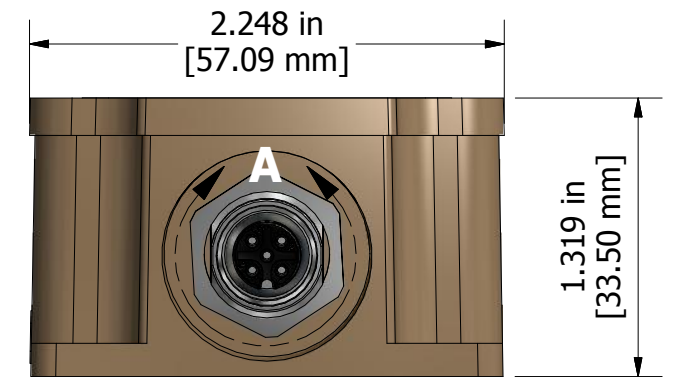
**unit label**



**DETAIL B**  
5 pin A coded M12  
male input connector



**DETAIL A**  
5 position A coded  
female output connector



<p>PROPRIETARY</p> <p>THE INFORMATION CONTAINED IN THIS DRAWING IS CONFIDENTIAL AND PROPRIETARY AND REMAINS THE EXCLUSIVE PROPERTY OF AXIOMATIC TECHNOLOGIES CORPORATION. THIS DRAWING MAY NOT BE USED, REPRODUCED IN WHOLE OR IN PART, NOR REVEALED TO OTHERS WITHOUT THE PRIOR WRITTEN CONSENT OF AXIOMATIC TECHNOLOGIES CORPORATION. BY ACCEPTANCE OF THIS DRAWING, THE BEARER AGREES TO THESE CONDITIONS.</p>		<p>AXIOMATIC TECHNOLOGIES CORPORATION 5915 WALLACE ST. MISSISSAUGA, ON CANADA L4Z1Z8 905-602-9270</p>												
<p><b>TOLERANCES</b></p> <table border="1"> <tr> <th>fabrication</th> <th>machining</th> </tr> <tr> <td>X.XXX +/- 0.015</td> <td>X.XXX +/- 0.005</td> </tr> <tr> <td>X.XX +/- 0.031</td> <td>X.XX +/- 0.010</td> </tr> <tr> <td>X.X +/- 0.031</td> <td>X.X +/- 0.015</td> </tr> <tr> <td>fractional +/- 0.031</td> <td>fractional +/- 0.031</td> </tr> </table>		fabrication	machining	X.XXX +/- 0.015	X.XXX +/- 0.005	X.XX +/- 0.031	X.XX +/- 0.010	X.X +/- 0.031	X.X +/- 0.015	fractional +/- 0.031	fractional +/- 0.031	<p>MATERIAL</p> <p>die cast aluminum</p> <p>FINISH</p> <p>hard anodized</p>	<p>DRAWN</p> <p>TF</p> <p>DATE</p> <p>9/10/2018</p> <p>CHECKED</p> <p>DATE</p> <p>APPROVED</p> <p>DATE</p>	<p>TITLE</p> <p>tri-axial inclinometer, analog output</p> <p>DWG REV</p> <p>D1</p> <p>DWG NO</p> <p>AX061000-MD</p> <p>PART NO</p> <p>AX061000</p> <p>SCALE</p> <p>full</p> <p>PART REV</p> <p>A</p> <p>SHEET</p> <p>1 of 1</p>
fabrication	machining													
X.XXX +/- 0.015	X.XXX +/- 0.005													
X.XX +/- 0.031	X.XX +/- 0.010													
X.X +/- 0.031	X.X +/- 0.015													
fractional +/- 0.031	fractional +/- 0.031													