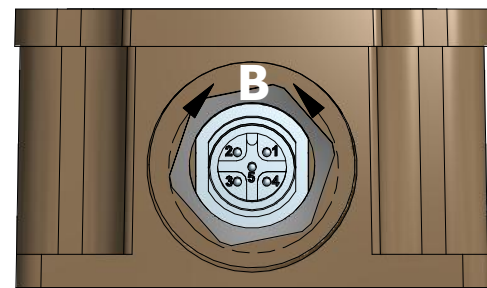
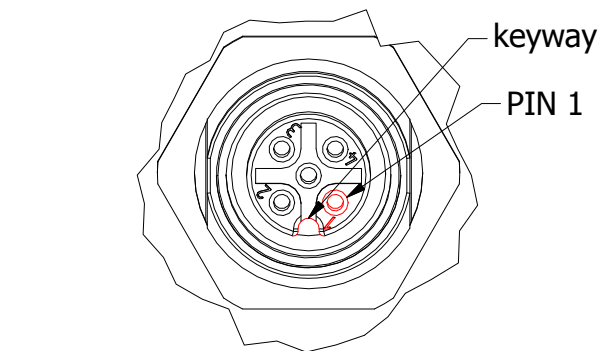
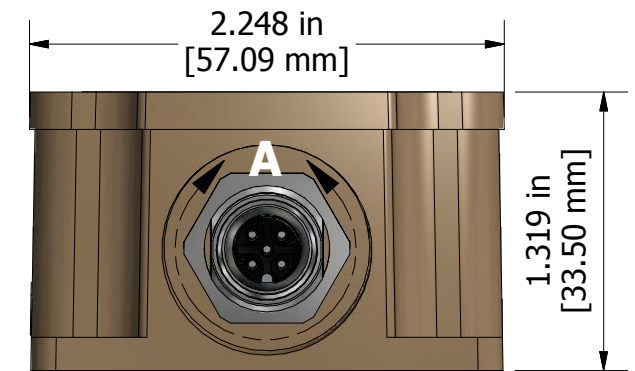
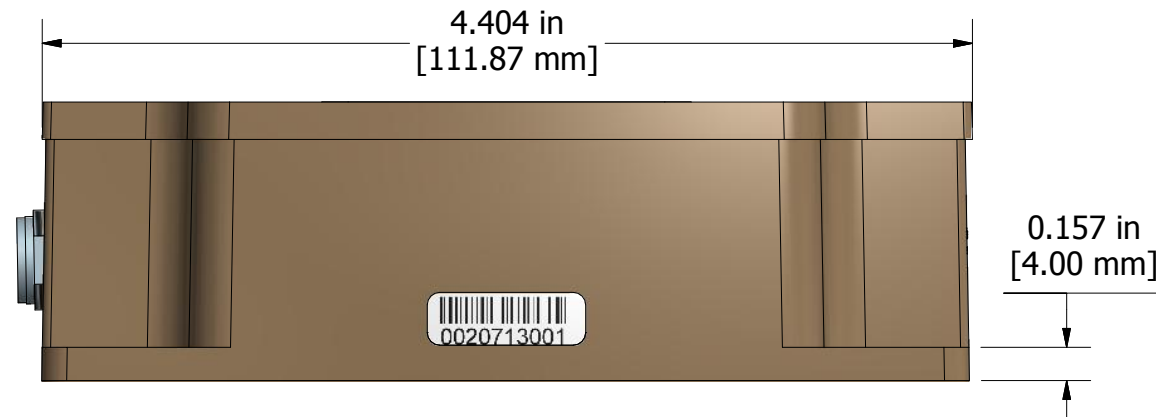


unit label



DETAIL B
5 pin A coded M12
male input connector



DETAIL A
5 position A coded
female output connector

TOLERANCES	
fabrication	machining
X.XXX +/- 0.015	X.XXX +/- 0.005
X.XX +/- 0.031	X.XX +/- 0.010
X.X +/- 0.031	X.X +/- 0.015
fractional +/- 0.031	fractional +/- 0.031

<small>PROPRIETARY</small> THE INFORMATION CONTAINED IN THIS DRAWING IS CONFIDENTIAL AND PROPRIETARY AND REMAINS THE EXCLUSIVE PROPERTY OF AXIOMATIC TECHNOLOGIES CORPORATION. THIS DRAWING MAY NOT BE USED, REPRODUCED IN WHOLE OR IN PART, NOR REVEALED TO OTHERS WITHOUT THE PRIOR WRITTEN CONSENT OF AXIOMATIC TECHNOLOGIES CORPORATION. BY ACCEPTANCE OF THIS DRAWING, THE BEARER AGREES TO THESE CONDITIONS.		AXIOMATIC Global Electronic Solutions <small>AXIOMATIC TECHNOLOGIES CORPORATION 5915 WALLACE ST. MISSISSAUGA, ON CANADA L4Z1Z8 905-602-9270</small>	
MATERIAL	DRAWN TF	DATE 6/18/2019	TITLE 3D 3 Gyro-Compensated, Triaxial Inclinometer, CANopen
FINISH	CHECKED	DATE	DWG REV D1
	APPROVED	DATE	DWG NO AX060911-MD
		SCALE full	PART NO AX060911
			SHEET 1 of 1