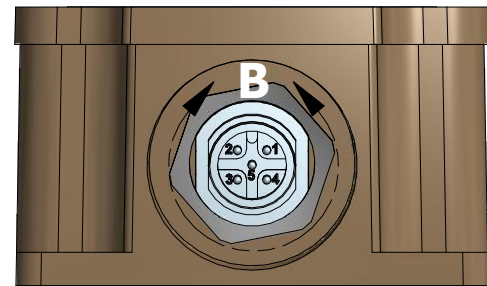
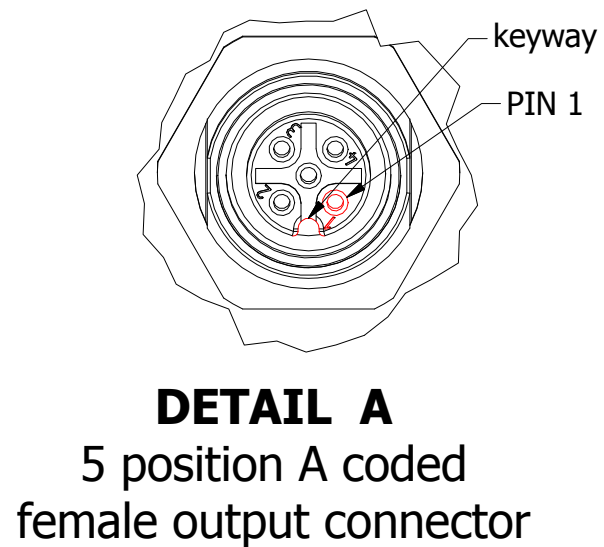
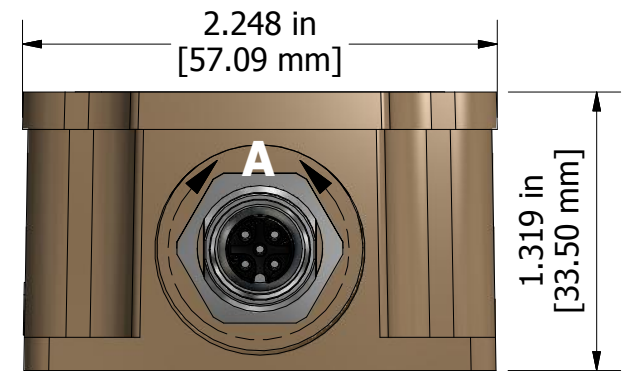
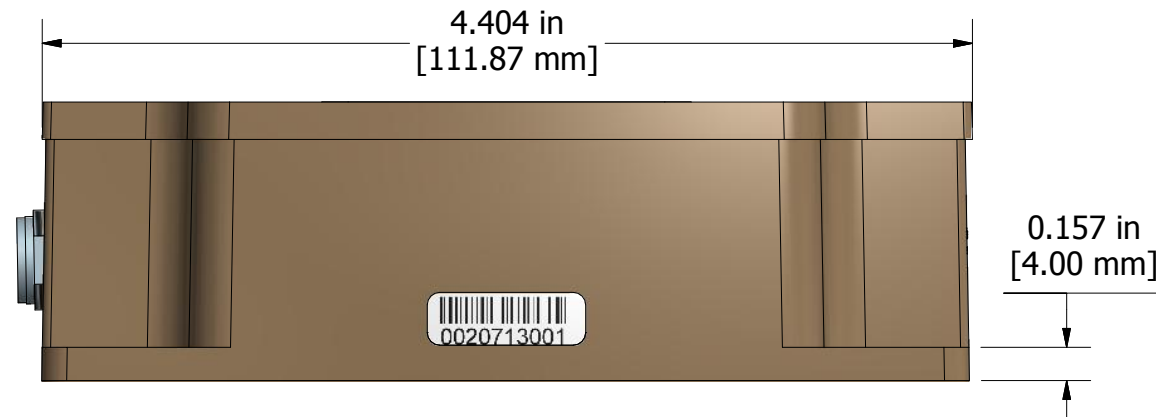


unit label



DETAIL B
5 pin A coded M12
male input connector



DETAIL A
5 position A coded
female output connector

TOLERANCES			
fabrication		machining	
X.XXX	+/- 0.015	X.XXX	+/- 0.005
X.XX	+/- 0.031	X.XX	+/- 0.010
X.X	+/- 0.031	X.X	+/- 0.015
fractional	+/- 0.031	fractional	+/- 0.031

<small>PROPRIETARY</small> THE INFORMATION CONTAINED IN THIS DRAWING IS CONFIDENTIAL AND PROPRIETARY AND REMAINS THE EXCLUSIVE PROPERTY OF AXIOMATIC TECHNOLOGIES CORPORATION. THIS DRAWING MAY NOT BE USED, REPRODUCED IN WHOLE OR IN PART, NOR REVEALED TO OTHERS WITHOUT THE PRIOR WRITTEN CONSENT OF AXIOMATIC TECHNOLOGIES CORPORATION. BY ACCEPTANCE OF THIS DRAWING, THE BEARER AGREES TO THESE CONDITIONS.				AXIOMATIC Global Electronic Solutions <small>AXIOMATIC TECHNOLOGIES CORPORATION 5915 WALLACE ST. MISSISSAUGA, ON CANADA L4Z1Z8 905-602-9270</small>			
MATERIAL		DRAWN	DATE	TITLE			
FINISH		TF	5/9/2018	3D 3 Gyro-Compensated, Triaxial Inclinometer, SAE J1939			
		CHECKED	DATE	DWG REV	DWG NO	PART REV	
		APPROVED	DATE	D1	AX060910-MD	A	
				SCALE	PART NO	SHEET	
				full	FG-AX060910	1 of 1	