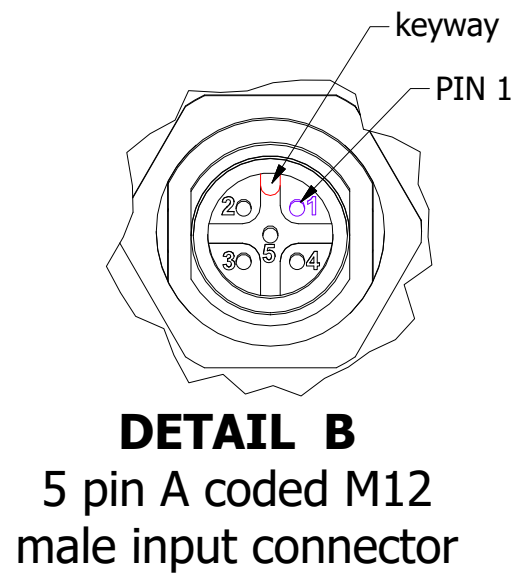
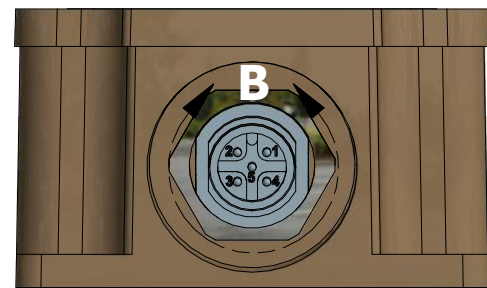
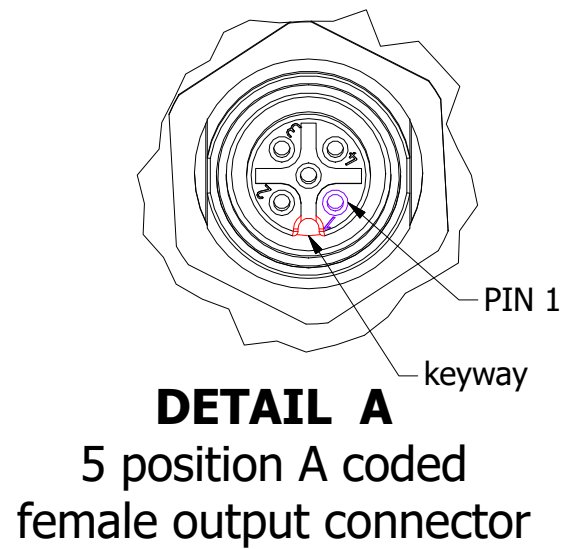
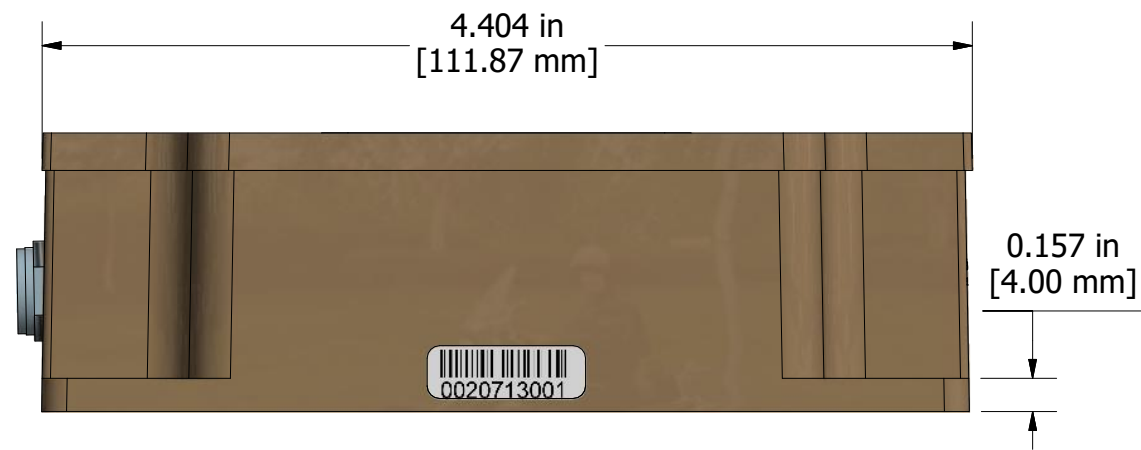


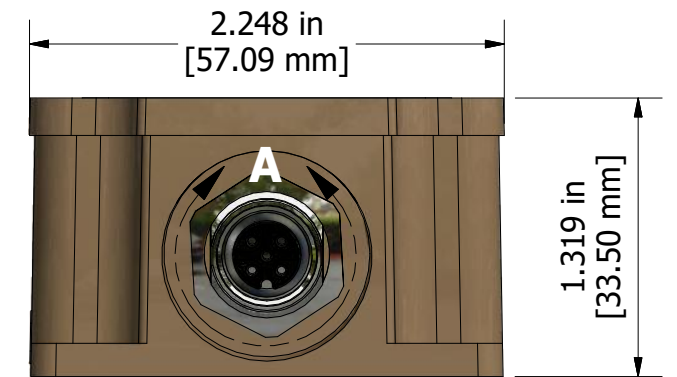
unit label



DETAIL B
5 pin A coded M12
male input connector



DETAIL A
5 position A coded
female output connector



TOLERANCES	
fabrication	machining
X.XXX +/- 0.015	X.XXX +/- 0.005
X.XX +/- 0.031	X.XX +/- 0.010
X.X +/- 0.031	X.X +/- 0.015
fractional +/- 0.031	fractional +/- 0.031

MATERIAL		DRAWN	DATE	TITLE		
		TF	2018-04-17	tri-axial gyro compensated inclinometer, J1939		
FINISH		CHECKED	DATE	DWG REV	DWG NO	PART REV
		APPROVED	DATE	D1	AX060900-MD	A
				SCALE	PART NO	SHEET
				full	FG-AX060900	1 of 1

AXIOMATIC Technologies Corporation
5915 WALLACE ST.
MISSISSAUGA, ON
CANADA L4Z1Z8
905-602-9270

PROPRIETARY
THE INFORMATION CONTAINED IN THIS DRAWING IS CONFIDENTIAL AND PROPRIETARY AND REMAINS THE EXCLUSIVE PROPERTY OF AXIOMATIC TECHNOLOGIES CORPORATION. THIS DRAWING MAY NOT BE USED, REPRODUCED IN WHOLE OR IN PART, NOR REVEALED TO OTHERS WITHOUT THE PRIOR WRITTEN CONSENT OF AXIOMATIC TECHNOLOGIES CORPORATION. BY ACCEPTANCE OF THIS DRAWING, THE BEARER AGREES TO THESE CONDITIONS.