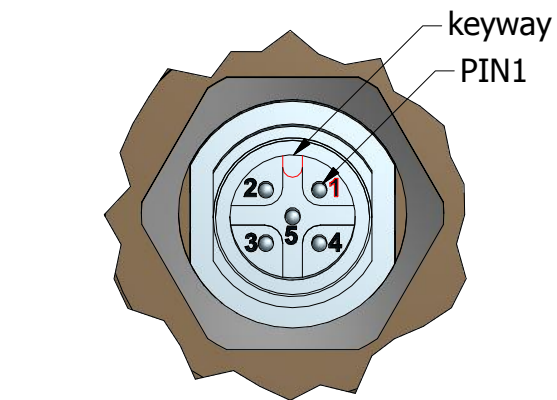
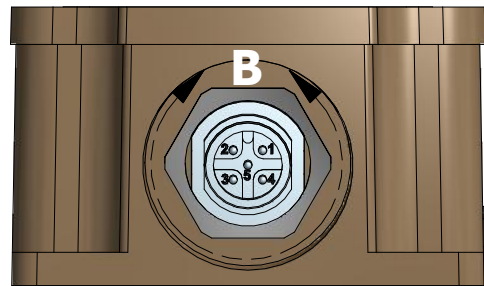
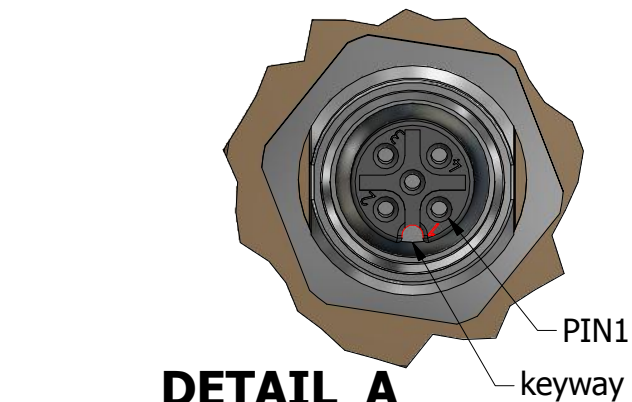
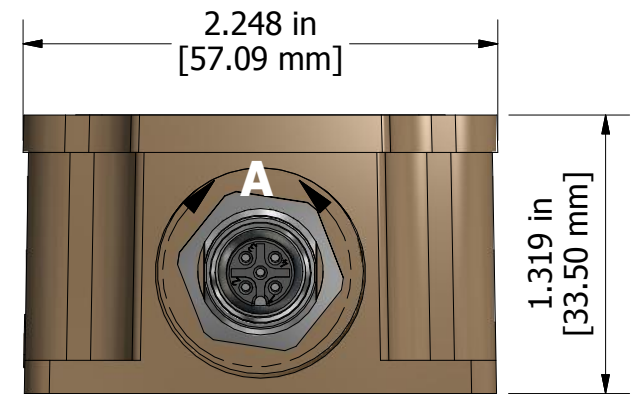
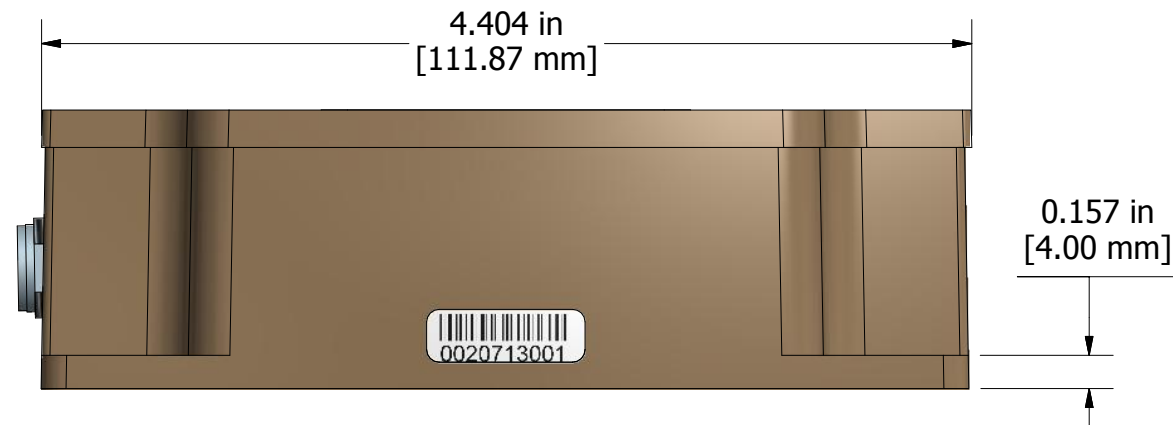


**unit label**



**DETAIL B**  
5 pin A coded M12  
male input connector



**DETAIL A**  
5 position A coded M12  
female output connector

TOLERANCES			
fabrication		machining	
X.XXX	+/- 0.015	X.XXX	+/- 0.005
X.XX	+/- 0.031	X.XX	+/- 0.010
X.X	+/- 0.031	X.X	+/- 0.015
fractional	+/- 0.031	fractional	+/- 0.031

MATERIAL  
hard anodized  
aluminum  
housing, EPDM  
gasket

DRAWN	DATE
TF	11/20/2017
CHECKED	DATE
APPROVED	DATE

<small>PROPRIETARY</small> THE INFORMATION CONTAINED IN THIS DRAWING IS CONFIDENTIAL AND PROPRIETARY AND REMAINS THE EXCLUSIVE PROPERTY OF AXIOMATIC TECHNOLOGIES CORPORATION. THIS DRAWING MAY NOT BE USED, REPRODUCED IN WHOLE OR IN PART, NOR REVEALED TO OTHERS WITHOUT THE PRIOR WRITTEN CONSENT OF AXIOMATIC TECHNOLOGIES CORPORATION. BY ACCEPTANCE OF THIS DRAWING, THE BEARER AGREES TO THESE CONDITIONS.			
AXIOMATIC TECHNOLOGIES CORPORATION 5915 WALLACE ST. MISSISSAUGA, ON CANADA L4Z1Z8 905-602-9270			
<b>TITLE</b> High Precision Triaxial Inclinometer, Vertical Mount, J1939			
DWG REV	DWG NO	PART REV	
D1	AX060838-MD	A	
SCALE	PART NO	SHEET	
full	AX060838	1 of 1	