

4 3 2 1

B

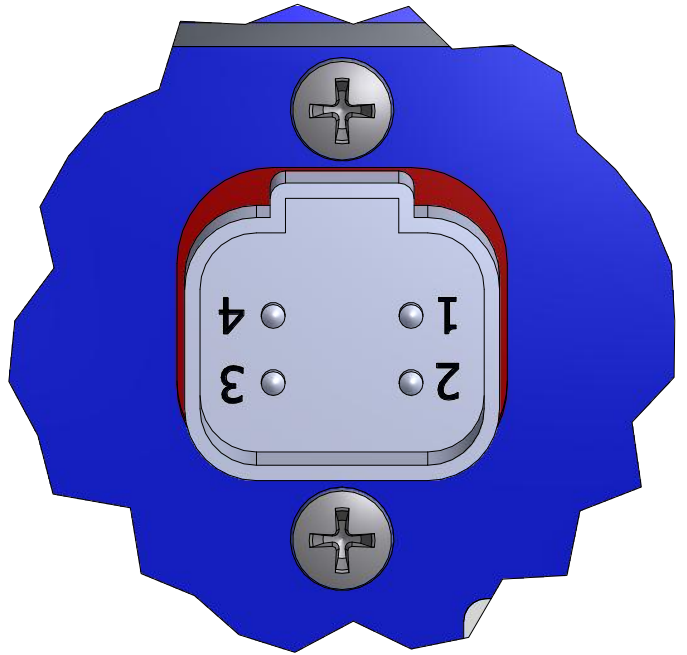
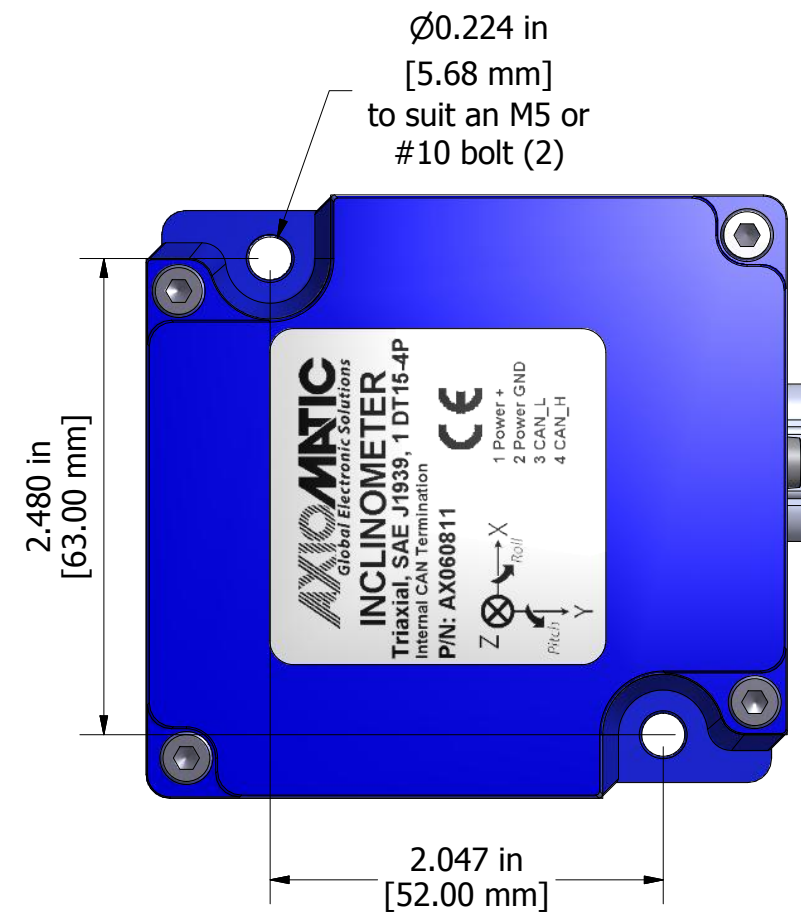
B

A

A

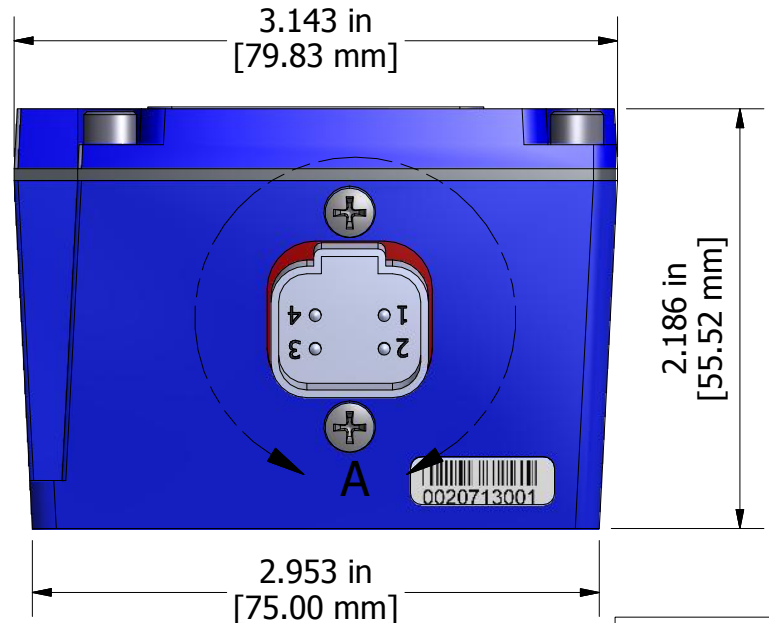
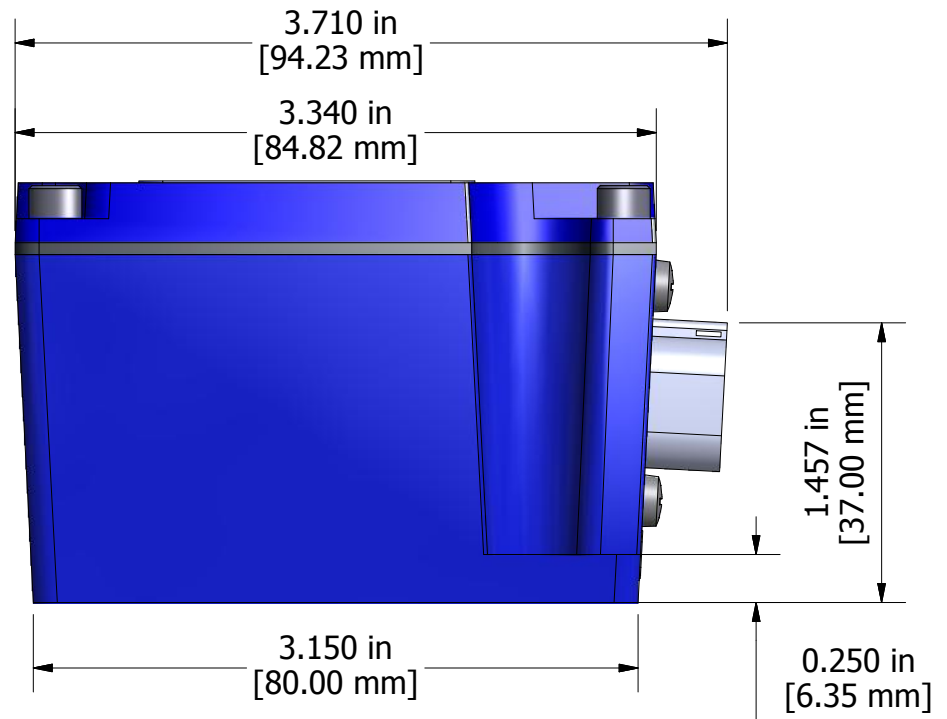
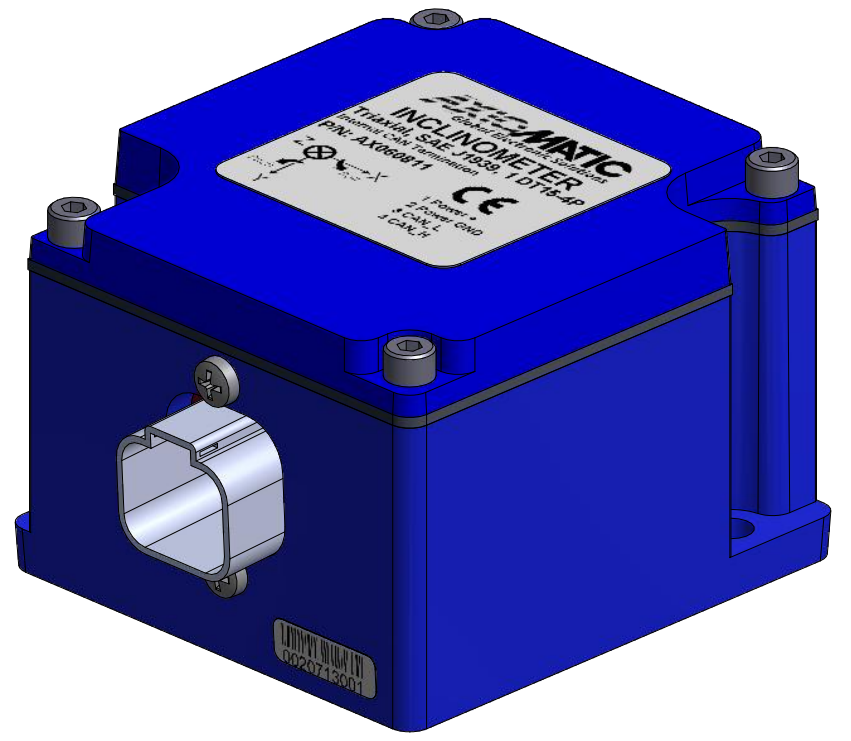
A

A



DETAIL A

DT15-4P receptacle
 mating plug is Deutsch IPD P/N: DT06-4S
 with two wedgelocks (W4S) and 4 contacts (0462-201-16141).
 All field wiring should be suitable for the operating temperature range.



TOLERANCES	
fabrication	machining
X.XXX +/- 0.015"	X.XXX +/- 0.005"
X.XX +/- 0.031"	X.XX +/- 0.010"
X.X +/- 0.031"	X.X +/- 0.015"
fractional +/- 0.031"	fractional +/- 0.031"

<small>PROPRIETARY</small> THE INFORMATION CONTAINED IN THIS DRAWING IS CONFIDENTIAL AND PROPRIETARY AND REMAINS THE EXCLUSIVE PROPERTY OF AXIOMATIC TECHNOLOGIES CORPORATION. THIS DRAWING MAY NOT BE USED, REPRODUCED IN WHOLE OR IN PART, NOR REVEALED TO OTHERS WITHOUT THE PRIOR WRITTEN CONSENT OF AXIOMATIC TECHNOLOGIES CORPORATION. BY ACCEPTANCE OF THIS DRAWING, THE BEARER AGREES TO THESE CONDITIONS.		AXIOMATIC TECHNOLOGIES CORPORATION 5915 WALLACE ST. MISSISSAUGA, ON CANADA L4Z1Z8 905-602-9270	
MATERIAL	DRAWN	DATE	TITLE
die cast powder coat aluminum with a neoprene gasket	TF	11/19/2019	Triaxial Inclinometer, High Performance, SAE J1939, 1 DT15-4P Connector, Internal Termination
	CHECKED	DATE	DWG REV
			D1
	APPROVED	DATE	DWG NO
			AX060811-MD
			PART NO
			AX060811
			SHEET
			1 of 1

4 3 2 1