

4 3 2 1

B

B

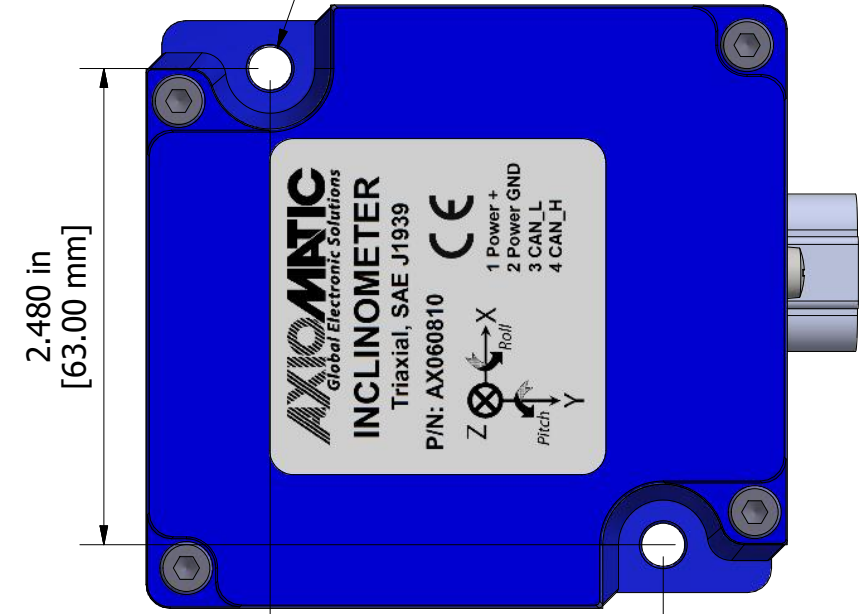
A

A

A

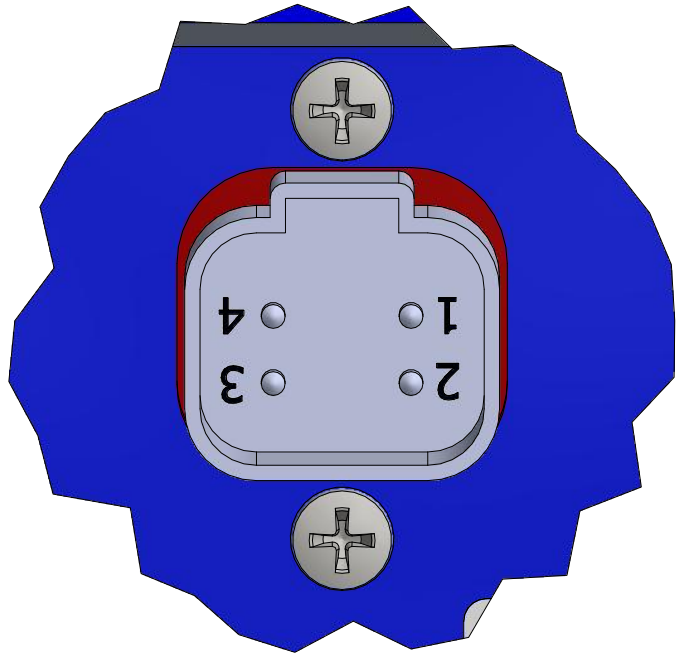
A

Ø0.224 in
[5.68 mm]
to suit an M5 or
#10 bolt (2)



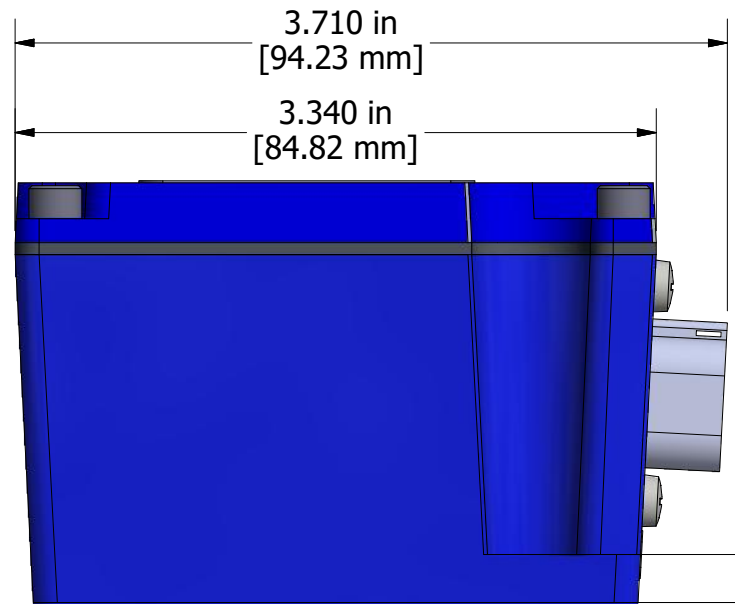
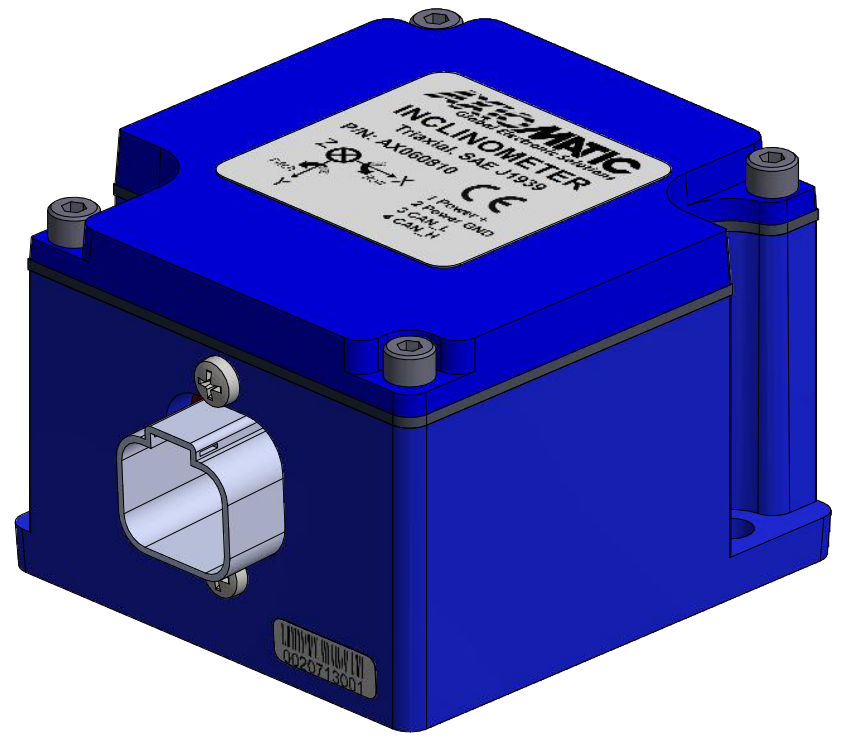
2.480 in
[63.00 mm]

2.047 in
[52.00 mm]



DETAIL A

DT15-4P receptacle
mating plug is TE Deutsch P/N: DT06-4S
with two wedgelocks (W4S) and 4 contacts (0462-201-16141).
All field wiring should be suitable for the operating temperature range.



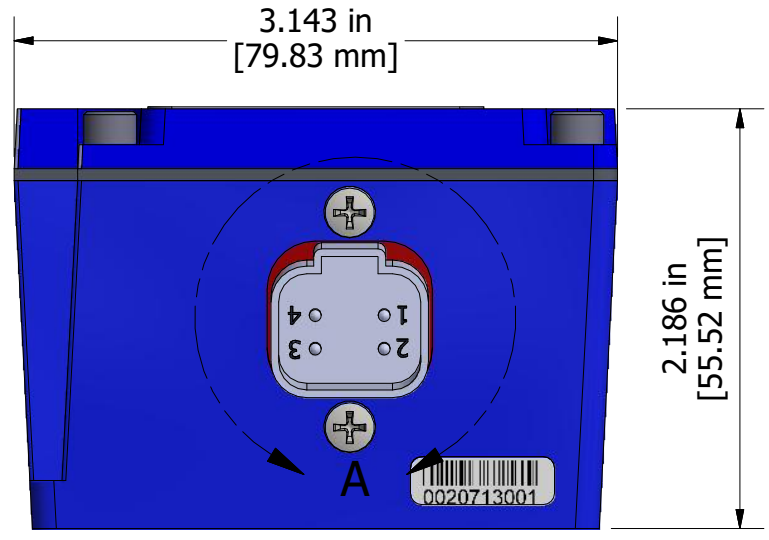
3.710 in
[94.23 mm]

3.340 in
[84.82 mm]

1.457 in
[37.00 mm]

3.150 in
[80.00 mm]

0.250 in
[6.35 mm]



3.143 in
[79.83 mm]

2.186 in
[55.52 mm]

2.953 in
[75.00 mm]



TOLERANCES	
fabrication	machining
X.XXX +/- 0.015"	X.XXX +/- 0.005"
X.XX +/- 0.031"	X.XX +/- 0.010"
X.X +/- 0.031"	X.X +/- 0.015"
fractional +/- 0.031"	fractional +/- 0.031"

<small>PROPRIETARY</small> THE INFORMATION CONTAINED IN THIS DRAWING IS CONFIDENTIAL AND PROPRIETARY AND REMAINS THE EXCLUSIVE PROPERTY OF AXIOMATIC TECHNOLOGIES CORPORATION. THIS DRAWING MAY NOT BE USED, REPRODUCED IN WHOLE OR IN PART, NOR REVEALED TO OTHERS WITHOUT THE PRIOR WRITTEN CONSENT OF AXIOMATIC TECHNOLOGIES CORPORATION. BY ACCEPTANCE OF THIS DRAWING, THE BEARER AGREES TO THESE CONDITIONS.		<small>AXIOMATIC TECHNOLOGIES CORPORATION</small> 5915 WALLACE ST. MISSISSAUGA, ON CANADA L4Z1Z8 905-602-9270	
MATERIAL	DRAWN	DATE	TITLE
die cast powder coat aluminum with a neoprene gasket	TF	2019-11-19	Triaxial Inclinometer, High Performance, SAE J1939, 1 DT15-4P Connector
	CHECKED	DATE	DWG REV
			D1
	APPROVED	DATE	DWG NO
			AX060810-MD
			PART NO
			AX060810
			SHEET
			1 of 1

4 3 2 1