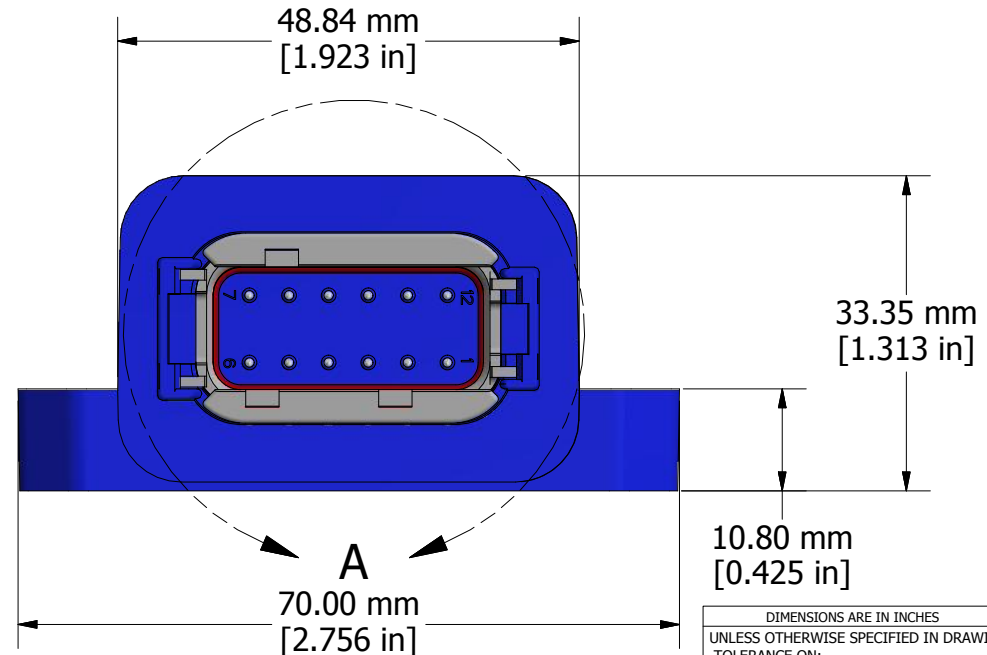


Molded in TE Deutsch receptacle DTM04-12PA, mates with DTM06-12SA.

connector pin assignment			
PIN	FUNCTION	PIN	FUNCTION
1	BATT -	7	CAN_L
2	TX +	8	DIN 2
3	RX +	9	DIN 1
4	DIN 3	10	RX -
5	DIN 4	11	TX -
6	CAN_H	12	BATT +



REVISION HISTORY			
REV	DESCRIPTION	DATE	APPROVED
P1-D1	PRODUCTION PILOT	03/09/2020	GDV
P1-D2	LABEL WAS UPDATED	04/06/2020	GDV



Unit Label



<small>PROPRIETARY</small> THE INFORMATION CONTAINED IN THIS DRAWING IS CONFIDENTIAL AND PROPRIETARY AND REMAINS THE EXCLUSIVE PROPERTY OF AXIOMATIC TECHNOLOGIES CORPORATION. THIS DRAWING MAY NOT BE USED, REPRODUCED IN WHOLE OR IN PART, NOR REVEALED TO OTHERS WITHOUT THE PRIOR WRITTEN CONSENT OF AXIOMATIC TECHNOLOGIES CORPORATION. BY ACCEPTANCE OF THIS DRAWING, THE BEARER AGREES TO THESE CONDITIONS.		<small>AXIOMATIC TECHNOLOGIES CORPORATION 5915 WALLACE ST. MISSISSAUGA, ON CANADA L4Z 1Z8 905-602-9270</small>		TITLE 4 Digital Inputs Controller SAE J1939, Ethernet	
<small>DIMENSIONS ARE IN INCHES UNLESS OTHERWISE SPECIFIED IN DRAWING TOLERANCE ON:</small>	<small>MATERIAL</small> NA	<small>DRAWN</small> EL	<small>DATE</small> 3/9/2020	<small>DWG REV</small> D2	<small>DWG NO</small> AX032150-MD
<small>FABRICATION</small> X.XXX ± 0.015 X.XX ± 0.01 X.X ± 0.1 ANGLES ± 1.0	<small>MACHINING</small> X.XXX ± 0.005 X.XX ± 0.01 X.X ± 0.1 ANGLES ± 1.0	<small>FINISH</small> NA	<small>CHECKED</small> AZ	<small>DATE</small> 3/11/2020	<small>PART REV</small> P1
<small>THIRD ANGLE PROJECTION</small>		<small>TOOL</small> INVENTOR SIZE	<small>APPROVED</small> GDV	<small>DATE</small> 3/11/2020	<small>SCALE</small> 1.25
<small>AXIOMATIC logo</small>				<small>PART NO</small> AX032150	<small>SHEET</small> 1 of 1