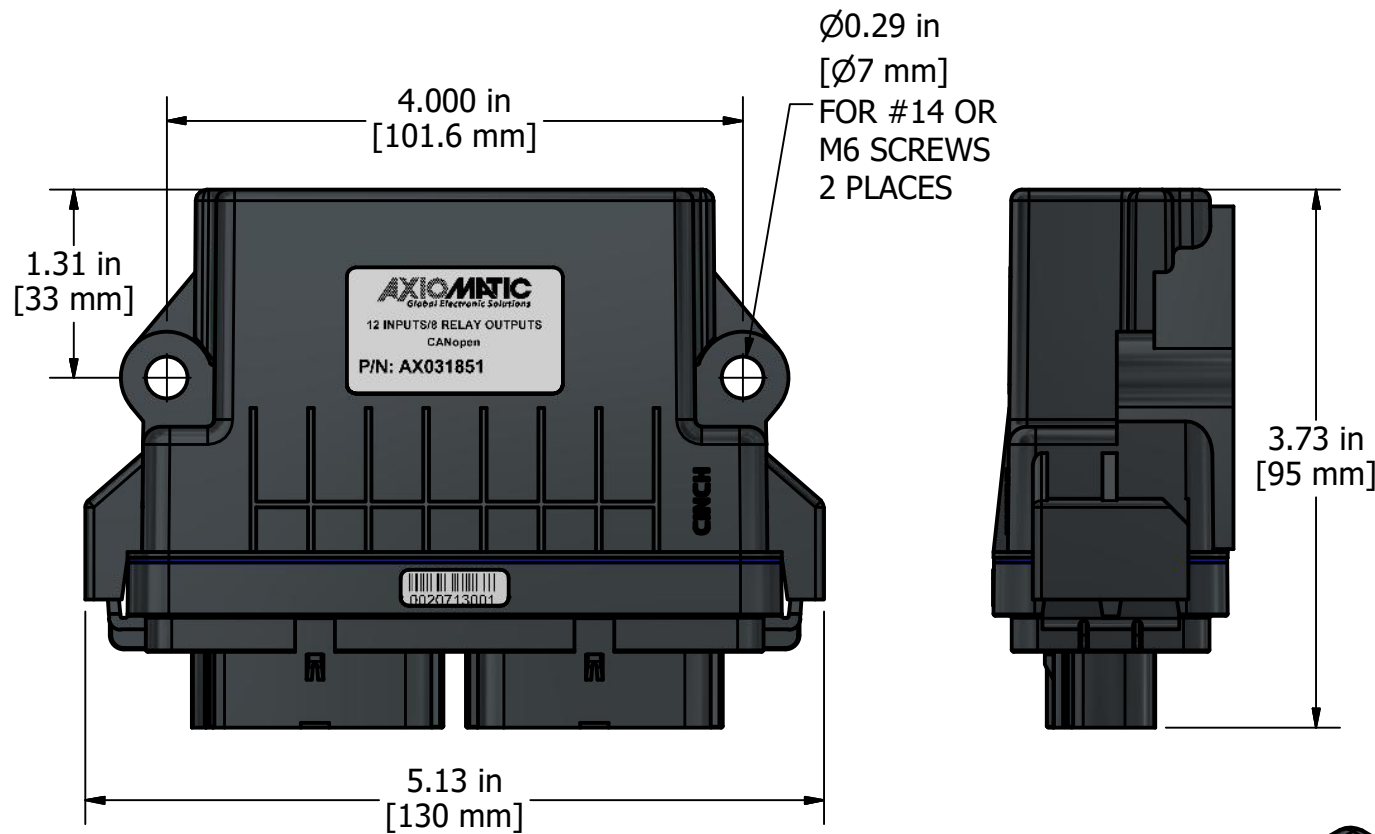
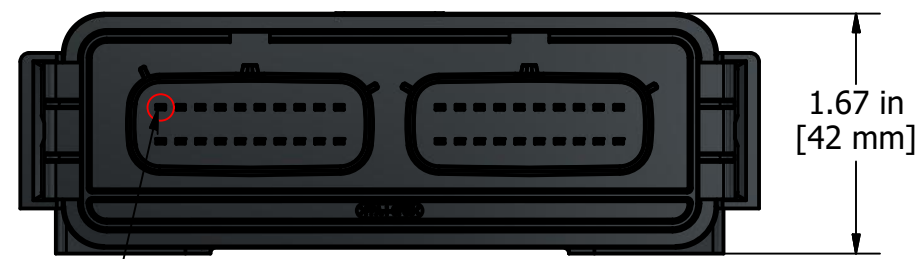


PINOUT DETAILS
SCALE: 1.6

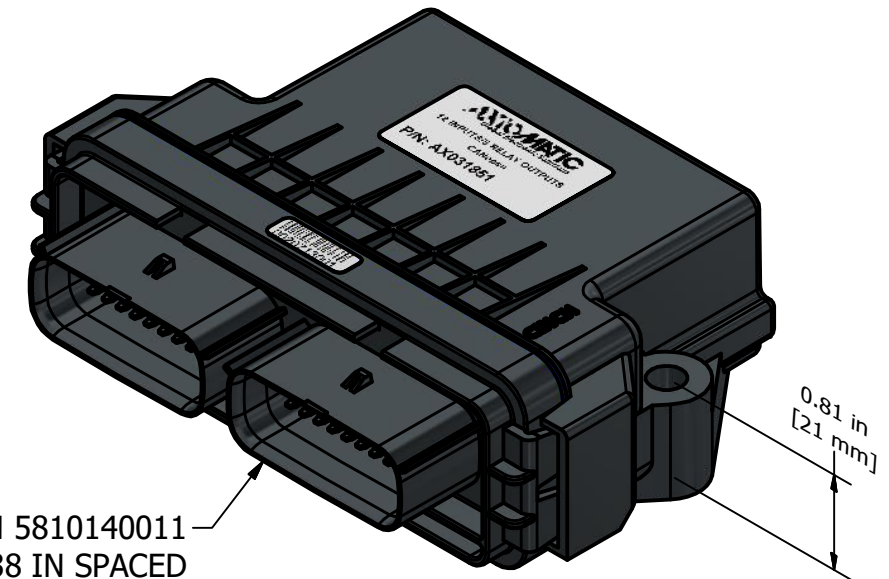
PIN 1
SEE PINOUT DETAILS



UNIT LABEL
SCALE: 2:1



J1 CINCH 5810140011
0.138 IN SPACED
10 AMP PINS



DIMENSIONS ARE IN INCHES UNLESS OTHERWISE SPECIFIED IN DRAWING TOLERANCE ON:		MATERIAL NA		DRAWN AZ	DATE 2019-03-25	TITLE 12 INPUTS, 8 RELAY OUTPUTS CANopen, SAE J1939				
FABRICATION X.XXX ± 0.015 X.XX ± 0.01 X.X ± 0.1 ANGLES ± 1.0	MACHINING X.XXX ± 0.005 X.XX ± 0.01 X.X ± 0.1 ANGLES ± 1.0	FINISH NA	CHECKED GDV	DATE 2019-03-25	DWG REV P1	DWG NO AX031851-MD	PART REV R1	SCALE 0.75	PART NO FG-AX031851	SHEET 1 of 1
		THIRD ANGLE PROJECTION	TOOL INVENTOR SIZE B	APPROVED DATE						

PROPRIETARY
 THE INFORMATION CONTAINED IN THIS DRAWING IS CONFIDENTIAL AND PROPRIETARY AND REMAINS THE EXCLUSIVE PROPERTY OF AXIOMATIC TECHNOLOGIES CORPORATION. THIS DRAWING MAY NOT BE USED, REPRODUCED IN WHOLE OR IN PART, NOR REVEALED TO OTHERS WITHOUT THE PRIOR WRITTEN CONSENT OF AXIOMATIC TECHNOLOGIES CORPORATION. BY ACCEPTANCE OF THIS DRAWING, THE BEARER AGREES TO THESE CONDITIONS.

AXIOMATIC
 Global Electronic Solutions
 AXIOMATIC TECHNOLOGIES CORPORATION
 5915 WALLACE ST.
 MISSISSAUGA, ON
 CANADA L4Z 1Z8
 905-602-9270