

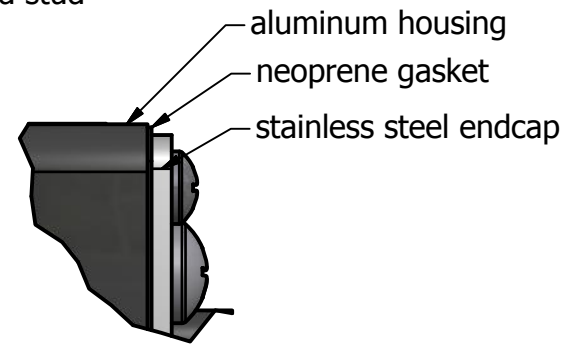
AXIOMATIC
Global Electronic Solutions

DISCRETE I/O MODULE
12 INPUTS/8 OUTPUTS, CANopen

P/N: AX031801
S/N: 21217010

RELAY OUTPUT:
2A @ 277VAC
2A @ 125VAC
2A @ 30VDC

1=DIN1 9=C_5 17=NO_2 25=NC_3 33=DIN12
2=DIN5 10=NO_5 18=NC_6 26=C_3 34=REF
3=DIN9 11=DIN2 19=C_6 27=NO_3 35=NC_4
4=REF 12=DIN6 20=NO_6 28=NC_7 36=C_4
5=NC_1 13=DIN10 21=DIN3 29=C_7 37=NO_4
6=C_1 14=REF 22=DIN7 30=NO_7 38=NC_8
7=NO_1 15=NC_2 23=DIN11 31=DIN4 39=C_8
8=NC_5 16=C_2 24=REF 32=DIN8 40=NO_8



TOLERANCES

	fabrication	machining
X.XXX	+/- 0.015	X.XXX +/- 0.005
X.XX	+/- 0.031	X.XX +/- 0.010
X.X	+/- 0.031	X.X +/- 0.015
fractional	+/- 0.031	fractional +/- 0.031

MATERIAL		DRAWN	DATE	TITLE		
FINISH		TF	6/20/2019	DIO Module, CANopen		
		CHECKED	DATE	DWG REV	DWG NO	PART REV
		APPROVED	DATE	D1	AX031801-MD	2
				SCALE	PART NO	SHEET
				full	AX031801	1 of 1

AXIOMATIC TECHNOLOGIES CORPORATION
5915 WALLACE ST.
MISSISSAUGA, ON
CANADA L4Z1Z8
905-602-9270

DETAIL A

DETAIL B

unit label